

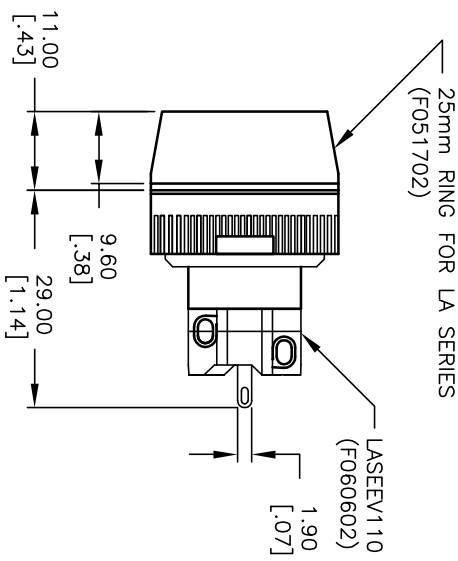
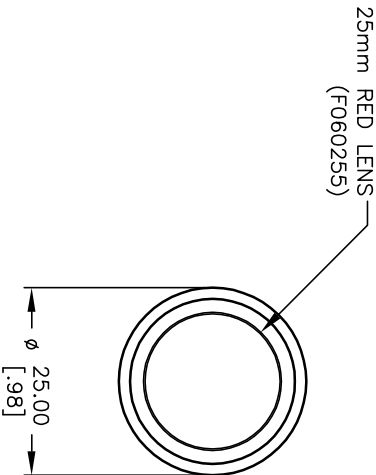
RECOMMENDED PANEL MOUNTING

1 0 1 0 2  
3 0 0 4  
a-L-b (+)

SPST  
CONTACT CONFIGURATION

NOTES:

1. ALL DIMENSIONS IN MM [INCH]
2. GENERAL TOLERANCE: 0.0=±0.4  
0.00=±0.25
3. RATINGS: 250VAC @1A, 2A, 4A, 5A



<p><b>E-SWITCH®</b></p>				<p>TITLE</p>	
<p><b>LASEEV110RED</b></p>				<p>SCALE</p>	
<p>REV. A</p>				<p>1:1</p>	
<p>DATE</p>				<p>8/20/03</p>	
<p>DR</p>				<p>AR</p>	
<p>DWG</p>				<p>XF0257P</p>	
<p>REV</p>				<p>A</p>	
<p>RELEASED FOR PRODUCTION</p>				<p>8/20/03</p>	
<p>DESCRIPTION</p>				<p>AR</p>	
<p>ECN No.</p>				<p>CHKD</p>	
<p>13382</p>				<p>THE INFORMATION CONTAINED IN THIS DOCUMENT IS PROPRIETARY TO E-SWITCH AND IS NOT TO BE COPIED OR TRANSFERRED</p>	