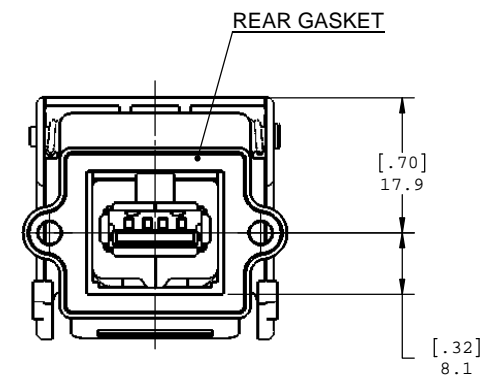
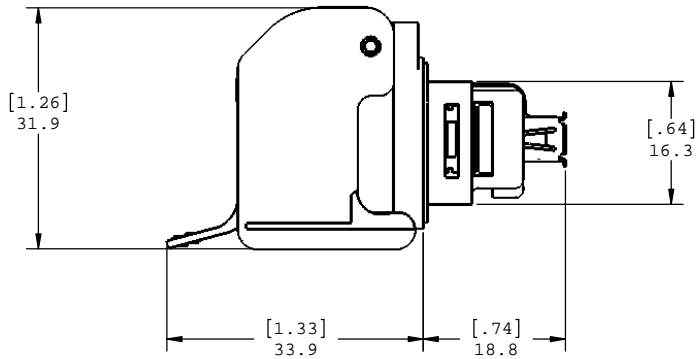
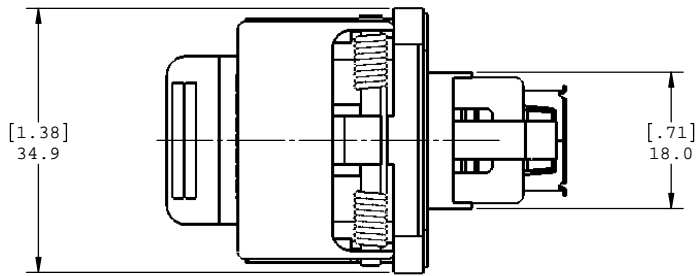
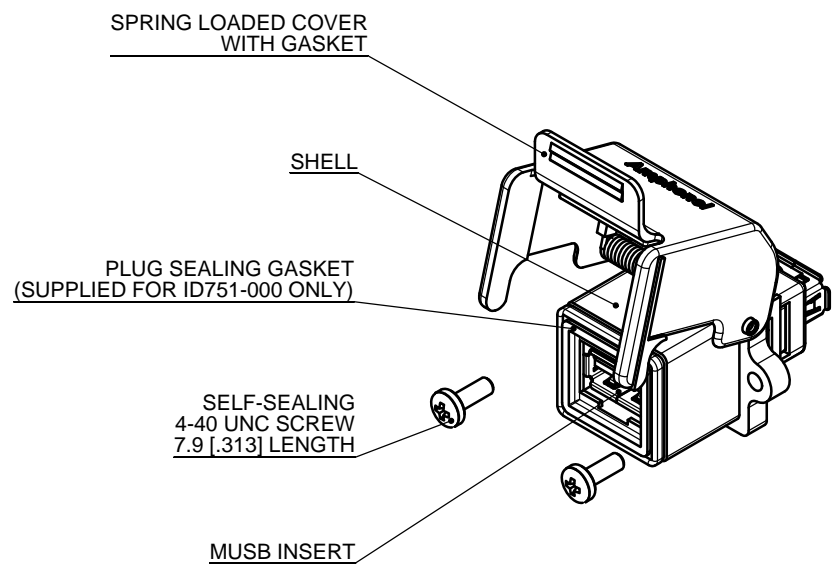


REV	DESCRIPT	DATE	APPRVD



CONNECTOR WITH COVER CLOSED



NOTES:

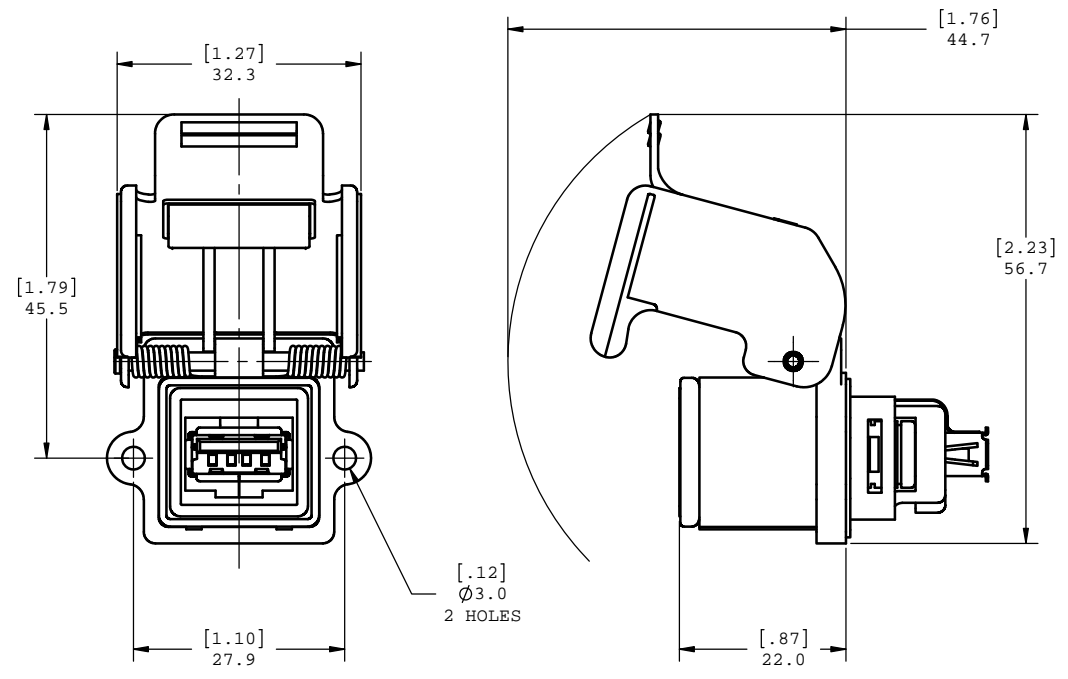
- MATERIAL:**
 - SHELL: ZINC ALLOY DIE CAST, 3 MICRONS [120 μm] MIN NICKEL OVERALL.
 - COVER: ZINC ALLOY DIE CAST, 3 MICRONS [120 μm] MIN NICKEL OVERALL.
 - SCREWS: STAINLESS STEEL.
 - HOUSING: HIGH TEMPERATURE THERMOPLASTIC, GLASS FILLED. FLAMMABILITY RATING UL94V-0, COLOR - BLACK.
 - CONTACTS: COPPER ALLOY.
 - GASKETS: SILICONE RUBBER.
- OPERATING TEMPERATURE: -40°C TO +85°C.
- ENVIRONMENT PERFORMANCE: IP67.
- CONNECTOR IS ROHS COMPLIANT PER EU DIRECTIVE 2002/95/EC AND AMENDMENTS.
- PART NUMBER FOR ORDER IS ID451-000.



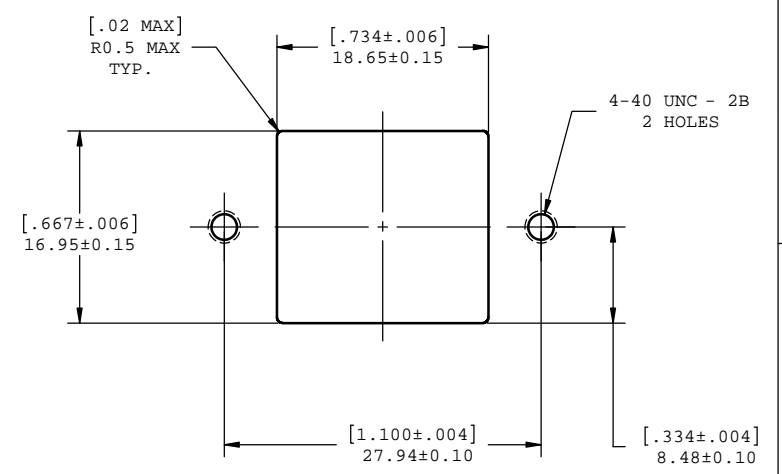
UNLESS OTHERWISE SPECIFIED DIMENSIONS ARE IN MILLIMETER TOLERANCES ARE:		APPROVALS	DATE	Amphenol Canada Corp.	
DECIMALS .XX ±.10 .X ±.25		DRAWN S.SEMENOV	FEB27/07		
ANGLES ± 1°		DESIGNED S.SEMENOV	FEB27/07	TITLE	
MATERIAL AND FINISH		CHECKED		USB RECEPTACLE	
REF.		QA APP'D		SIZE C	DWG. NO. P-ID451-000
CODE IDENT. NO.		IE APP'D		SCALE 2:1	PROJECT ID
		DWG APP'D A.GREEN	FEB27/07	SHEET 1 OF 2	REV. 1C

DO NOT SCALE DRAWING
THIS DOCUMENT CONTAINS PROPRIETARY INFORMATION AND SUCH INFORMATION MAY NOT BE DISCLOSED TO OTHERS FOR ANY PURPOSE OR USED FOR MANUFACTURING PURPOSES WITHOUT PERMISSION FROM AMPHENOL CANADA CORP.

REV	DESCRIP	DATE	APPRVD



CONNECTOR WITH COVER OPENED



PANEL CUTOUT



UNLESS OTHERWISE SPECIFIED DIMENSIONS ARE IN MILLIMETER TOLERANCES ARE:		APPROVALS	DATE	Amphenol Canada Corp.	
DECIMALS .XX ±.10 .X ±.25		DRAWN S.SEMENOV	FEB27/07		
ANGLES ± 1°		DESIGNED S.SEMENOV	FEB27/07	TITLE	
MATERIAL AND FINISH		CHECKED		USB RECEPTACLE	
REF.		QA APP'D			
CODE IDENT. NO.		IE APP'D			
		DWG APP'D A.GREEN	FEB27/07	SIZE C	DWG. NO. P-ID451-000
				SCALE 2:1	PROJECT ID
					REV. 1C
					SHEET 2 OF 2

DO NOT SCALE DRAWING
 THIS DOCUMENT CONTAINS PROPRIETARY INFORMATION AND SUCH INFORMATION MAY NOT BE DISCLOSED TO OTHERS FOR ANY PURPOSE OR USED FOR MANUFACTURING PURPOSES WITHOUT PERMISSION FROM AMPHENOL CANADA CORP.