

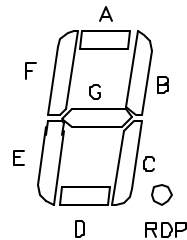
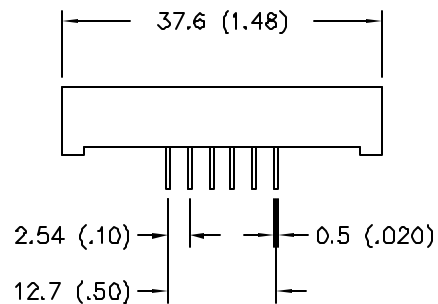
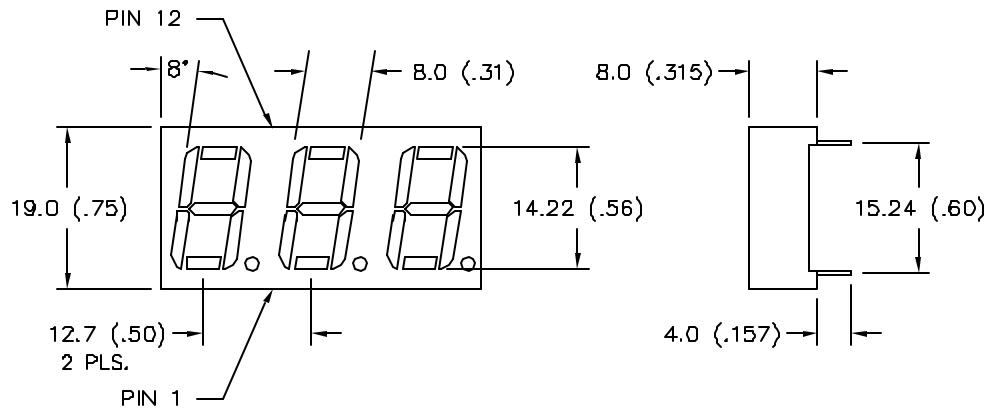
DATE

REVISIONS

REV

DRAWING NUMBER
LDT-M512RI

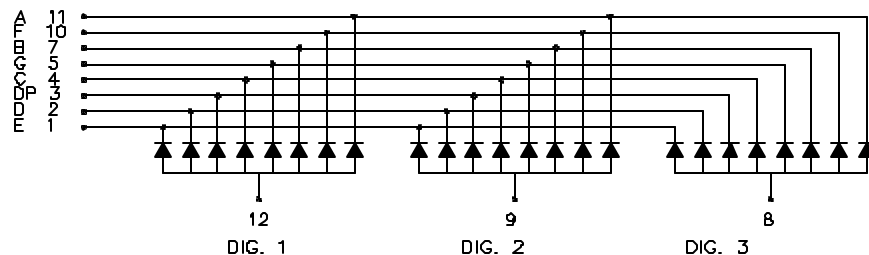
REV

ELECTRO-OPTICAL CHARACTERISTICS $T_A = 25^\circ\text{C}$ $I_f = 20\text{mA}$

PARAMETER	MIN	TYP	MAX	UNITS	TEST COND
PEAK WAVELENGTH		565 (GREEN)		nm	
FORWARD VOLTAGE		2.1	2.8	V_f	
REVERSE VOLTAGE	5.0			V_r	$I_r = 100\ \mu\text{A}$
AXIAL INTENSITY		3900		ucd	$I_f = 10\ \text{mA}$
EMITTED COLOR	GREEN				
EPOXY LENS FINISH	WHITE				
FONT COLOR	GRAY				

LIMITS OF SAFE OPERATION AT 25°C (PER CHIP)

PARAMETER	MAX	UNITS
PEAK FORWARD CURRENT*	150	mA
STEADY CURRENT	25	mA
POWER DISSIPATION	105	mW
DERATE FROM 25°C	-1.2	$\text{mW}/^\circ\text{C}$
OPERATING, STORAGE TEMP	-40 TO +85	$^\circ\text{C}$
LEAD SOLDERING TEMP	+260	$^\circ\text{C}$
2.0mm FROM BODY		3 SEC. MAX

* $t < 10\ \mu\text{s}$ COMMON ANODE NOTE: θ (NP)

LUMEX
OPTO COMPONENTS INC.

292 E. HELLEN ROAD
PALATINE, ILLINOIS 60067
(708) 359-2790

CONFIDENTIAL INFORMATION
THE INFORMATION CONTAINED IN THIS DOCUMENT IS THE PROPERTY OF LUMEX OPTO/COMPONENTS, INC. EXCEPT AS SPECIFICALLY AUTHORIZED IN WRITING BY LUMEX OPTO/COMPONENTS, INC., THE HOLDER OF THIS DOCUMENT SHALL KEEP ALL INFORMATION CONTAINED HEREIN CONFIDENTIAL AND SHALL PROTECT SAME IN WHOLE OR IN PART FROM DISCLOSURE AND DISSEMINATION TO ALL THIRD PARTIES.

DATE: 4-29-96

DWN:

CHK'D:

APPD:

SCALE: N/A

TRIPLE DIGIT SEVEN SEGMENT DISPLAY,
GREEN, COMMON ANODE

PAGE 1 OF 1

DRAWING NUMBER
LDT-M512RI

REV

MS/DC