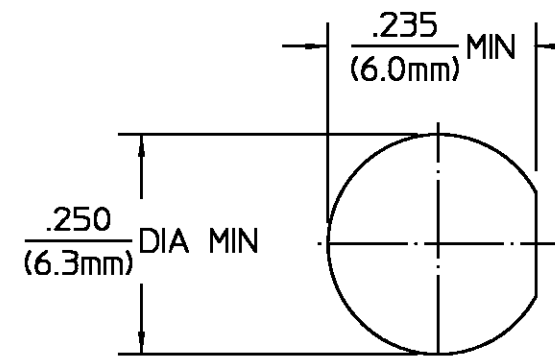


REVISIONS			
REV	DESCRIPTION	DATE	APPROVED
010	RELEASED	3/9/95	<i>DCornell</i>



RECOMMENDED  
MOUNTING HOLE

**DESIGN CONTROL REQUIRED**

ELECTRICAL	MECHANICAL	ENVIRONMENTAL	HOUSING	MATERIAL	FINISH
Nominal Impedance (Ohms) <u>50</u>	Interface Dimensions MIL-STD-348A, Fig. 310.2 BOTH ENDS	Temperature Rating <u>-65°C to +125°C</u>	STAINLESS STEEL PER ASTM-A484 AND ASTM- A582, TYPE 303	GOLD PLATE PER MIL-G-45204	
Frequency Range (GHz) DC to <u>18</u>	Recommended Mating	Vibration MIL-STD-202, Method 204, Condition D.	TFE FLUOROCARBON PER ASTM-D-1457	N/A	
Volt Rating (VRMS MAX) @ Sea Level <u>335</u>	Torque <u>N/A</u>	Shock MIL-STD-202, Method 213, Condition I.	BERYLLIUM COPPER PER ASTM B 196, ALLOY C17300, CONDITION H	GOLD PLATE PER MIL-G-45204	
VSWR <u>1.05 ±.005</u>	Mating Characteristics:	Thermal Shock MIL-STD-202, Method 107, Condition C, except high temp shall be +115°C.			
Insertion Loss (dB MAX) <u>.03 √f(GHz)</u>	Insertion (MAX Lbs) <u>3.0</u>	Moisture Resistance MIL-STD-202, Method 106			
RF Leakage (dB MIN) <u>60 @ 2 to 3 GHz</u>	Withdrawal (MIN Oz) <u>1.0</u>	Corrosion - MIL-STD-202, Method 101, Condition B, 5% salt spray			
Corona, 70,000 Ft (VRMS MIN) <u>250</u>	Force to Engage and Disengage (In-Lbs MAX) <u>2.0</u>				
Dielectric Withstanding Voltage (VRMS MIN) @ Sea Level <u>1,500</u>	Center Contact Captivation				
Contact Resistance (Milliohms MAX)	Axial (Lbs) <u>6.0</u>				
Center Contact <u>4.0</u>	Radial (In-Oz) <u>4.0</u>				
Outer Contact <u>2.0</u>	Cable Retention				
Cable to Housing <u>N/A</u>	Axial Force (Lbs) <u>N/A</u>				
RF High Potential @ Sea Level	Torque (In-Oz) <u>N/A</u>				
(VRMS MIN @ 5 MHz) <u>670</u>	Weight (Grams) <u>3.8</u>				
LR.(Megohms MIN) <u>5,000</u>					
UNLESS OTHERWISE SPECIFIED DIMENSIONS ARE IN INCHES TOLERANCE ON			DRAWN BY <i>DCornell</i> DATE 3/9/95		
FRAC. DEC. ANGLES ± 1/64 ±.005 ± °			CHECKED BY <i>DCornell</i>		
These drawings and specifications are the property of M/A-COM Incorporated and shall not be reproduced or copied or used in whole or in part as the basis for the manufacture or sale of item(s) without written permission.			APPD BY <i>DCornell</i> DATE 3/9/95		
USE ASS'Y PROCEDURE			AMP Incorporated 140 Fourth Avenue Waltham, MA 02451-7599		
NO. AP. <u>N/A</u>			TITLE OSM BULKHEAD FEEDTHROUGH JACK TO JACK ADAPTER		
SIZE B		CODE IDENT NO. 26805	1250-1251-00		REV 010
SCALE 5:1		SHEET 1 OF 1			

CUSTOMER DRAWING

AMP PART # 1046248-1  
SHEET 1 OF 1 REV A