

Model L2 S Series

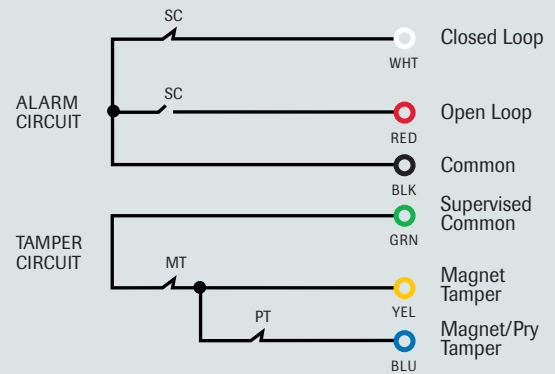
HSS PART NUMBERING SYSTEM L2S-XXX

Single Alarm Contact Either Closed or Open Loop, with Tamper Circuit, Closed Loop.

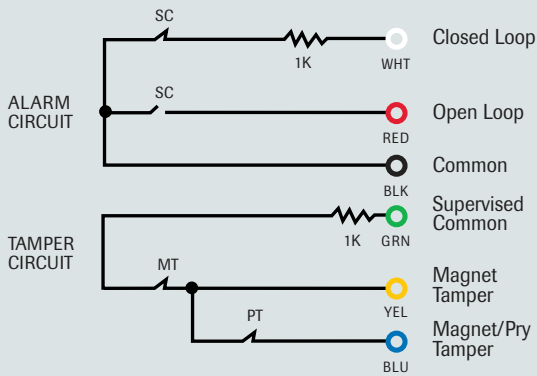
All Circuits Shown with Magnet Actuator in Secure Position.

For Built-in EOL Resistor Configurations and Values not Shown. Contact Magnasphere Corp.

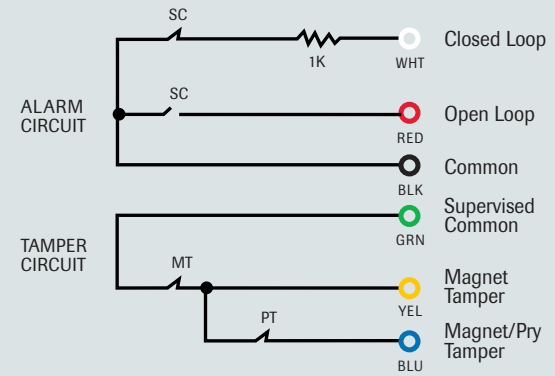
Model L2S-000



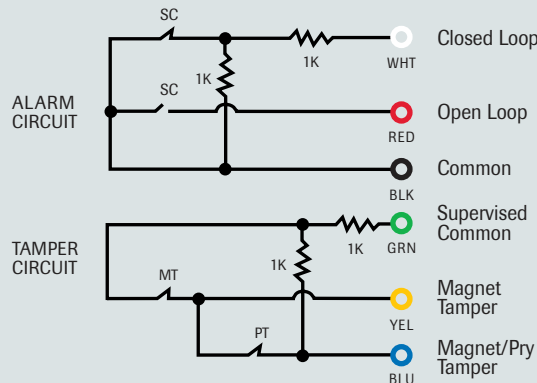
Model L2S-001



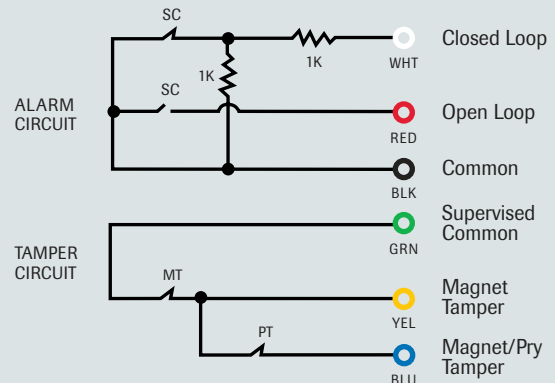
Model L2S-003



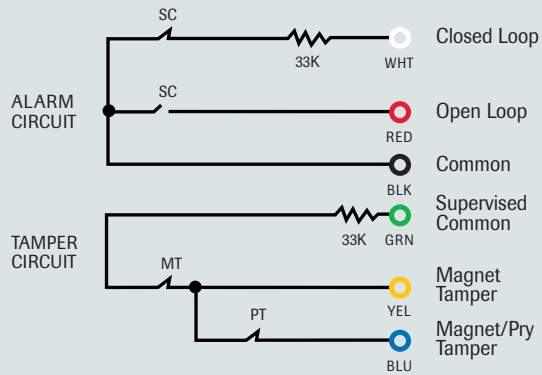
Model L2S-002



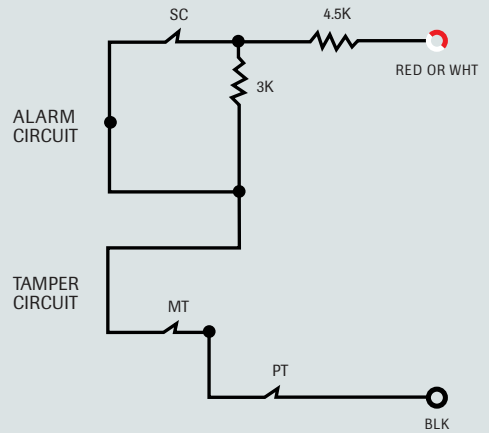
Model L2S-004



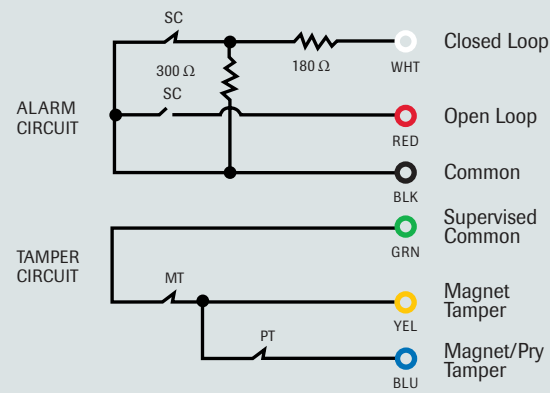
Model L2S-005



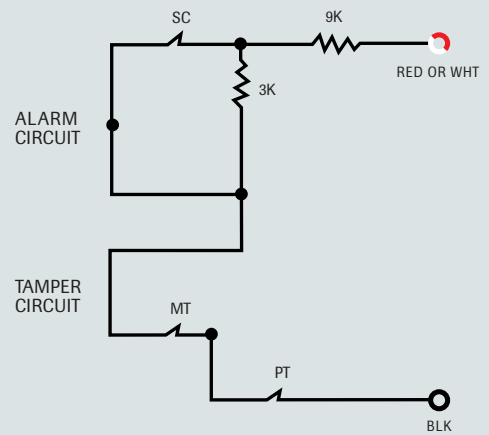
Model L2S-008



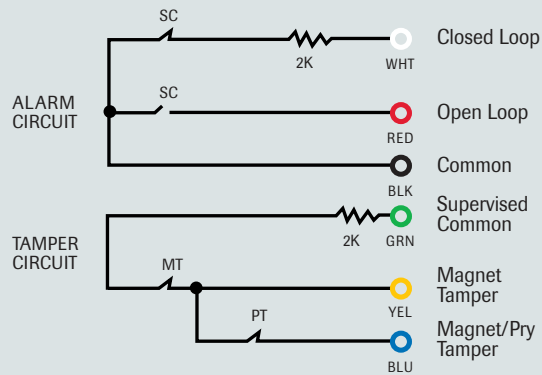
Model L2S-006



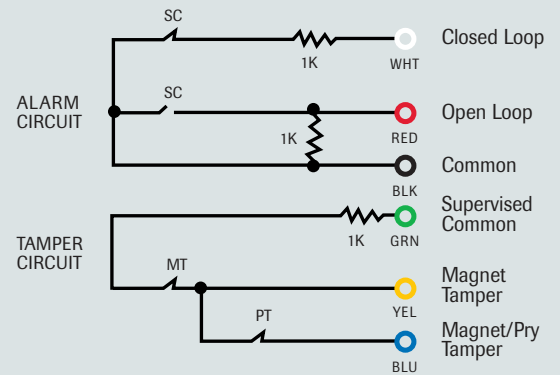
Model L2S-009



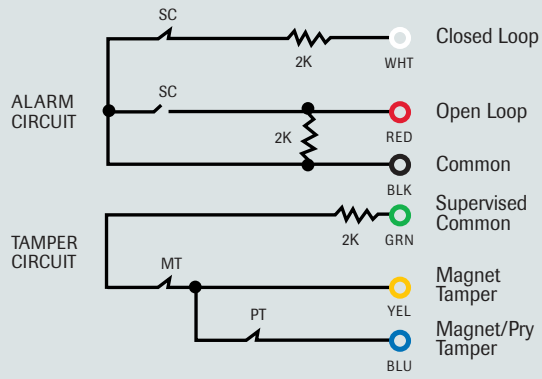
Model L2S-007



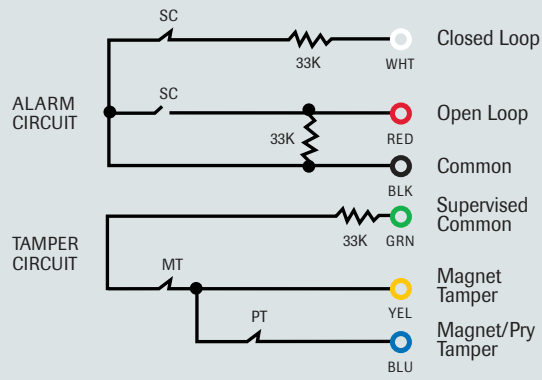
Model L2S-011



Model L2S-012



Model L2S-013



Model L2S-014

