



ACP-12 SERIES

IP68 SEALED 12 mm CABLE ASSEMBLY

SPECIFICATIONS

For complete specifications see www.samtec.com?ACP-12

- Insulator Material:** Thermoplastic
- Terminal Material:** Brass
- Contact Material:** Brass/BeCu
- Plating:** Au over 50 μ" (1.27 μm) Ni
- Operating Temp Range:** -40 °C to +80 °C
- Housing:** -P: Black Nylon
-M: Zinc Alloy
- Cable Jacket:** TPU
- RoHS Compliant:** Yes

Mates with:
ACR-12, ACRK-12



- Easy sealed cable solutions
- Build a standard or flexible custom online
- Calculate performance, current rating, voltage drop
- Live chat with AccliMate™ engineers for custom options
- Variety of shells, pin sizes, signal, power, I/O interfaces
- Assembly and field kits available



ALSO AVAILABLE (MOQ Required)

- Other assembly lengths
- Contact Samtec.

CURRENT RATING		
LEAD STYLE	PINS POWERED	CCC per PIN
-01	4	3.8 A
-02	5	3.6 A
-05	2 (plus 4 signal pins powered @ 1.2 A)	5.0 A

For general reference only. See www.samtec.com?ACP-12 for complete test data or contact AccliMate@samtec.com for applications requiring higher current carrying capacity.

ACP - 12 - LEAD STYLE - PLATING - LENGTH - END 1 - END 2 - HOUSING MATERIAL - KEYING OPTIONS

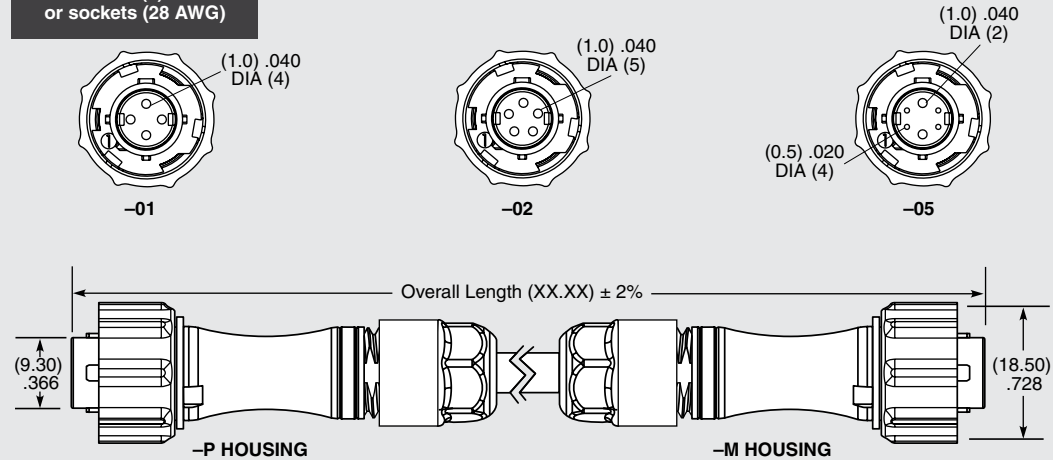
<p>-01 = 1.0 mm DIA (4) terminals or sockets (24 AWG)</p> <p>-02 = 1.0 mm DIA (5) terminals or sockets (24 AWG)</p> <p>-05 = 1.0 mm DIA (2) terminals or sockets (24 AWG) + 0.5 mm DIA (4) terminals or sockets (28 AWG)</p>	<p>-G = 10 μ" (0.25 μm) Gold over 50 μ" (1.27 μm) Ni on contact</p>	<p>-“XX.XX” = Length in meters (00.25 m min. to 50.00 m max.) Standard lengths</p>	<p>-T = Terminal</p> <p>-S = Socket (N/A with End 2 -T)</p>	<p>-T = Terminal</p> <p>-S = Socket</p> <p>-BC = Blunt Cut</p>	<p>-P = Plastic</p> <p>-M = Metal</p>	<p>-1 = Orange, 45°</p>
---	--	---	---	---	---	------------------------------------

DUST CAPS

- DCA-ACP-12-M-X (Metal)
- DCA-ACP-12-P-X (Plastic)



- Visit sealedio.samtec.com for a complete list of sealed systems



Note: Some lengths, styles and options are non-standard, non-returnable.