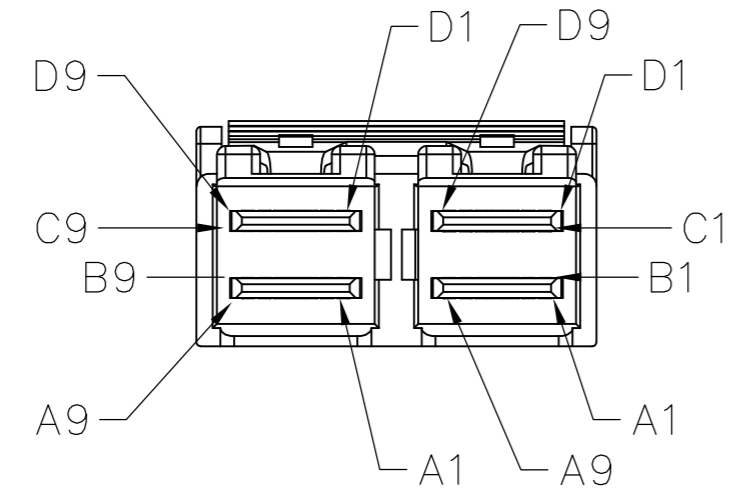
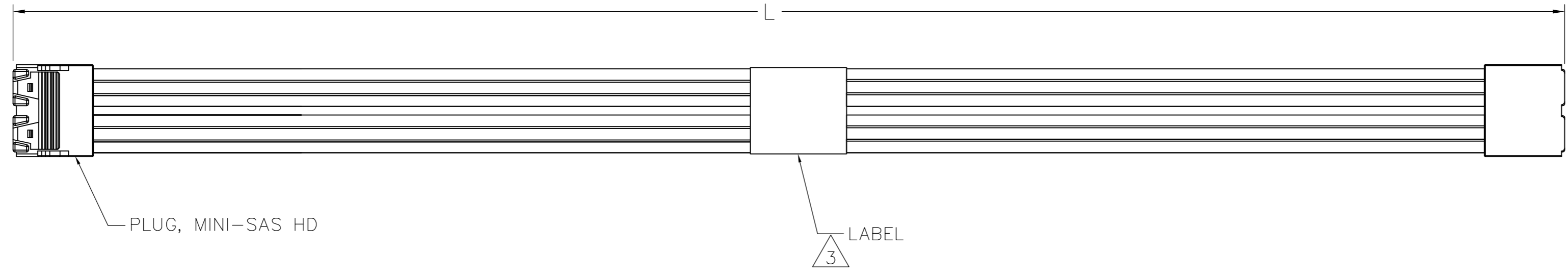
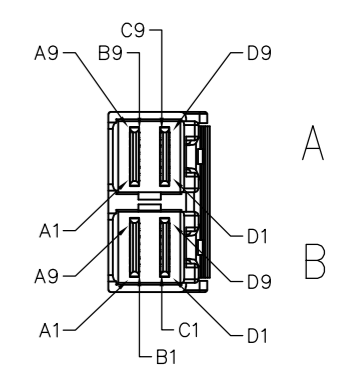
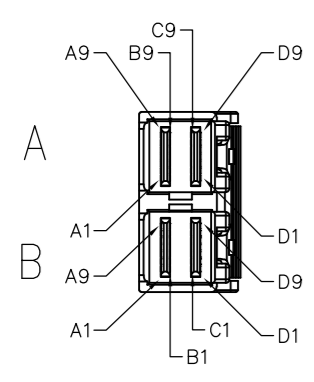
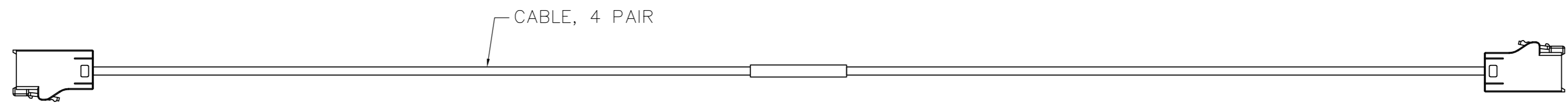


THIS DRAWING IS UNPUBLISHED. RELEASED FOR PUBLICATION  
 © COPYRIGHT - By - ALL RIGHTS RESERVED.

LOC		DIST		REVISIONS			
GP	00	P	LTR	DESCRIPTION	DATE	DWN	APVD
		A		INITIAL RELEASE	07JUL2015	MY	GG



- ASSEMBLY TO BE 100% TESTED FOR CONTINUITY, SHORTS, AND OPENS, CABLES ASSEMBLYS ARE ALSO TO BE 100% TESTED FOR SIGNAL INTEGRITY, TO SAS 3.0 REQUIREMENTS.
- ROHS AND REACH COMPLIANCE: PRODUCT AND PROCESSING MEETS REQUIREMENTS OF TE SPECIFICATION TEC-138-702.

3 LABEL CENTERED AND LABEL INFORMATION AS BELOW:

	TE LOGO AND P/N
2820338-[ ]	LENGTH
METERS	COUNTRY OF ORIGIN
MADE IN	YYWW IS DATE CODE, SSSS IS SERIAL
YYWSSSS	BAR FOR YYWSSSS

4. SEE SHEET #2 FOR WIRING SCHEMATIC.

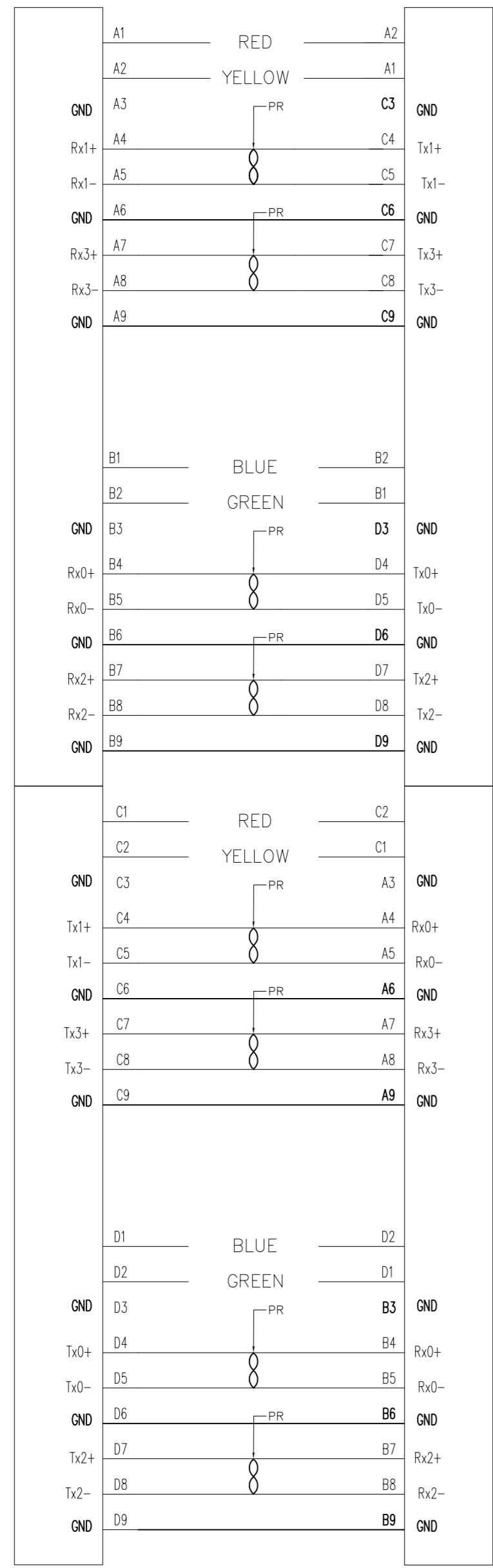
500	+25 -0	2820338-2
300	+25 -0	2820338-1
"L"[MM]		TE P/N

THIS DRAWING IS A CONTROLLED DOCUMENT.		DWN	16/JUN/2014	TE Connectivity C/A, INTERNAL HD MINI SAS, STR TO STR 100 OHMS, 8X, NON HALOGEN			
DIMENSIONS:		CHK	16/JUN/2014				
mm		APVD	16/JUN/2014				
TOLERANCES UNLESS OTHERWISE SPECIFIED:		PRODUCT SPEC					
0 PLC ± -		APPLICATION SPEC		SIZE	CAGE CODE	DRAWING NO	RESTRICTED TO
1 PLC ± -				A2	00779	C=2820338	
2 PLC ± -				CUSTOMER DRAWING		SCALE	SHEET
3 PLC ± -						N.T.S.	1 of 2
4 PLC ± -							REV
ANGLES ± -							A
FINISH							

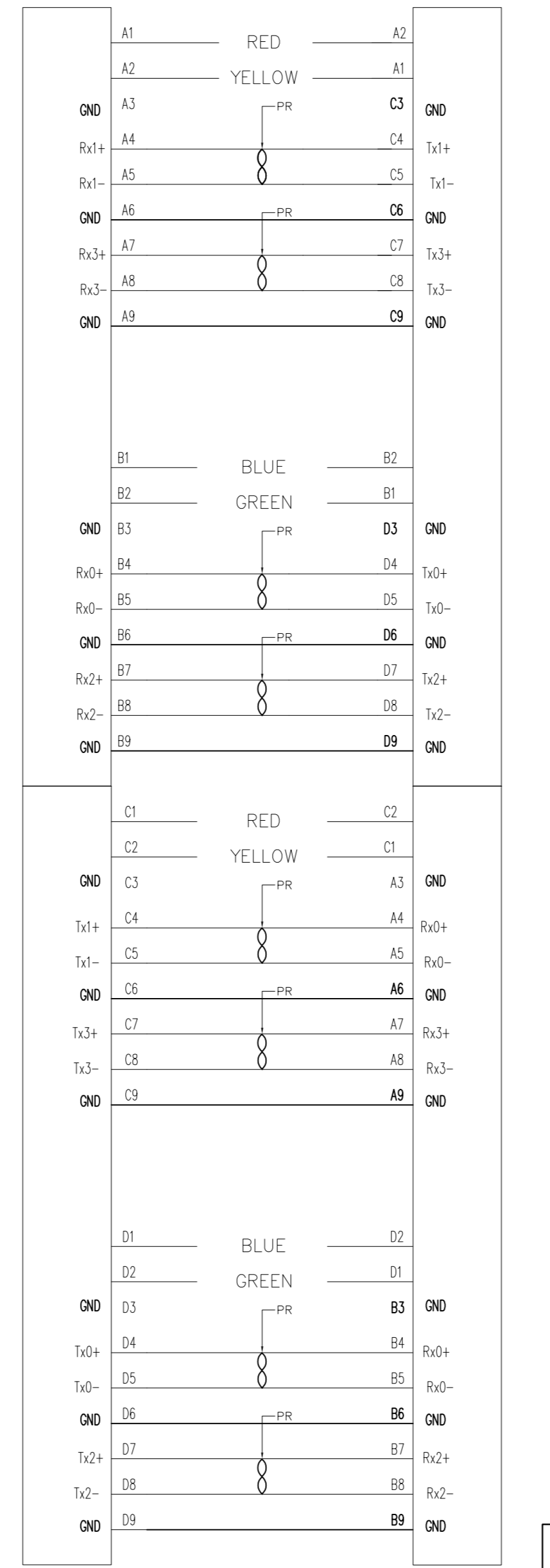
THIS DRAWING IS UNPUBLISHED. RELEASED FOR PUBLICATION  
 © COPYRIGHT - By - ALL RIGHTS RESERVED.

LOC	DIST	REVISIONS					
GP	00	P	LTR	DESCRIPTION	DATE	DWN	APVD
		-	-	SEE SHEET 1	-	-	-

P1-A P2-A



P1-B P2-B



WIRING PATTERN

THIS DRAWING IS A CONTROLLED DOCUMENT.		DWN	16/JUN/2014	 TE Connectivity			
DIMENSIONS: mm		CHK	16/JUN/2014				
TOLERANCES UNLESS OTHERWISE SPECIFIED:		APVD	16/JUN/2014				
0 PLC ± - 1 PLC ± - 2 PLC ± - 3 PLC ± - 4 PLC ± - ANGLES ± -		NAME	C/A, INTERNAL HD MINI SAS, STR TO STR 100 OHMS, 8X, NON HALOGEN				
MATERIAL	FINISH	WEIGHT	SCALE	SIZE	CAGE CODE	DRAWING NO	RESTRICTED TO
-	-	-	N.T.S.	A2	00779	C=2820338	-
CUSTOMER DRAWING				SCALE	SHEET	REV	
				N.T.S.	2 of 2	A	

2820338