



Test Procedure for the LM2596ADPBACKGEVB – LM2596 3A BUCK DEMO BD

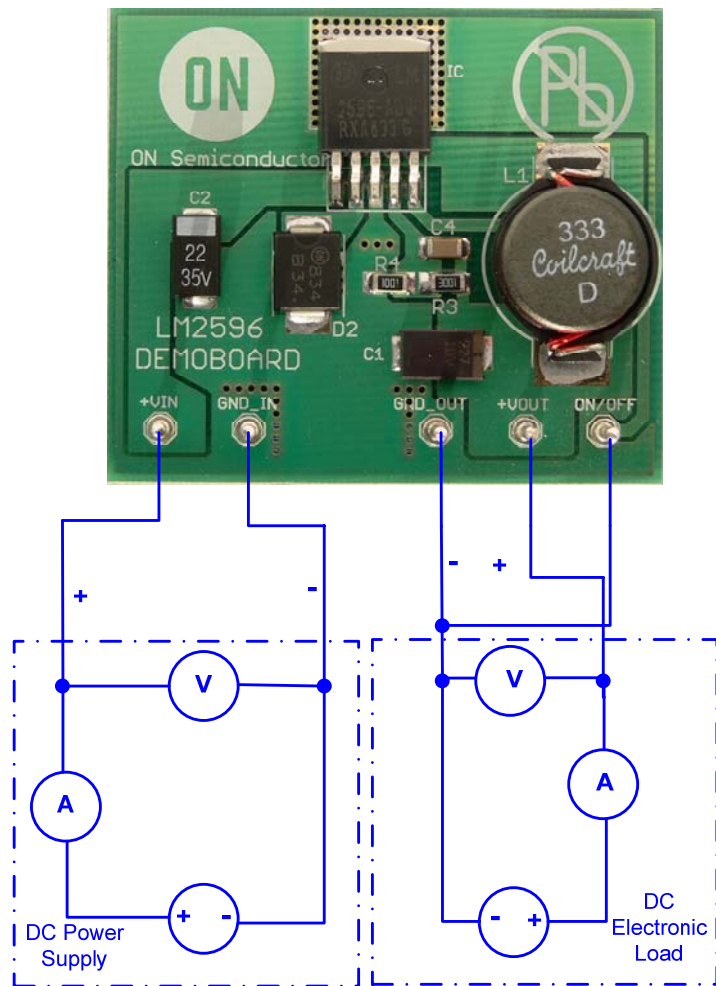


Figure 1. Test Setup

The following steps detail the test procedure for all these boards:

Required Equipment:

- Current limited DC Power Supply (e.g. AGILENT 6653A) ... 1pc
- DC Volt-Meter able to measure up to 15 V DC (e.g. KEITHLEY 2000) ... 2pcs
- DC Amp-Meter able to measure up to 2 A DC (e.g. KEITHLEY 2000) ... 2pcs
- DC Electronic Load (e.g. AGILENT 6060B) ... 1pcs

ON Semiconductor



Test Procedure:

1. Connect the test setup as shown in Figure 1.
2. Disable loads = 0 A.
3. Apply an input voltage, $V_{in} = 12V$ DC.
4. Check, if $V_{out} = 5 V$ DC
5. Enable loads up to 3 A.
6. Check, if $V_{out} = 5 V$ DC
7. If yes, test passed successfully.
8. Power down the load.
9. Power down V_{in} .
10. End of test.