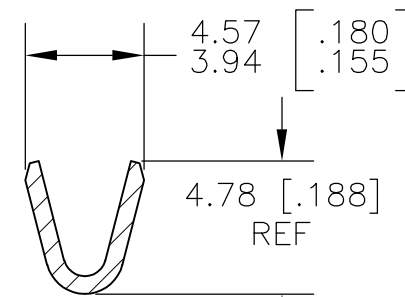
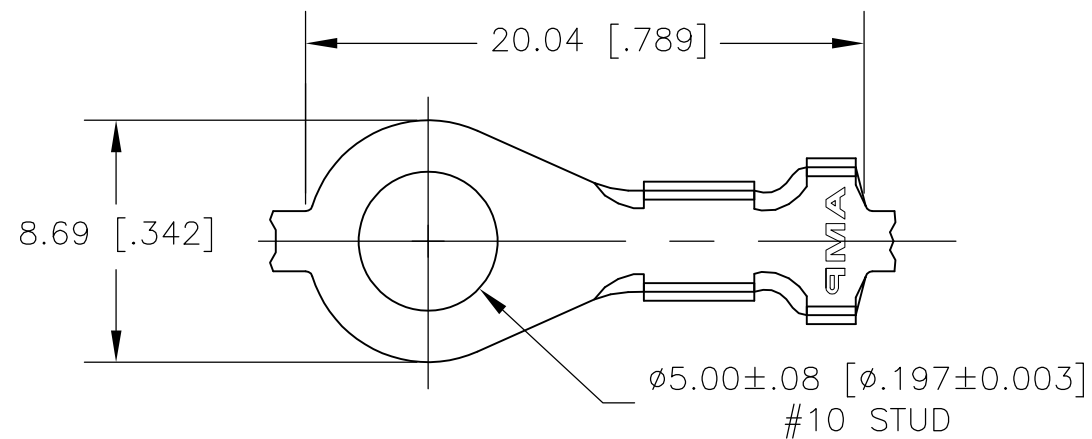


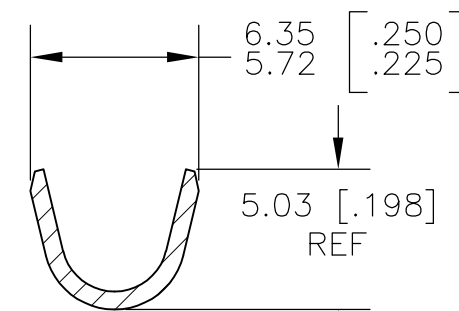
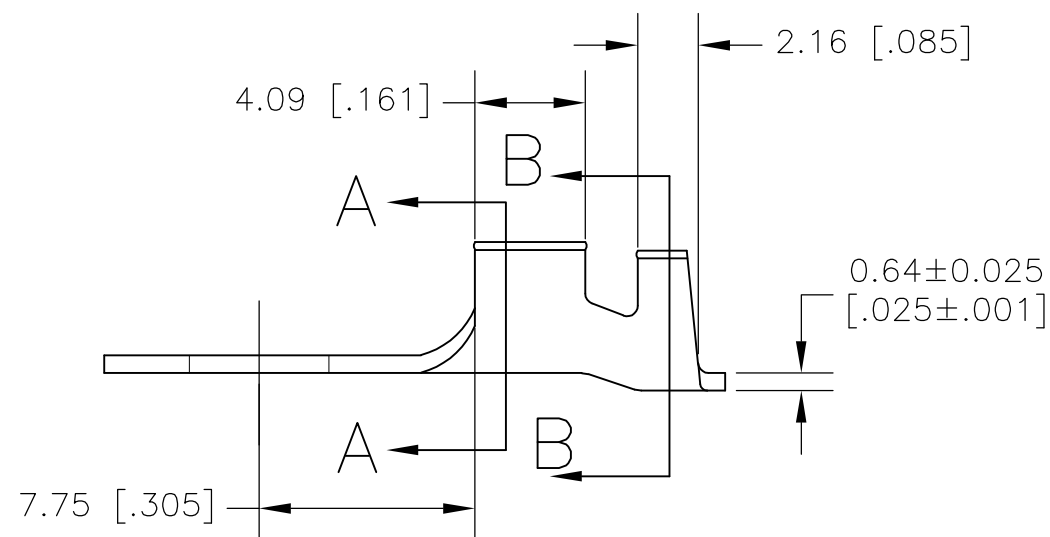
THIS DRAWING IS UNPUBLISHED. RELEASED FOR PUBLICATION
 © COPYRIGHT BY TYCO ELECTRONICS CORPORATION. ALL RIGHTS RESERVED.

LOC	DIST	REVISIONS			
P	LTR	DESCRIPTION	DATE	DWN	APVD
AF	50				
		E	REVISED PER ECR-10-006099	07JUL10	HMR PD

- CONTINUOUS STRIP ON REELS AT 21.72±0.13 [.855±.005] FEED.
- WIRE SIZE IS [18-14] AWG.
- INSULATION RANGE IS 3.05-4.06 [.120-.160] DIA.



SECTION A-A



SECTION B-B

TIN	60744-2
-	60744-1
FINISH	PART NO.

THIS DRAWING IS A CONTROLLED DOCUMENT.		DWN	JR RUTH	15NOV00	 Tyco Electronics Corporation Harrisburg, PA 17105-3608
DIMENSIONS: mm [INCHES]		CHK	MS FEHER	17NOV00	
		APVD	D DECKER	17NOV00	
TOLERANCES UNLESS OTHERWISE SPECIFIED:		PRODUCT SPEC		NAME	
0 PLC ± - 1 PLC ± - 2 PLC ± 0.38 [.015] 3 PLC ± - 4 PLC ± - ANGLES ± -		APPLICATION SPEC		RING	
MATERIAL	1/2 HD BRASS	FINISH	SEE TABLE	WEIGHT	-
CUSTOMER DRAWING				SIZE	A3
				CAGE CODE	00779
				DRAWING NO	C-60744
				RESTRICTED TO	-
				SCALE	4:1
				SHEET	1 of 1
				REV	E