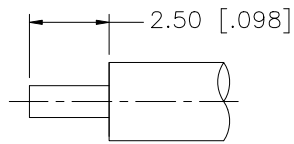
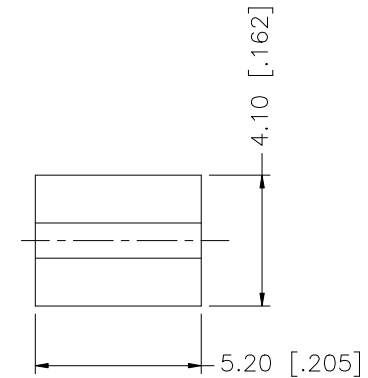
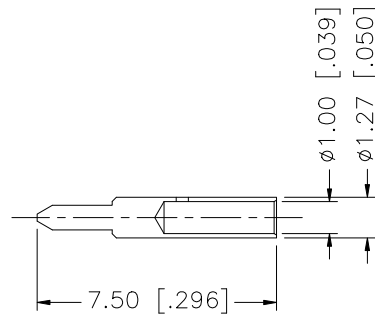
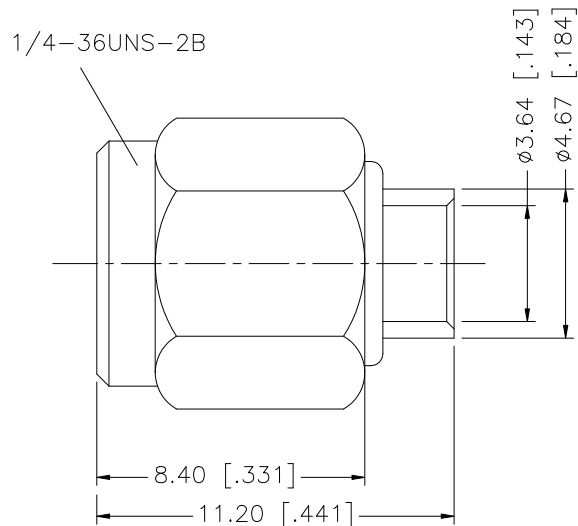


REV.	DATE	DESCRIPTION
A	06/24/96	ADD CONTACT PIN AND FERRULE
B	11/02/05	UPDATE DRAWING FORMAT
C	06/18/07	ADD COUPLING NUT TO PARTS LIST



RECOMMENDED CABLE STRIPPING DIMENSIONS



UNLESS OTHERWISE SPECIFIED DIMENSIONS ARE IN MILLIMETERS. DIMENSIONS IN [] ARE IN INCHES AND FOR CUSTOMER REFERENCE ONLY.

UNLESS OTHERWISE SPECIFIED TOLERANCES FOR MILLIMETERS ARE:
0.5 - 8mm ± 0.20mm
8 - 30mm ± 0.40mm
30 - 120mm ± 0.50mm

UNLESS OTHERWISE SPECIFIED TOLERANCES FOR INCHES ARE:
.020 - .315 = ± 0.007"
.315 - 1.180 = ± 0.015"
1.180 - 4.724 = ± 0.020"

DO NOT SCALE DRAWING

APPROVALS		DATE
DRAWN	G.R.S.	06/18/07
CHECKED		
ISSUED		
SHEET	1 OF 1	
CAD FILE	C:/132/132200.DWG	

Amphenol Connex

PART DESCRIPTION		SMA SEMI-RIGID PLUG PASSIVATED S.S. (FOR .141" CABLE)		
PART NO.		132200		
DWG. NO.	132200.DWG	REV.	C	SCALE
			A	

DESCRIPTION	MATERIAL	FINISH	QTY
CONTACT PIN	BRASS	GOLD	1
INSULATOR	TEFLON	NATURAL	1
BODY	PASSIVATED S.S.	S.S.	1
COUPLING NUT	PASSIVATED S.S.	S.S.	1