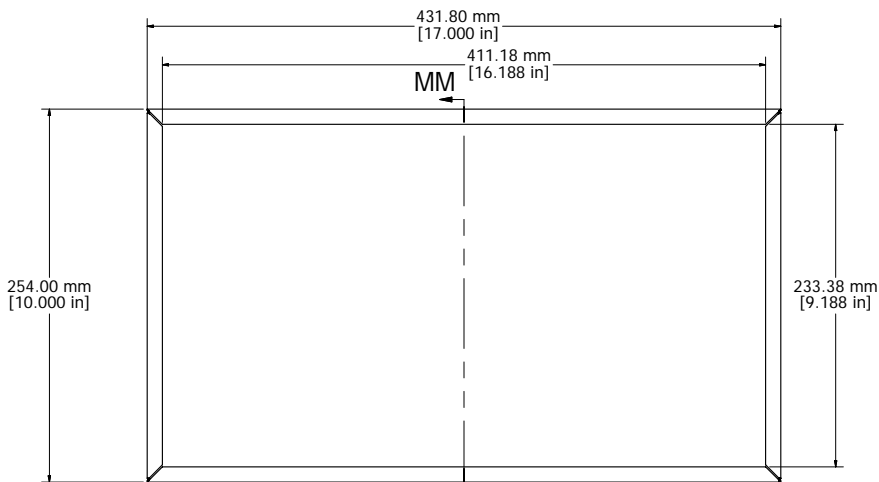
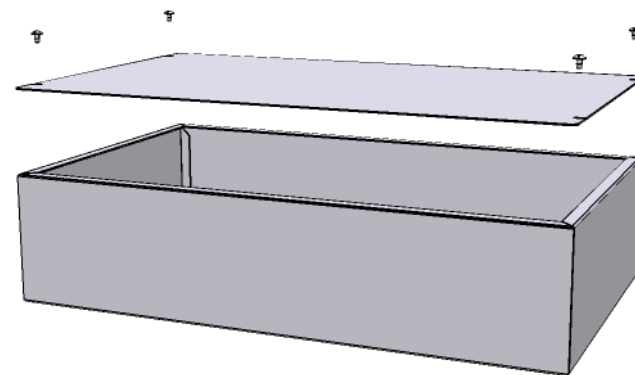
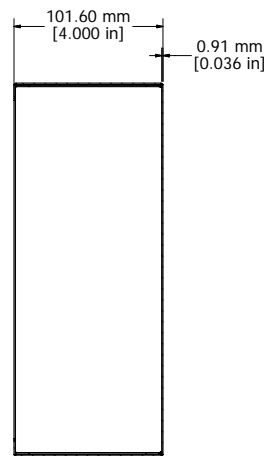


1431-30 OR 1431-30BK3 - VIEW FROM TOP (SOLD SEPERATELY)



1441-33 OR 1441-33BK3 - VIEW FROM TOP (SOLD SEPERATELY)



SECTION MM-MM

- CHASIS - 0.036" 20 GAUGE STEEL - ASA 61 GREY - 1441-33
- COVER - 0.036" 20 GAUGE STEEL - ASA 61 GREY - 1431-30
- CHASIS - 0.036" 20 GAUGE STEEL - BLACK - 1441-33BK3
- COVER - 0.036" 20 GAUGE STEEL - BLACK - 1431-30BK3
- SCREWS (6-32 x 1/4 SHEET METAL SCREWS) (SOLD SEPERATELY) - 1421J6

Contact Factory mjm@hammondmfg.com for quotes
 Enclosures can be Factory Modified (Milling, Drilling, Printing etc.)
 Solid models of this enclosure available in STEP or IGES.



**HAMMOND
 MANUFACTURING™**

1441-33

www.hammondmfg.com