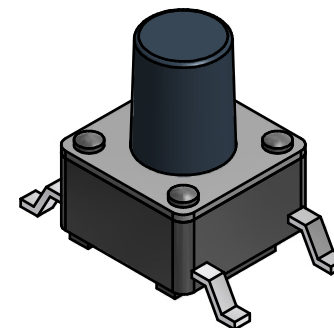
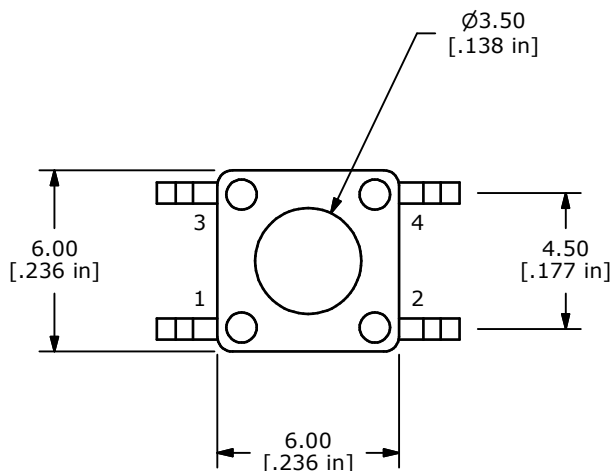
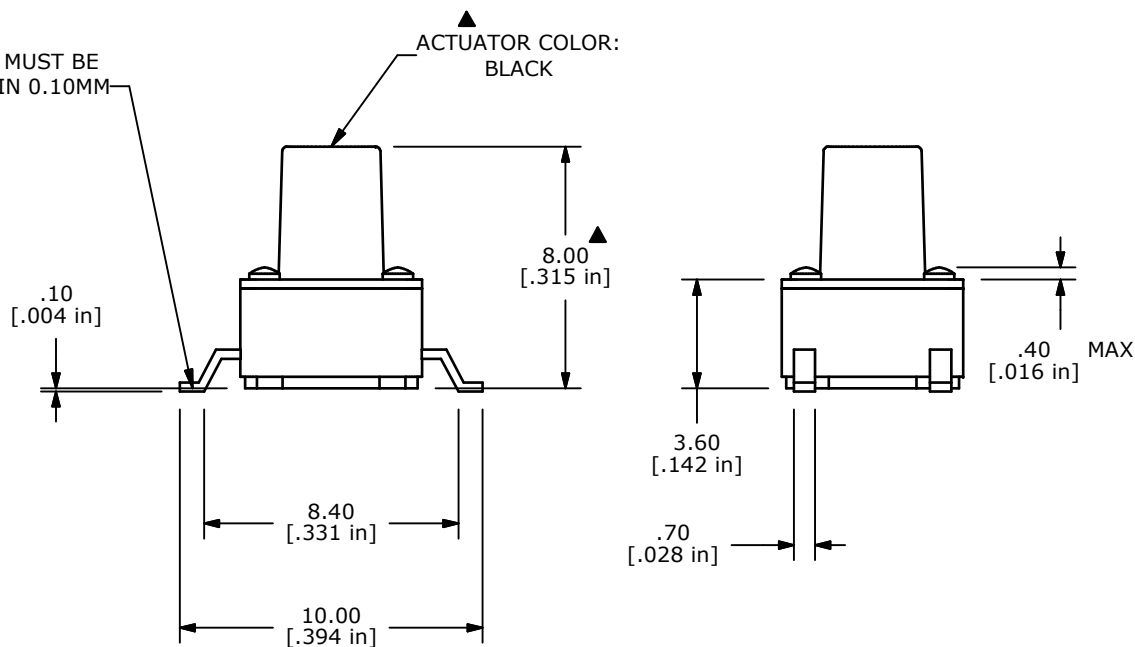


- NOTES:
1. ALL DIMENSIONS IN MM
  2. GENERAL TOLERANCE: X.X=±0.4  
X.XX=±0.25
  3. TERM. NOS. FOR REFERENCE ONLY.
  4. RATING: 12VDC, 50mA
  5. OPERATING FORCE: 160 ± 50 gms
  6. TRAVEL: 0.25mm ±0.1
  7. CONTACT RESISTANCE: 100 MILLI OHMS MAX. (INITIAL)
  8. MECHANICAL/ELECTRICAL LIFE 100,000 CYCLES MIN.
  9. GOLD CONTACTS
  10. ▲DENOTES CRITICAL PARAMETER
  11. 2002/95/EC (ROHS) COMPLIANT.
  12. PACKAGING: TAPE AND REEL, 700 PIECES PER REEL



▲ ALL TERMINALS MUST BE COPLANAR WITHIN 0.10MM TOTAL

▲ ACTUATOR COLOR: BLACK



TITLE TL3301CF160RG

A	21268	NEW RELEASE	10/14/13	EBP
REV	PCR NO	DESCRIPTION	DATE	BY

THE INFORMATION CONTAINED IN THIS DOCUMENT IS PROPRIETARY TO E-SWITCH AND IS NOT TO BE COPIED OR TRANSFERRED

SCALE	DATE	DR	DWG	REV
	10/14/2013	EBP	P314001	A