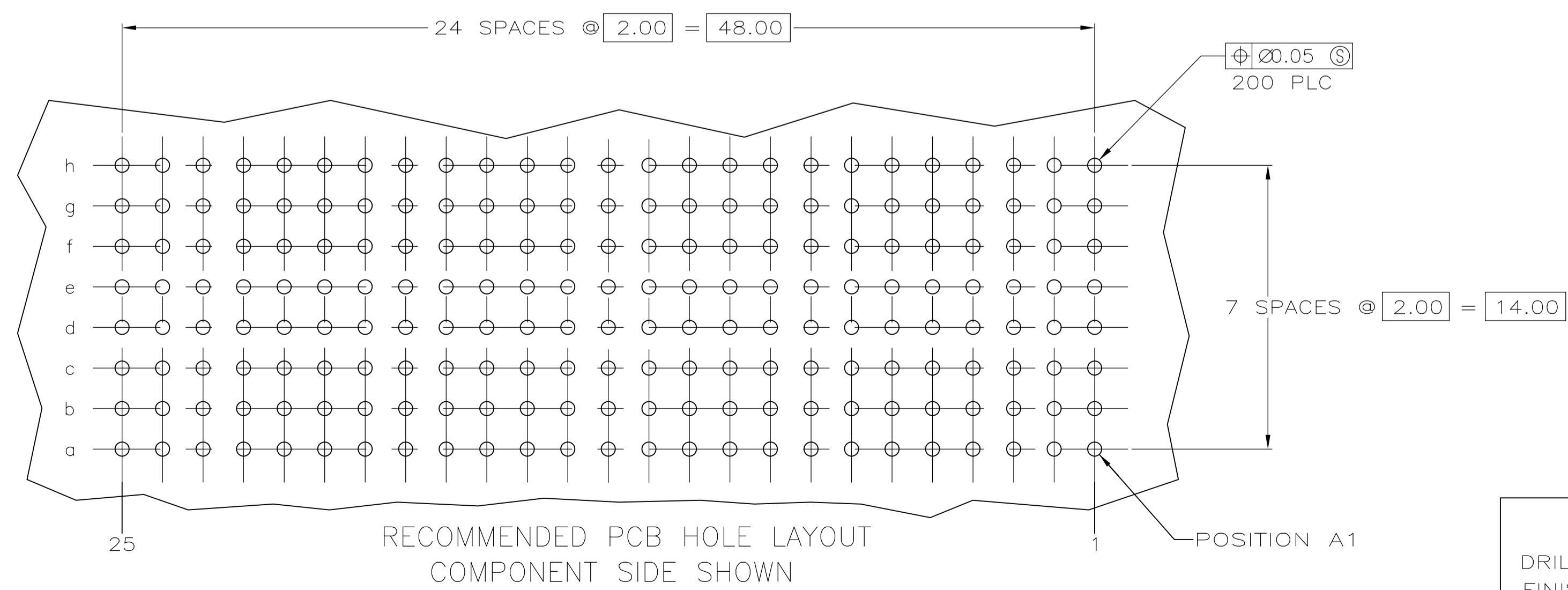
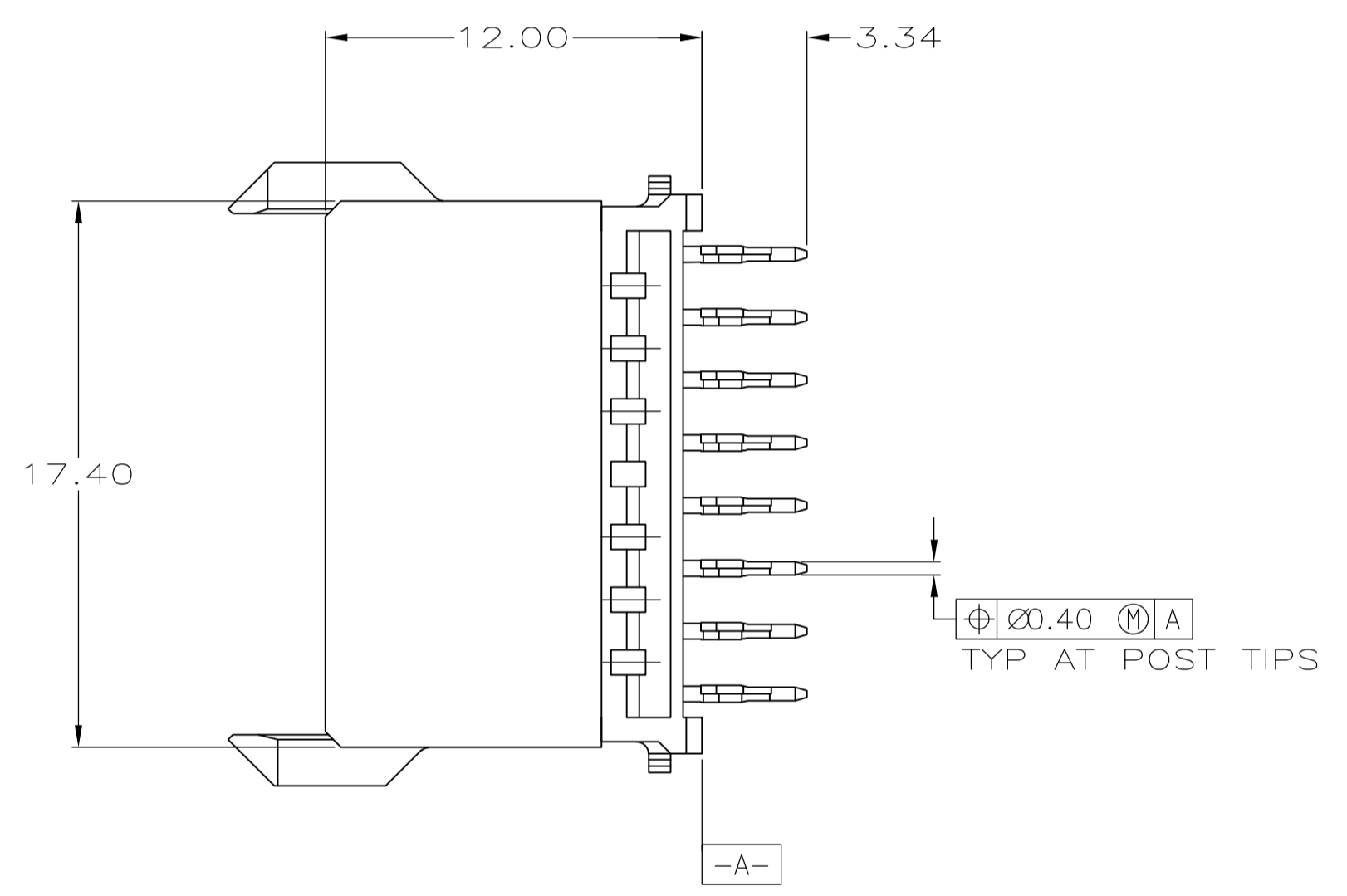
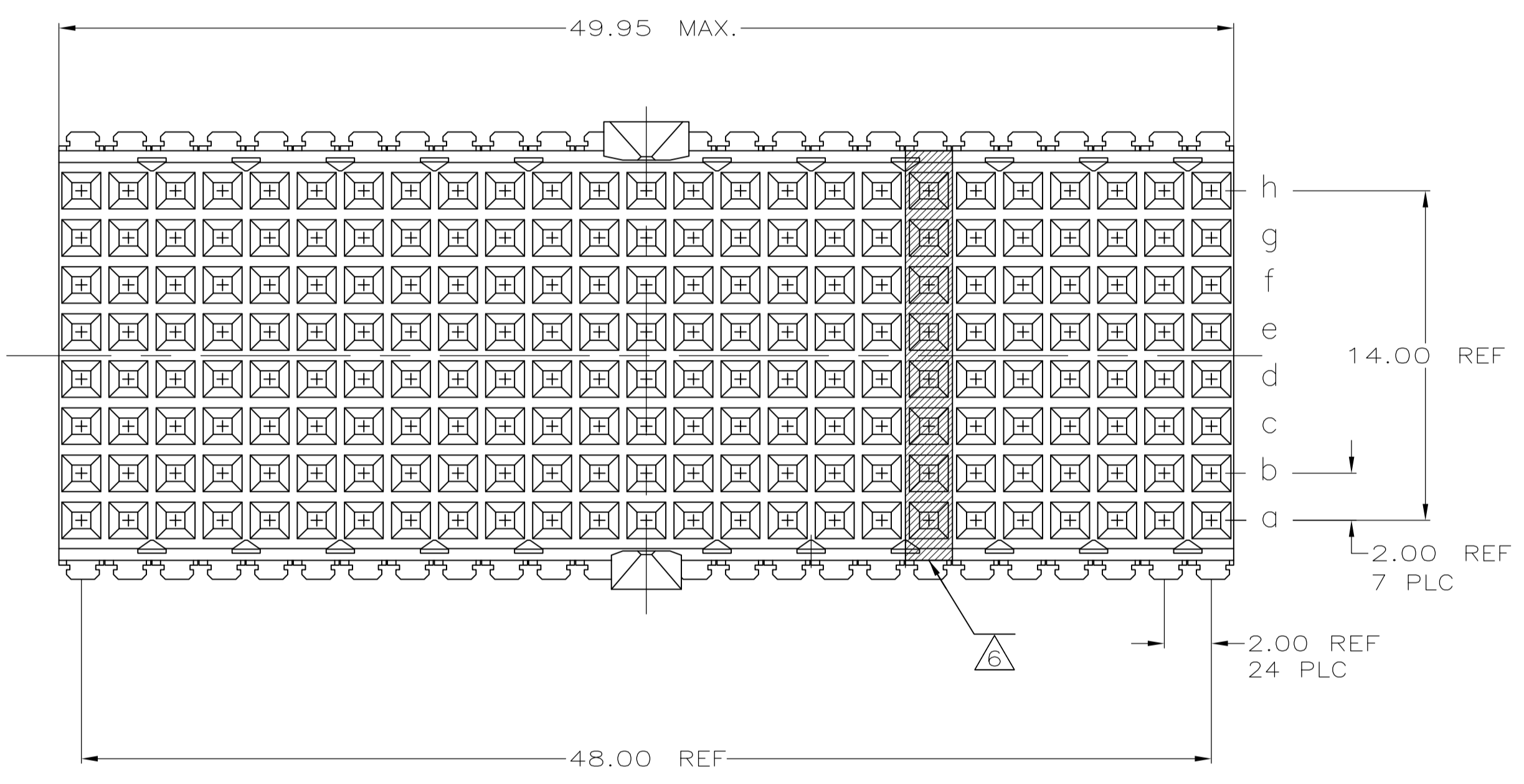
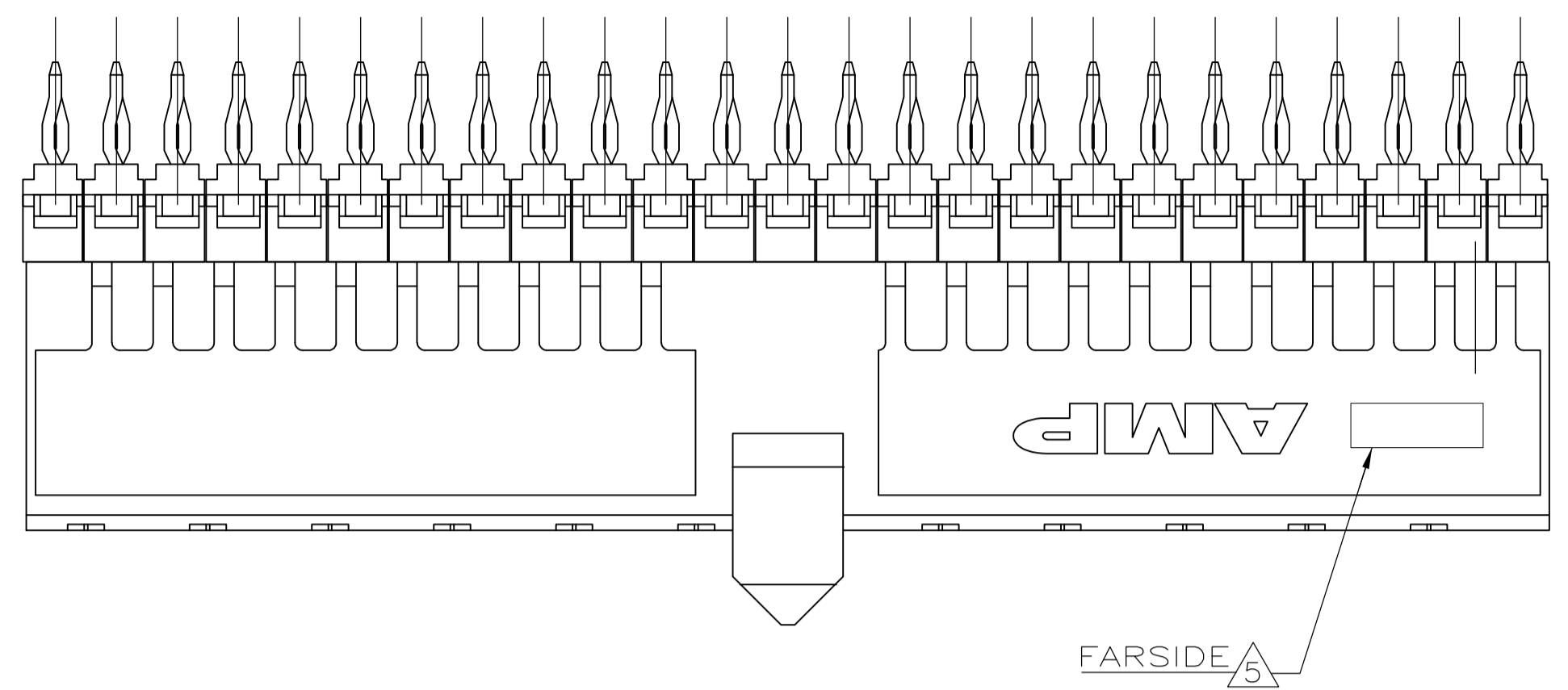


LOC		DIST		REVISIONS			
F	LTR	DESCRIPTION	DATE	DN	APVD		
A		REV PER EC 0512-0302-05	15DEC05	BC	GS		
B		ECR-10-018652	10SEP10	JS	MQW		
C		ECO-11-024491	13DEC11	SY	MQW		

- 1 MATERIAL:
CONTACT: PHOSPHOR BRONZE.
HOUSING: GLASS-FILLED POLYESTER.
- 2 GENERAL PLATING SPECIFICATION: UNDERPLATING
(ENTIRE CONTACT): 1.27µm MIN NICKEL AND ACTION
PIN: 0.5µm MIN TIN.
FOR PLATING OF MATING SURFACES SEE APPLICABLE SPECIFICATION REFERENCE FOR EACH DASH NUMBER.
- 3 CONFORMS TO ALL TESTING ACCORDING TO IEC 61076-4-101 PERFORMANCE LEVEL 2.
- 4 CONNECTOR TESTED AND QUALIFIED AGAINST TELCORDIA GR-1217-CORE QUALITY LEVEL 3, CENTRAL OFFICE APPLICATIONS.
- 5 CONNECTOR MARKED WITH PART NUMBER AND DATE CODE. ADDITIONAL CHARACTERS OR MARKINGS, AS WELL AS THE LOCATION OF THE MARKINGS, MAY BE ADDED FOR TRACEABILITY BASED UPON MANUFACTURERS DISCRETION.
- 6 COLUMN 7 STRIPE INK MARKED (BLACK).
- 7 CONNECTOR LUBRICATED WITH BELCORE APPROVED LUBRICANT, TECHNICAL REFERENCE: TR-NWT-001217 ISSUE 1, SEP 1992.



PCB HOLE DIMENSIONS	
DRILLED HOLE:	0.700 ±0.025 mm
FINISHED HOLE:	0.55 TO 0.65 mm
Cu-thks:	0.025 TO 0.050 mm
SnPb-thks:	0.004 TO 0.010 mm

THIS DRAWING IS A CONTROLLED DOCUMENT.		DIN B CARBO 29JUL05		Tyco Electronics Corporation Harrisburg, PA 17105-3608	
DIMENSIONS: mm		GSKIPPER 29JUL05		NAME: RECEPTACLE ASSEMBLY, VERTICAL, 200 POSN., TYPE D/E, 8 ROW, Z-PACK 2mm HM	
TOLERANCES UNLESS OTHERWISE SPECIFIED:		APVD GSKIPPER 29JUL05	APPLICATION SPEC		
0-PLC ± 1-PLC ± 2-PLC ±0.13 ±0.2 3-PLC ± 4-PLC ±		MATERIAL		SIZE	RESTRICTED TO
ANGLES ±:		FINISH SEE TABLE		WEIGHT	SCALE
		CUSTOMER DRAWING		A1 00779 C=5646773	SHEET 1 OF 1 REV C