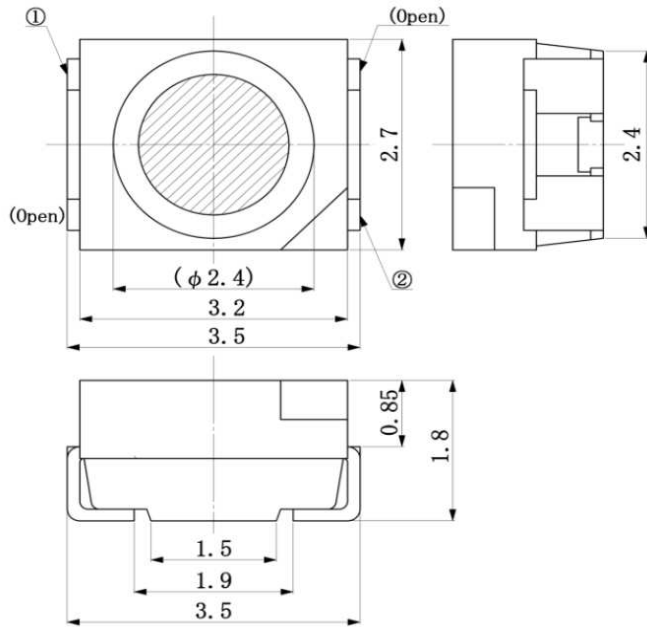


Peak Emission Wavelength: 1450nm



① Anode

② Cathode

Dimensions in mm

Description

- SMD 3527 (1411) Package
- Type: InGaAs/InP, MQW
- High power
- High speed
- High reliability

Application

- Optical switches
- Optical communication
- Safety equipment
- Automation

Absolute Maximum Ratings (Ta=25°C)

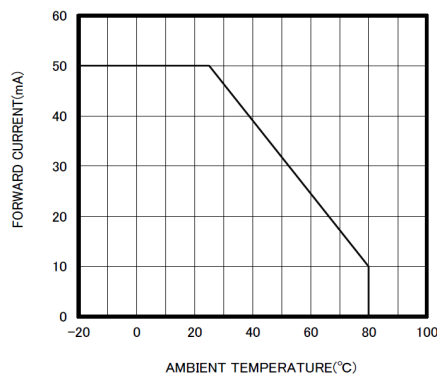


ITEMS	TEST CONDITIONS	SYMBOL	RATINGS	UNIT
Forward DC Current		If	50	mA
Forward Current (pulse)	t=10us, T = 10ms	If	0.5	A
Reverse Voltage		Vr	5	V
Power Dissipation		Po	120	mW
Operating Temperature Range		Top	-20 to +80	°C
Storage Temperature Range		Tst	-30 to +100	°C
Lead Soldering Temperature	t=5sec, 3mm from case	Tslg	260	°C

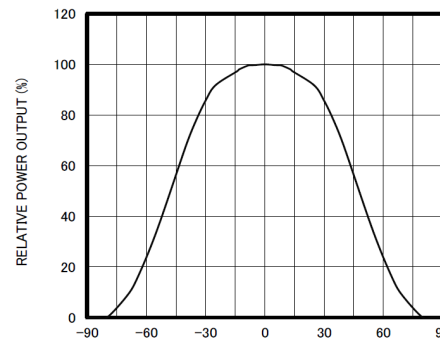
Electrical & Optical Characteristics (Ta = 25°C)

ITEMS	SYMBOL	CONDITIONS	MIN	TYP	MAX	UNIT
Forward Voltage	Vf	If=20mA	--	0.7	0.95	V
Forward Voltage	Vf	If=50mA	--	0.8	1.0	V
Reverse Current	Ir	Vr=5V	--	--	100	uA
Output Power	Po	Vr=5V	--	1.8	--	mW
Output Power	Po	If=50mA	--	3.5	--	mW
Peak Wavelength	λ_p	If=20mA	1400	1450	1500	nm
Spectral Bandwidth	$\Delta\lambda_{0.5}$	If=20mA	--	120	--	nm
Viewing Angle	$\Theta_{0.5}$	If=20mA	--	+/-45	--	deg
Switching Time	tr, tf	If=20mA	--	40	--	ns

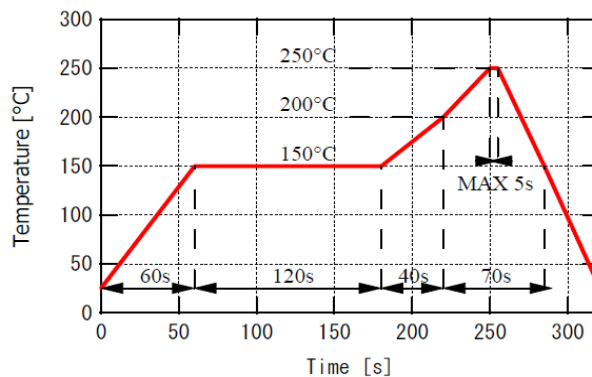
THERMAL DERATING CURVE



RADIATION PATTERN



Recommended reflow soldering profile



Recommended Land Layout (Unit: mm)

