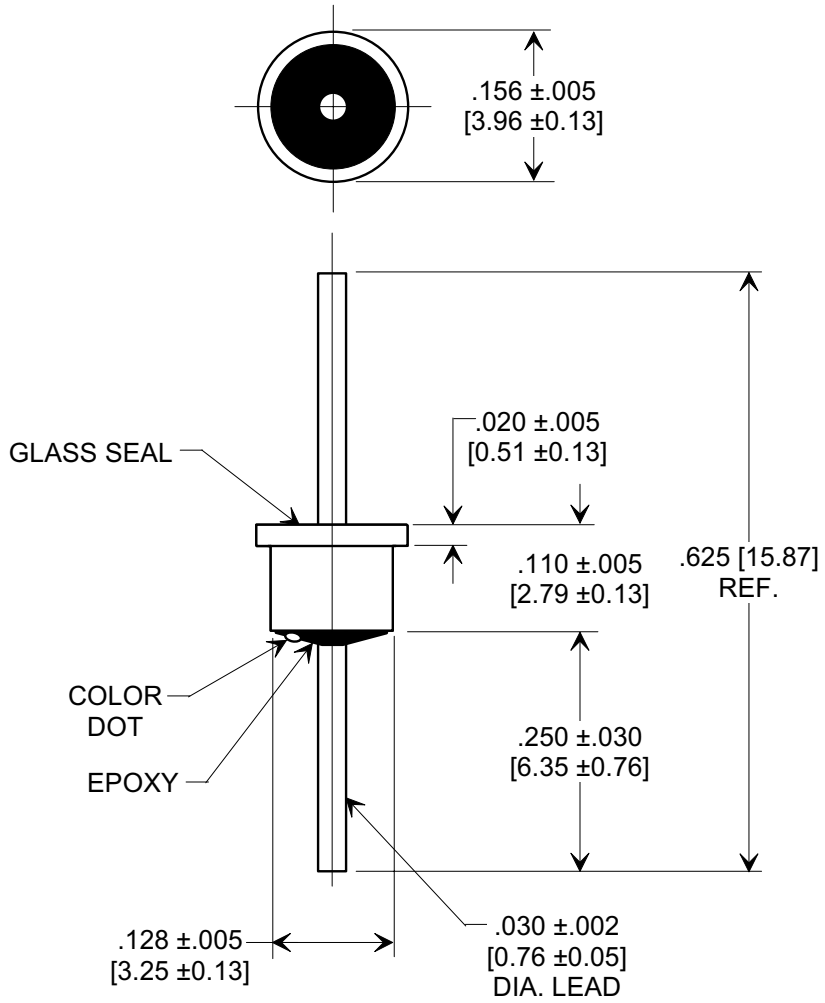
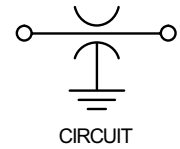


**MARKETING SALES DRAWING**  
 DIMENSIONS IN INCHES - DO NOT SCALE THIS DRAWING  
 DIMENSIONS IN METRIC - [ ]

Electrical Testing  
 per Tusonix standard  
 test plans and Mil-Std-202  
 Test Methods.



**NOTES:**

1. Operating temperature range: -55°C to +125°C.
2. Gold plated case and lead.
3. Epoxy sealed on opposite end from glass seal.
4. Max. recommended soldering temperature: 260°C.  
See installation recommendations.
5. Recommended mounting hole: .135 [3.43] dia.
6. Solder preform available for mounting.
7. Tusonix Standard part number: 4300-024.  
Tusonix RoHS compliant part number: 4300-024 LF.  
Customer must specify Standard or RoHS part number when ordering.
8. RoHS compliant part marked with additional dark green dot for identification.

| Cx (pF) | TOL. | DC WORKING VOLTAGE |       | DC CURRENT (AMPS) | DWV (VDC) | I.R. MIN. @ 100 (VDC.) | MIN. NO LOAD INSERTION LOSS (dB)<br>@ 25° C PER MIL-STD-220 |        |         |      |        | COLOR CODE |
|---------|------|--------------------|-------|-------------------|-----------|------------------------|---|--------|---------|------|--------|------------|
|         |      | 85°C               | 125°C |                   |           |                        | 1 MHz   | 10 MHz | 100 MHz | 1GHz | 10 GHz |            |
| 5,000   | GMV  | 150                | 100   | 5                 | 250       | 10 G                   | ---   | 15     | 30      | 40   | 50     | YELLOW     |

|   |  |  |   |                 |
|---|--|--|---|-----------------|
| REVISION RECORD<br>Original Release<br>C.O. 20020213-4-01<br>YELLOW WAS BLUE-BLUE<br>15,30,40,50 WERE 35,45,70&<br>L.E. 06-04-02<br>20020604-1-02<br>ADDED NOTES 7 & 8.<br>S.M. 05-23-05<br>20050511-2-25 | --TOLERANCES--<br>Unless Otherwise Specified |  | Title<br><b>SOLDER MOUNT<br/>EMI FILTER</b> |                 |
|   | DECIMAL ± NOTED                              |  | Drawn S.M. 02-14-02 Scale 5 X               |                 |
|   | ANGLES ±                                     |  | Approved T.C. 02-14-02                      |                 |
|   | <b>TUSONIX</b><br>TUCSON, ARIZONA            |  | <b>A</b>                                    | <b>4300-024</b> |

X-2015 Rev-0