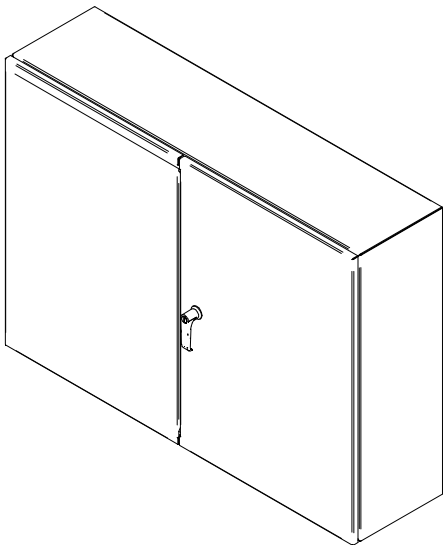
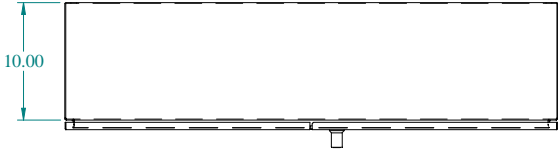
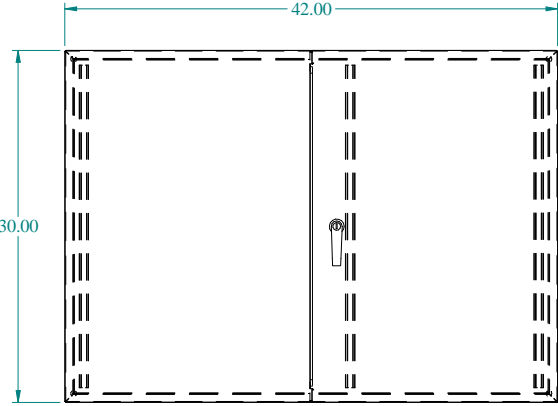
 **PART No. EN4TD304210LG**
for more information visit
www.hammfg.com
Data subject to change without notice
Isometric drawing Not to Scale



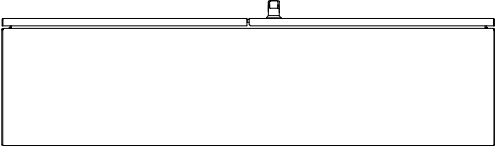
ISOMETRIC VIEW



TOP VIEW



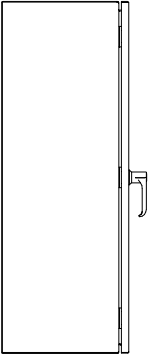
FRONT VIEW



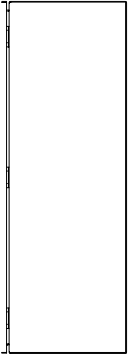
BOTTOM VIEW



BACK VIEW



LEFT SIDE VIEW



RIGHT SIDE VIEW