



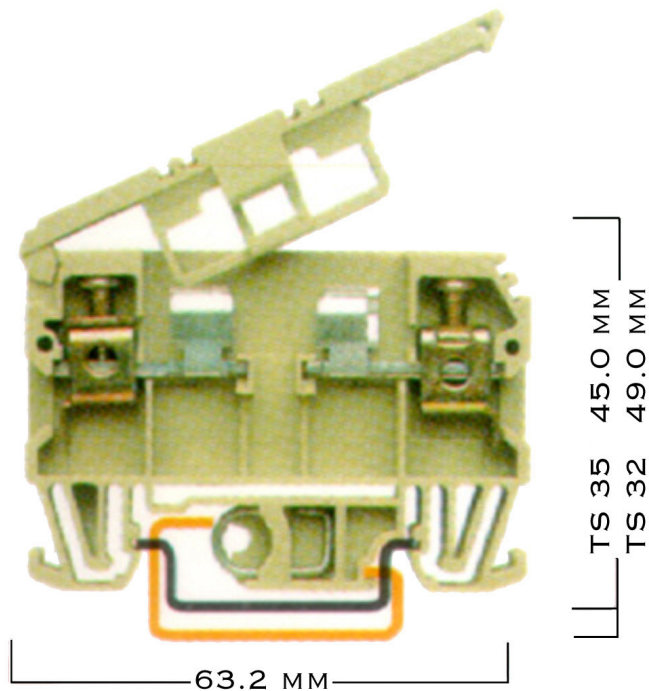
# AMERICAN ELECTRICAL, INC.



## INDUSTRIAL ELECTRICAL ACCESSORIES

425 SOUTHLAKE BLVD. • SUITE 9-B • RICHMOND, VA 23236 • (804) 379-2899 • FAX: (804) 379-8935

## DIN RAIL MOUNTED FUSE BLOCKS

### ASK 2 S



DESCRIPTION	AEI PART NO.	UL VOLTS V	AMPS A	WIRE SIZE AWG	WIDTH MM
<b>FUSE BLOCK</b> FOR 5MM X 20MM & 5MM X 25MM FUSES	351100	300	6.3	26 ... 8	8.0
<b>END BRACKET</b> 	495040				8
<b>END PLATE</b> 	450040				1.5

