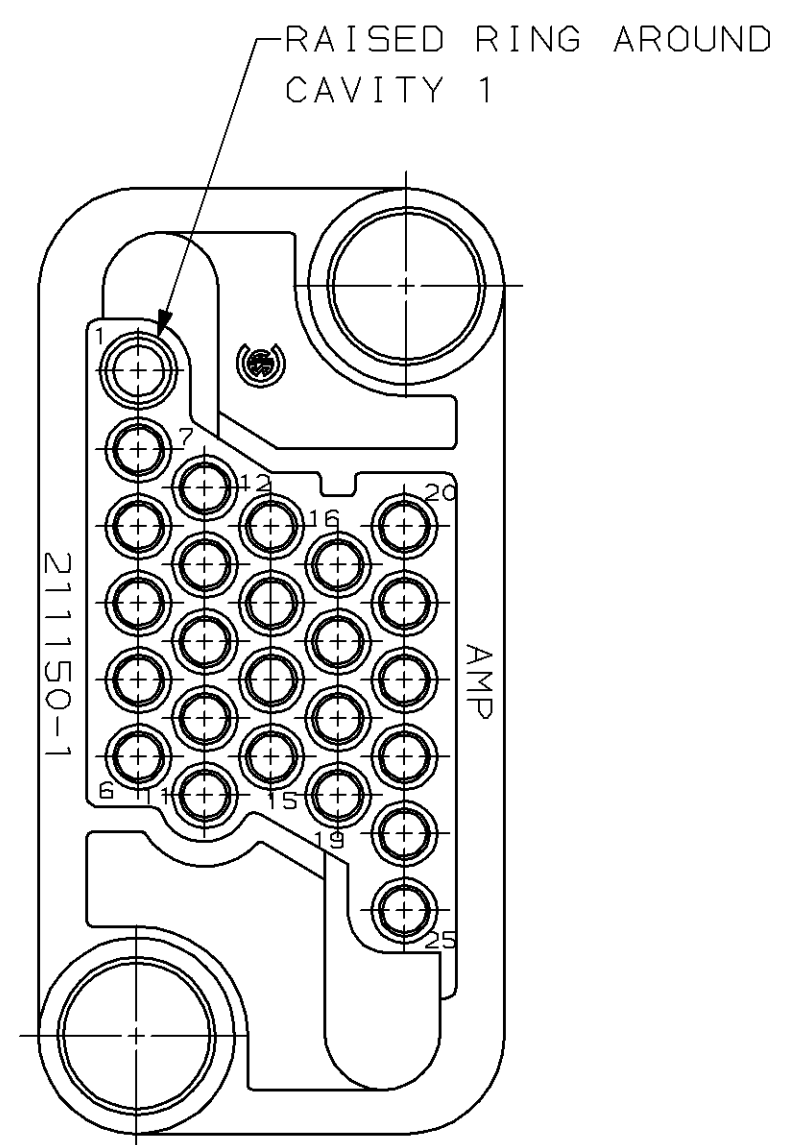
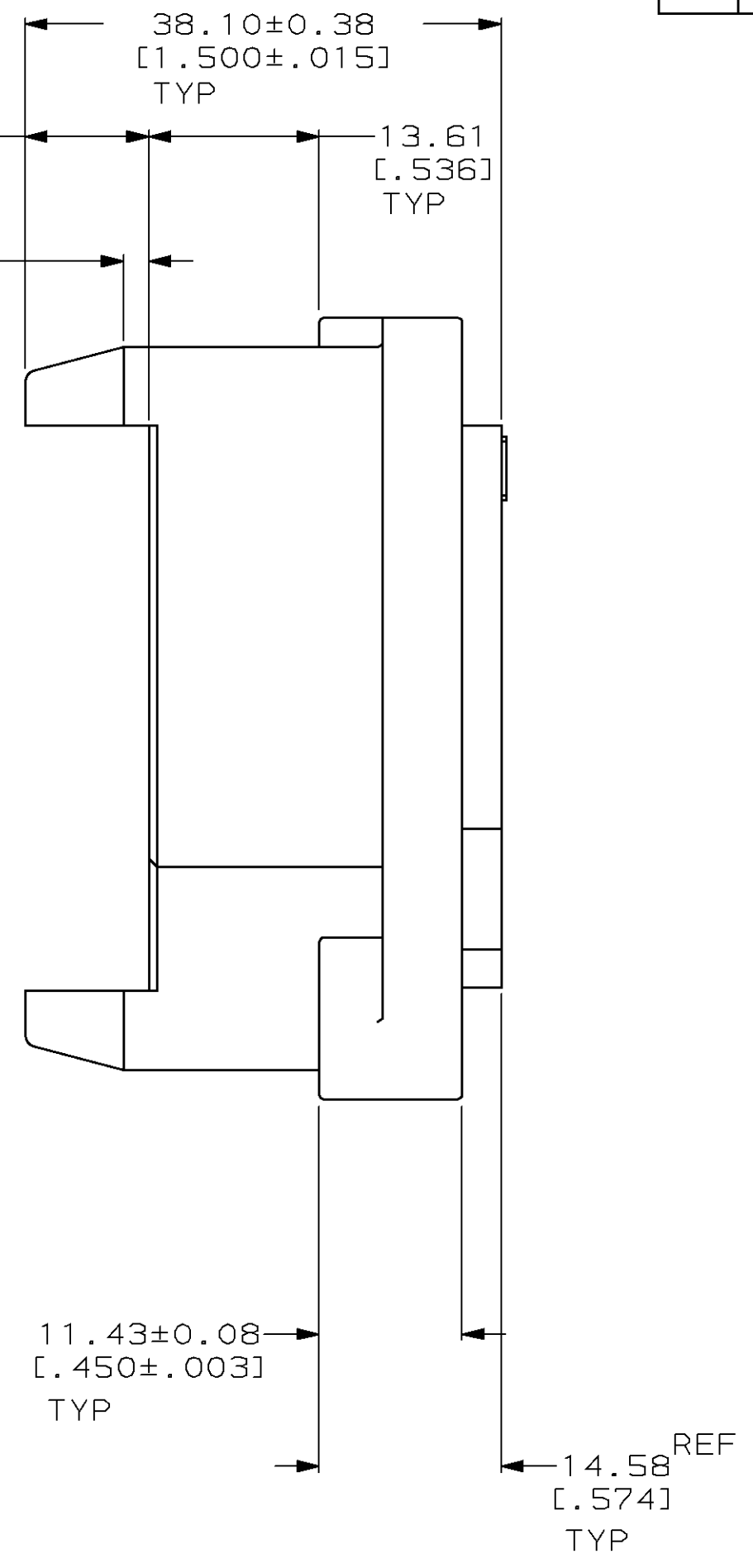
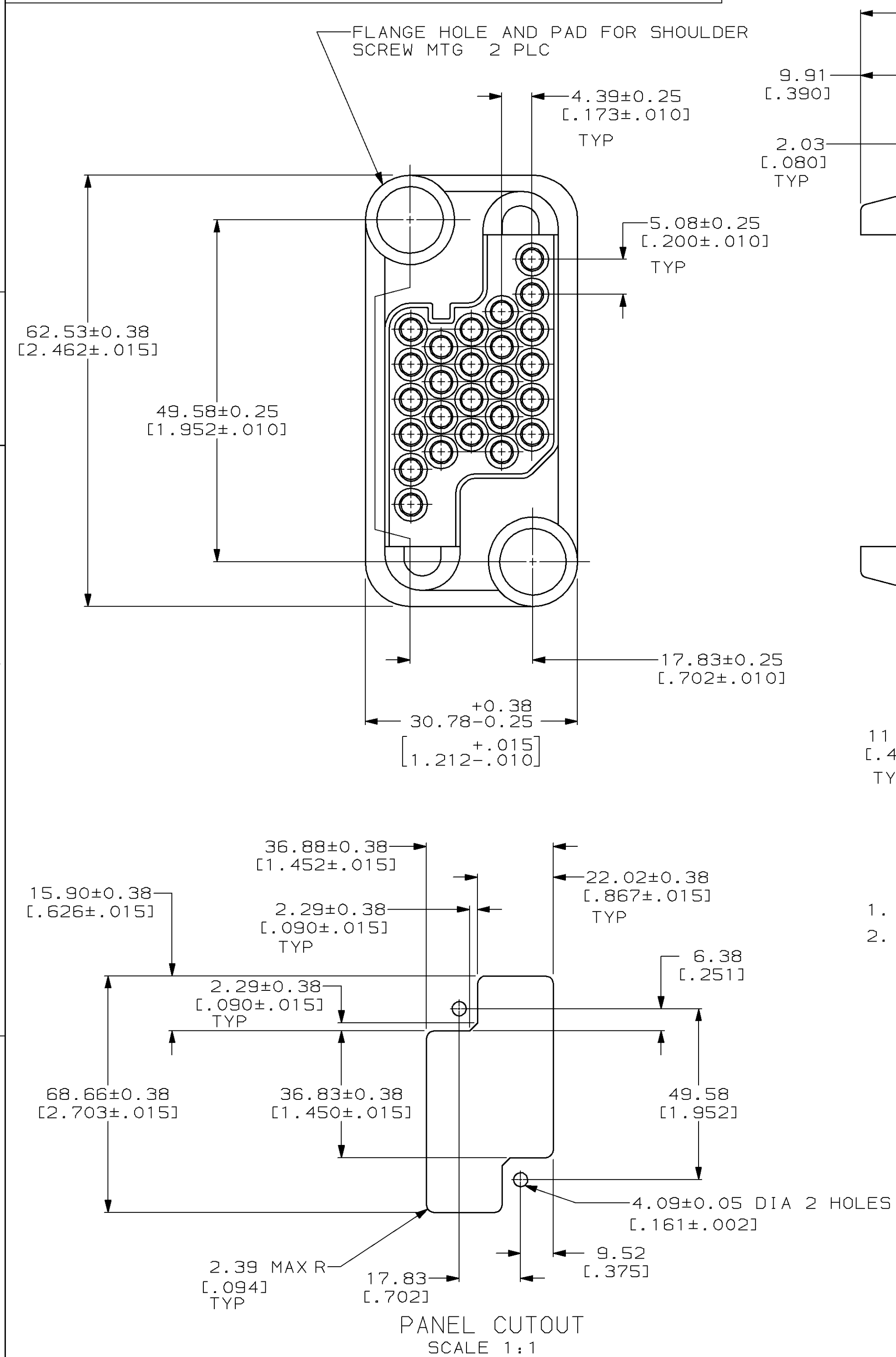


| LOC | DIST | P | F | ZONE | LTR | DESCRIPTION | DATE | APPD |
|-----|------|---|---|------|-----|------------------------------|-----------|------|
| FT | 13 | | | | F | REDRAWN & REV PER ECN BD5737 | 01/14/92 | - |
| | | | | | G | REV PER EC 0320-301-97 | 08 SEP 97 | MM |



1. THIS CONNECTOR MATES WITH PIN HOUSING 211149.
2. FOR MOUNTING SCREW INFORMATION SEE DRAWING 208211.

| |
|----------|
| 211150-1 |
| PART NO |
| PART NO |

| | | |
|--|--------------------------|--|
| DO NOT SCALE PRINT. UNLESS SPECIFIED DIMENSIONS IN mm [INCHES] TOLERANCES ON : 2 PLC DEC ± 0.13 [.005] 3 PLC DEC ± - ANGLES ± - | DR 01/14/92 C.OBERMAN | AMP AMP Incorporated Harrisburg, PA 17105-3608 |
| | CHK 1-22-92 R.STONE | |
| MATERIAL POLYESTER, UL 94V-0 RATED, BLACK | APPD 1-22-92 A.TRAVIS | NAME SOCKET HOUSING, 25 POSN METRIMATE |
| FINISH - | APPD 1-23-92 C.ROHDE | SIZE C |
| | APPLICATION SPEC - | CAGE CODE 00779 |
| | WEIGHT - | DRAWING NO 211150 |
| | | SCALE 2:1 |
| | | SHEET 1 OF 1 |