

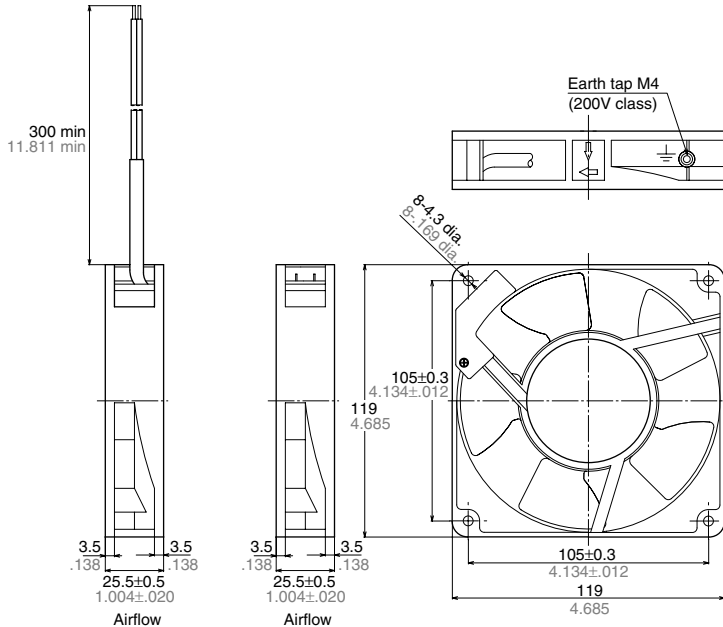
## AC Fan Motor

# 120 sq.×25t (ASEN1)

**NEW**



### DIMENSIONS (mm inch)



RoHS Directive compatibility information  
<http://www.nais-e.com/>

### RATING

#### 1. Lead wire type, Standard speed

Part number	Rated voltage (V)	Frequency (Hz)	Input power, $\pm 10\%$ (W)	Rated current*1 (mA)	Locked current*3 (mA)	Rotation speed*2 (r/min)	Max. air flow*2 (m <sup>3</sup> /min)	Max. static pressure*2 (Pa)	Noise*3 (dB(A))	Operating voltage range (V) (%)	Weight (kg)
ASEN10211	100	50/60	14/11	220/180	220/200	2300/2700	1.8/2.0	41.2/41.2	34/38 (42/46)	±10	0.36
ASEN10212	115			190/160	200/180						
ASEN10214	200			110/90	120/100						
ASEN10216	230			100/90	110/100						

#### 2. 2 terminals type, Standard speed

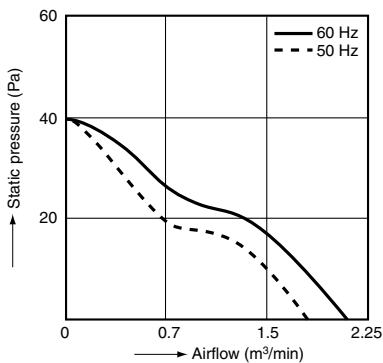
Part number	Rated voltage (V)	Frequency (Hz)	Input power, $\pm 10\%$ (W)	Rated current*1 (mA)	Locked current*3 (mA)	Rotation speed*2 (r/min)	Max. air flow*2 (m <sup>3</sup> /min)	Max. static pressure*2 (Pa)	Noise*3 (dB(A))	Operating voltage range (V) (%)	Weight (kg)
ASEN102519	100	50/60	14/11	220/180	220/200	2300/2700	1.8/2.0	41.2/41.2	34/38 (42/46)	±10	0.36
ASEN102529	115			190/160	200/180						
ASEN102549	200			110/90	120/100						
ASEN102569	230			100/90	110/100						

\*1: Designates maximum values, \*2: Designates minimum values, \*3: Designates average values

Notes: 1. Values above without designations are averages.

2. Noise level was measured at a distance of 1 m from side of fan. Values in brackets were measured at a distance of 1 m from front of fan.

### DATA (Airflow - Static pressure Characteristic Curve)



### MATERIALS USED

Frame: aluminum alloy die-casting  
 Propeller: plastic  
 Bearings: ball bearings  
 Lead wires: UL3266 and AWG22

Terminal: Equivalent to Faston #110  
 Label: 100 V class...black base  
 200 V class...red base

### SPECIFICATIONS

Ambient temperature	-10°C to +60°C +14°F to +140°F	
Ambient humidity	15 to 85%RH	
Storage temperature	-20°C to +70°C -4°F to +158°F	
Breakdown voltage	1,500 V AC for 1 min. (between charging section and frame)	
Insulation resistance	Min. 100MΩ (at 500 V DC megger)(between charging section and frame)	
Insulation class	UL:A class, CSA:B class	
Vibration resistance	Frequency	10 to 55Hz
	Double amplitude width	0.75mm
	Applied direction	X, Y and Z directions
	Applied time	10 min. in each direction
Protection	Impedance protected	
Mean life	MTTF: 50,000 hrs. (Time it takes until rotation frequency drops 30% of initial value when run continuously under 25°C 77°F and room humidity at the nominal voltage.)	