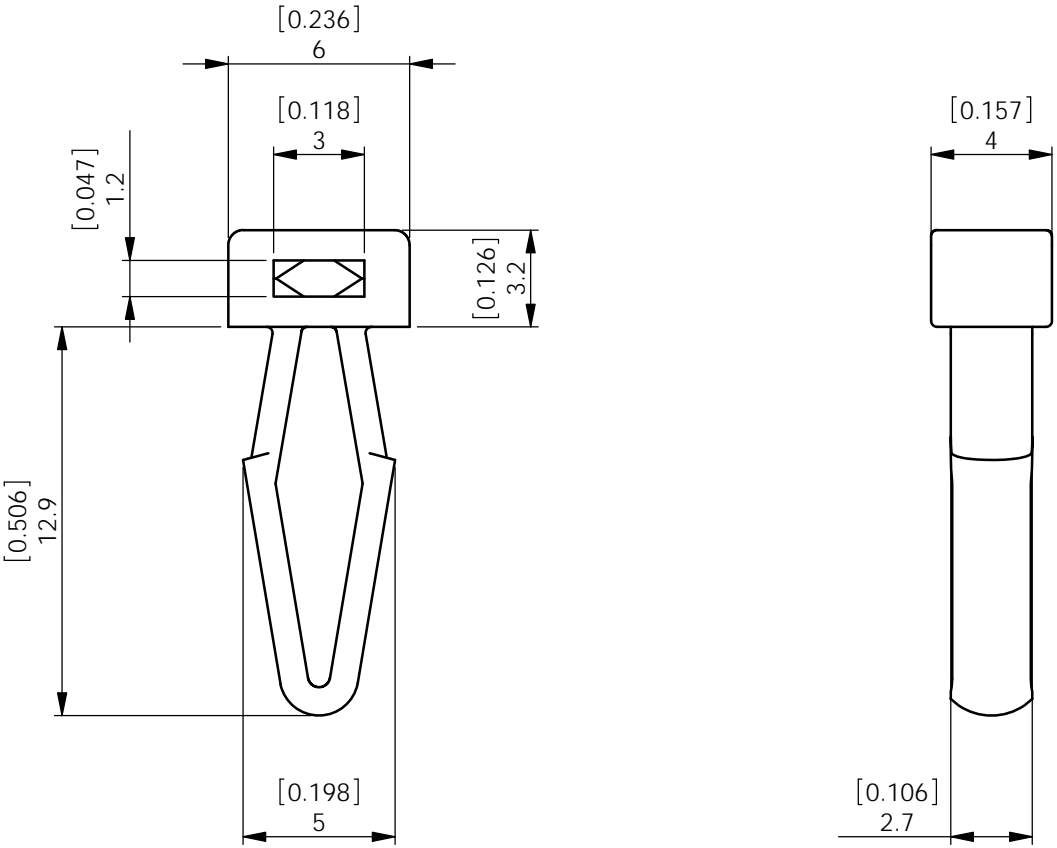


REV.	MODIFICATION.	DATE	DRN
01	PRODUCTION RELEASE	01/08/08	OW
02	CO-2010448	02/11/08	OW
03	CO-2011064	17/02/11	SF



INFORMATION CONTAINED IN THIS DOCUMENT IS CONFIDENTIAL TO RICHCO INTERNATIONAL Co. Ltd. AND MAY NOT BE DISCLOSED OR REPRODUCED IN WHOLE OR PART WITHOUT THEIR WRITTEN CONSENT.

<b>RICHCO, INC.</b> WWW.RICHCO-INC.COM	ALL DIMENSIONS IN mm GENERAL TOLERANCES ±0.25 UNLESS OTHERWISE STATED 1 DECIMAL PLACE ± 2 DECIMAL PLACES ± ANGULAR ±1°	THIRD ANGLE 

NYLON 6/6 UL94 V-2(RMS-01) COLOUR: NATURAL	NYLON 6/6 UL94 V-0(RMS-19) COLOUR: NATURAL	CABLE TIES ACCEPTED	PANEL THICKNESS	Ø HOLE SIZE
FTH-39-1-01	FTH-39-1-19	ALL RG CABLE TIES UP TO SIZE RG-205/305	1- 4.5[.0039-.177]	3.2[.126]
BLACK COLOUR AVAILABLE BY SPECIAL ORDER				

MATERIAL: SEE TABLE			COLOUR: SEE TABLE	
DESCRIPTION: FLAT TIE HOLDER			PART No: SEE TABLE	
DRG No: 08-075	NPR No: FR08-0032	Mass:(g) 0.2	SHEET SIZE A4	
DRN OW	DATE 30/04/08	CHKD BO	DATE 31/07/08	SCALE NTS
			SHEET No. 1 OF 1	