

10 9 8 7 6 5 4 3 2 1

NOTES :

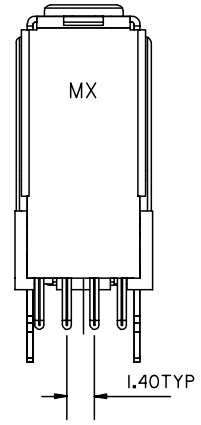
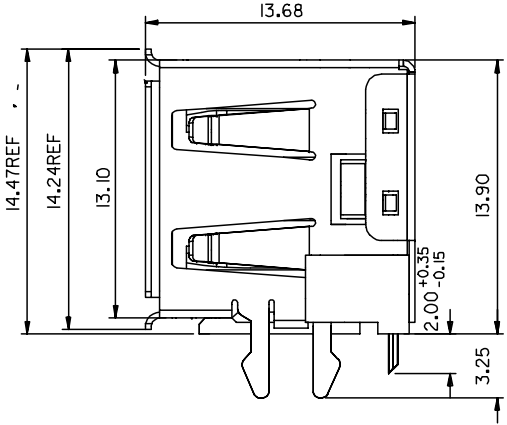
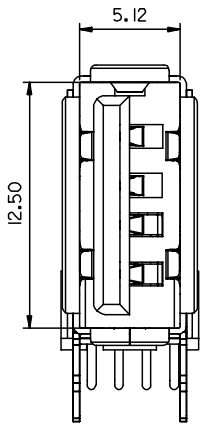
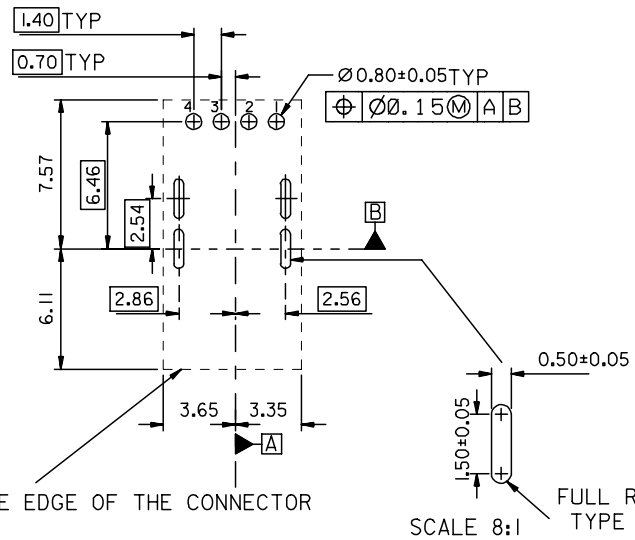
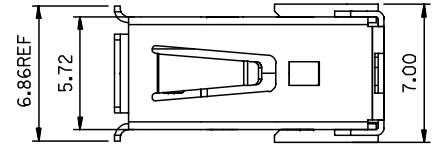
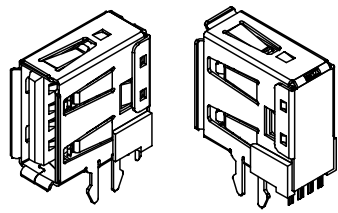
1. MATERIAL :

HOUSING : HIGH TEMPERTURE NYLON ,GLASS FIBER, UL94-V0 , COLOR: BLACK
 TERMINAL : PHOSPHOR BRONZE(PhBr), C5100 EH, PER ES-I24-EI08
 METAL SHELL : COPPER ALLOY

2. PLATING :

TERMINAL :
 CONTACT AREA : (a) GOLD FLASH.
 (b) GL0D (Au), THICKNESS = 30 MICROINCH/0.76 MICROMETER
 SOLDER TAIL : PURE TIN(Sn), THICKNESS= 75 MICROINCH /1.9 MICROMETER
 UNDER PLATE : NICKEL (Ni), THICKNESS= 50 MICROINCH/1.27 MICROMETER
 METAL SHELL :
 PURE TIN(Sn), THICKNESS=50-100MICROINCH /1.27-2.54 MICROMETER.
 UNDER PLATE : NICKEL (Ni), THICKNESS= 50 MICROINCH/1.27 MICROMETER

3 RECOMMENDED PCB THICKNESS : 1.20±0.05 mm.
 4 PRODUCT SPECIFICATION : REFER TO PS-89485
 5 PACKAGING SPECIFICATION : REFER TO PS-67329-001



PART NUMBER LEGEND:

P/N	CONTACT PLATING
67329-8030	GOLD FLASH
67329-8031	0.76 MICROMETER/30 MICROINCH GOLD

NEW RELEASE EC NO: DRWN:HP/IAN CHKD:HARVEY APPR:HWANG	DESCRIPTION A	QUALITY SYMBOLS ▽=0 △=0	GENERAL TOLERANCES (UNLESS SPECIFIED)		DIMENSION STYLE MM ONLY		SCALE 4:1	DESIGN UNITS METRIC	THIRD ANGLE PROJECTION	
			mm	INCH	DRAWN BY QIANHUIPING	DATE 2005/12/09	TITLE USB A UPRIGHT CONN. FLANGE OUT TYPE WITH FORK LOCK LEAD-FREE			
			4 PLACES ± ---	± ---	CHECKED BY HARVEY	DATE 2005/12/09	MOLEX INCORPORATED			
			3 PLACES ± ---	± ---	APPROVED BY GARY	DATE 2005/12/09	MATERIAL NO. 67329-803*	DOCUMENT NO. SD-67329-808	SHEET NO. 1 OF 1	
		2 PLACES ± 0.15	± ---	DRAFT WHERE APPLICABLE MUST REMAIN WITHIN DIMENSIONS						
		1 PLACE ± 0.15	± ---	SIZE A3 THIS DRAWING CONTAINS INFORMATION THAT IS PROPRIETARY TO MOLEX INCORPORATED AND SHOULD NOT BE USED WITHOUT WRITTEN PERMISSION						
		ANGULAR ± 3 °								

9 8 7 6 5 4 3 2 1