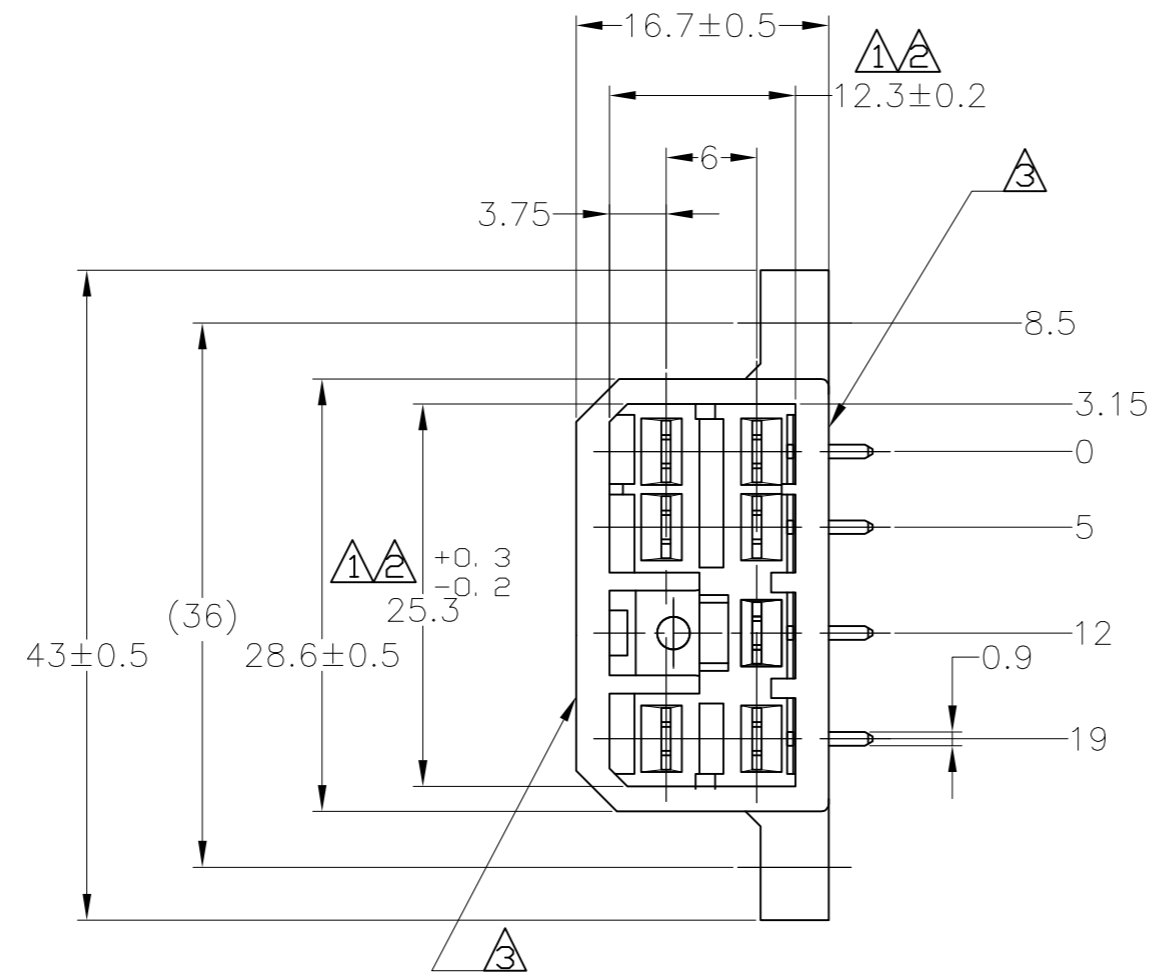
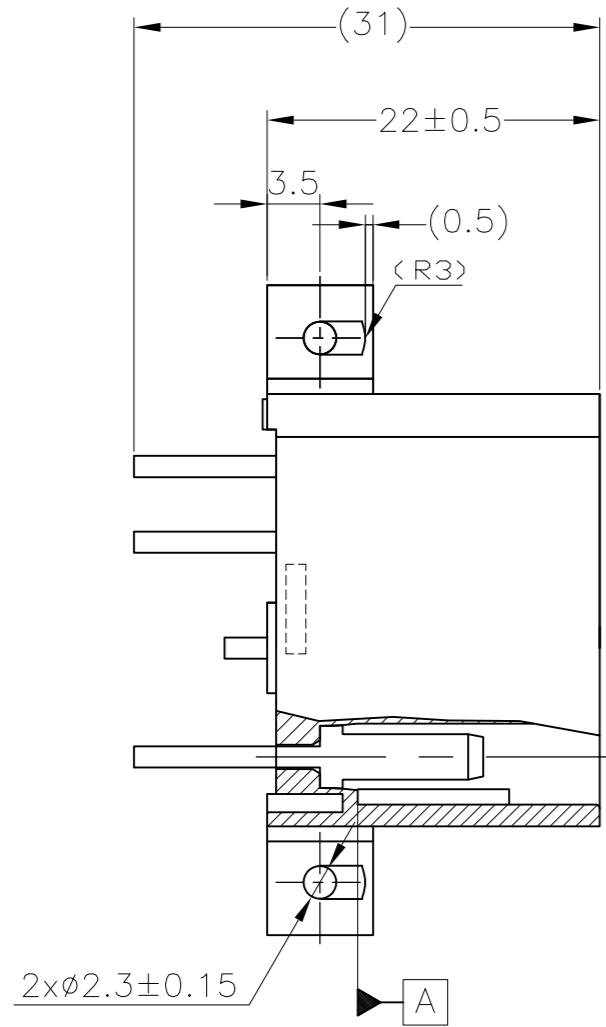


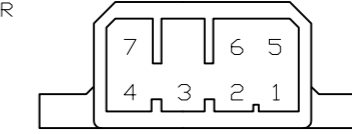
THIS DRAWING IS UNPUBLISHED. RELEASED FOR PUBLICATION
 © COPYRIGHT 2016 By Tyco Electronics Japan G.K. ALL RIGHTS RESERVED.

REVISIONS				
P	LTR	DESCRIPTION	DATE	APVD
E7		OBSELETE 1--1 ECR-16-003014	16AUG16	KF HY



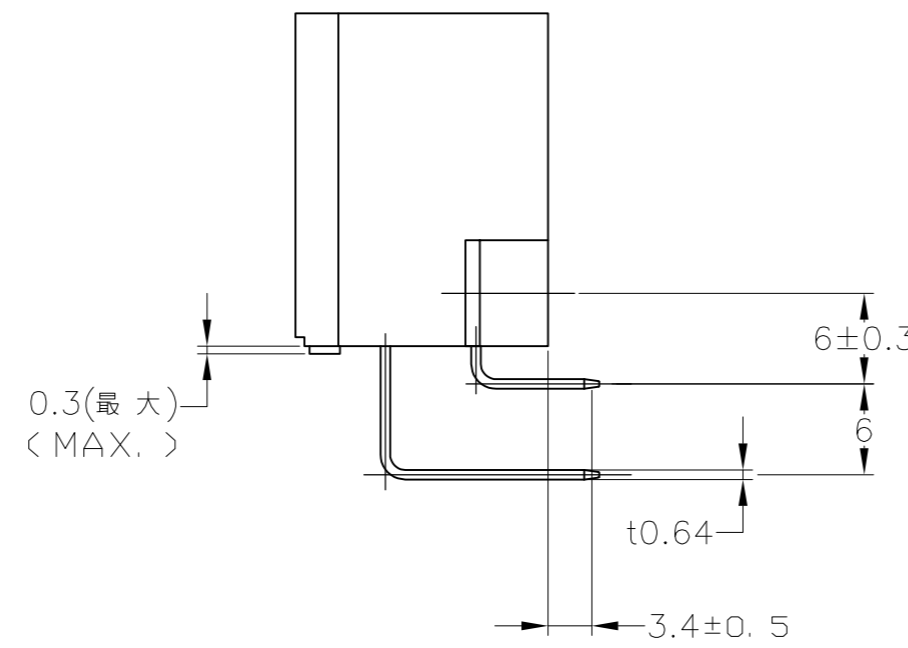
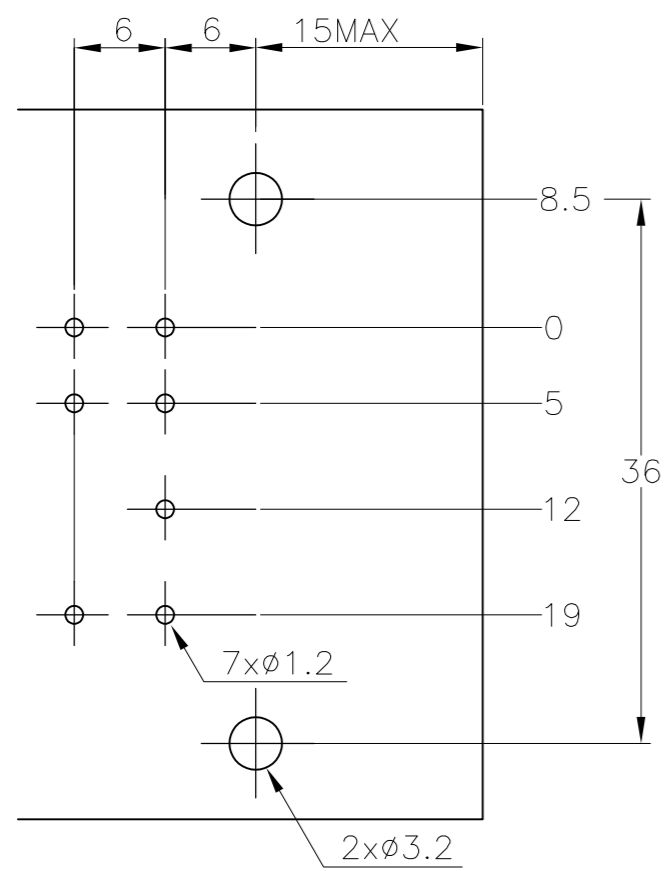
- 注記:
- △ A 面より2mmの範囲で測定のこと。
 - △ 相手ハウジングと所定の機能を満たしてかん合できること。
 - △ フードの反りは0.2以内。
 - 4 推奨取付けねじ: JIS B 1115 又は、1122 タッピンねじ
なべ1種又は2種、呼び径3長さ6mm以下。
(締め付けトルク: 0.4N・m 以下)
 - 5 適用製品規格 No.108-5093
 - 6 相手ハウジングとのかん合力は、29.4N以下
但し、リセプタクルコンタクトは含まない。
 - △ タブなしタイプ(表参照)回路番号下図参照のこと。

- NOTES:
- △ TO BE MEASURED WITHIN 2mm FROM A
 - △ IN COUPLING WITH THE PLUG HOUSING MATING SATISFIES FUNCTION
 - △ WARPAGE 0.2 MAX.
 - 4 RECOMMENDED MOUNTING SCREW; 3mmDIA, 6mmLENGTH(MAX.)
PAN HEAD, CLASS 1 AND 2 TAPPING SCREW SPECIFIED IN JIS B1115, B1122 <TIGHTENING TORQUE 0.4N・m MAX.>
 - 5 SPEC. No. 108-5093
 - 6 IN COUPLING WITH THE PLUG HOUSING MATING FORCE
29.4N MAX WITHOUT RECEPTACLE CONTACT
 - △ NON TAB CONTACT'S TYPE <SEE TABLE>



プリント基板取付穴寸法図
(MOUNTING DIMENSIONS FOR P.C. BOARD)

1. 板厚, 1.6±0.15
(P.C.B. THICKNESS, 1.6±0.15)
2. 公差, ±0.1
(TOLERANCE, ±0.1)



FINISH	CONTACT FINISH	CONTACT SIDE	COLOR	PART NUMBER	
---	SELECTIVE-TIN (MATTE)	SELECTIVE GOLD (0.38μm MIN.)	NATURAL	2-5172039-1	
---	SELECTIVE-TIN (MATTE)	SELECTIVE GOLD (0.76μm MIN.)	NATURAL	1-5172039-1	
OBSELETE	12.6	PRE-TIN	NATURAL	4-172039-1	
OBSELETE	2.6	PRE-TIN	NATURAL	3-172039-1	
OBSELETE	---	TIN-LEAD	SELECTIVE GOLD (0.38μm MIN.)	GREEN	2-172039-4
OBSELETE	---	TIN-LEAD	SELECTIVE GOLD (0.38μm MIN.)	NATURAL	2-172039-1
OBSELETE	---	TIN-LEAD	SELECTIVE GOLD (0.76μm MIN.)	GREEN	1-172039-4
OBSELETE	---	TIN-LEAD	SELECTIVE GOLD (0.76μm MIN.)	NATURAL	1-172039-1
OBSELETE	---	PRE-TIN	YELLOW	172039-7	
OBSELETE	---	PRE-TIN	GRAY	172039-6	
OBSELETE	---	PRE-TIN	BLUE	172039-5	
OBSELETE	---	PRE-TIN	GREEN	172039-4	
OBSELETE	---	PRE-TIN	BROWN	172039-3	
OBSELETE	---	PRE-TIN	BLACK	172039-2	
---	---	PRE-TIN	NATURAL	172039-1	
△ NON TAB PLACES タブなし箇所	SOLDERING SIDE 半田付け部	CONTACT SIDE 接触部側	COLOR 色	PART NUMBER 製品型番	
CONTACT FINISH コンタクト仕上					

THIS DRAWING IS A CONTROLLED DOCUMENT.

DWN T.SHINOHARA 31AUG07	CHK K.BETSUI 31AUG07	APVD K.BETSUI 31AUG07	NAME 名称 7P HORIZONTAL TYPE CAP HOUSING ASS'Y MULTI-INTERLOCK CONN. (WIRE TO P.C.B.)
DIMENSIONS: 単位: 純 mm			PRODUCT SPEC 製品規格 SEE NOTE 5
TOLERANCES UNLESS OTHERWISE SPECIFIED: 一般公差			APPLICATION SPEC 取付適用規格
0 <= X <= 10 : ±0.2 10 <= X <= 30 : ±0.25 30 <= X <= 100 : ±0.3 ANGLE : ±3°			SIZE A2
MATERIAL 材料 HSG: 66 NYLON CONTACT: BRASS			CAGE CODE 00779
FINISH 仕上 SEE TABLE			DRAWING NO 番号 C=172039
WEIGHT 7.3 g			RESTRICTED TO
CUSTOMER DRAWING			SCALE 尺度 2:1
			SHEET 1 OF 1
			REV E7