

MD and MDP Series



MD (Soft Actuator) MDP (Hard Actuator)

Features/Benefits

- Short travel
- Good tactile feedback
- Self cleaning
- ROHS
- 2 actuator material

Typical Applications

- Aircraft
- Instrument
- Panels
- Radio equipment

Specification

Function : Momentary action
 Contact type : Normally Open - SPST
 Terminals : Through hole PCB terminations

Mechanical

	Operating force (N)	Tactile feeling ($\Delta\%$)	Operating life	Travel (mm)
MD	2,4 N \pm 25%	\geq 15%	\geq 10 ⁶	0.95 mm \pm 0.35
MDP	2,6 N \pm 25%	\geq 25%	\geq 2x10 ⁵	0.4 mm \pm 0.25

Electrical

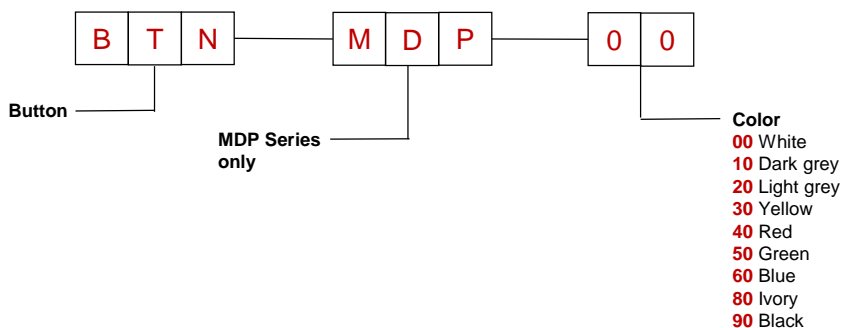
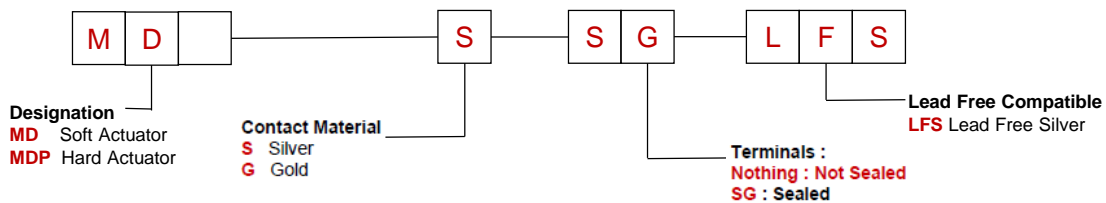
	Silver	Gold
Maximum power:	1,0 VA	0,2 VA
Maximum voltage:	100 Vdc	100 Vdc
Minimum voltage:	20 mVdc	20 mVdc
Min/max current:	1.0 mA – 100 mA	50 μ A – 50 mA
Dielectric strength:	\geq 250 Vrms	
Contact resistance:	\leq 100 m Ω	
Insulation resistance: (between terminals)	Initial measurement: \geq 1 G Ω After damp heat : \geq 10 M Ω	
Bounce time:	\leq 3ms	

Environmental

	Silver	Gold
Operating temperature	- 25°C / + 70°C	- 55°C / + 85°C

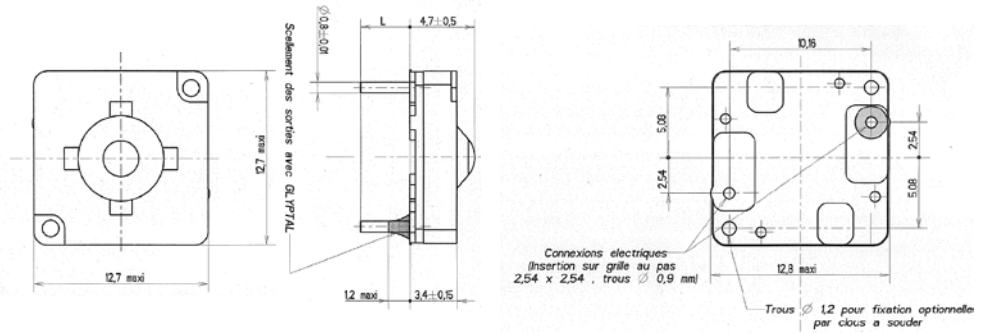
Part Number Description

For any part number different from those listed below, please consult your local representative

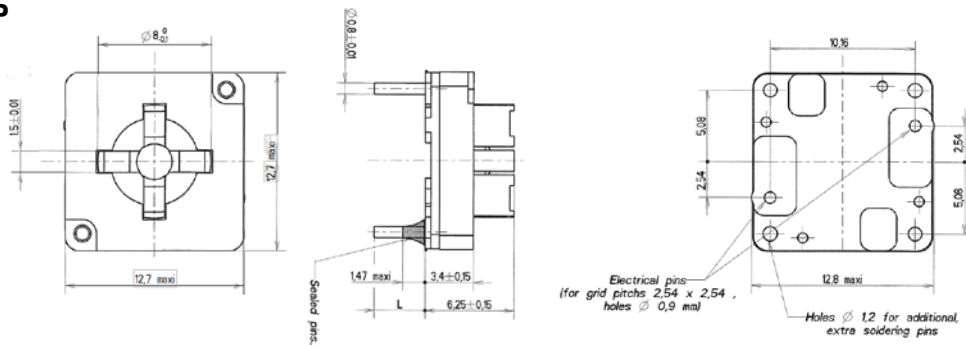


Dimensions shown in mm (inch)
 Specifications and dimensions subject to change

MD



MDP



Bouton MDP

