

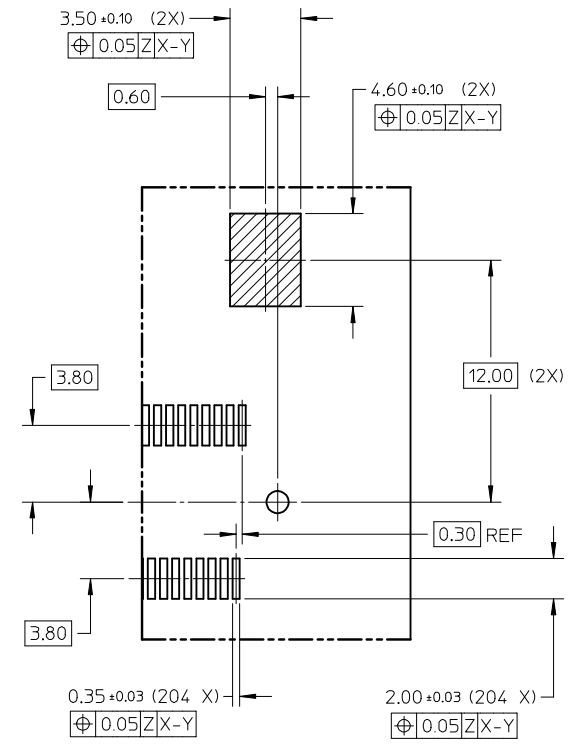
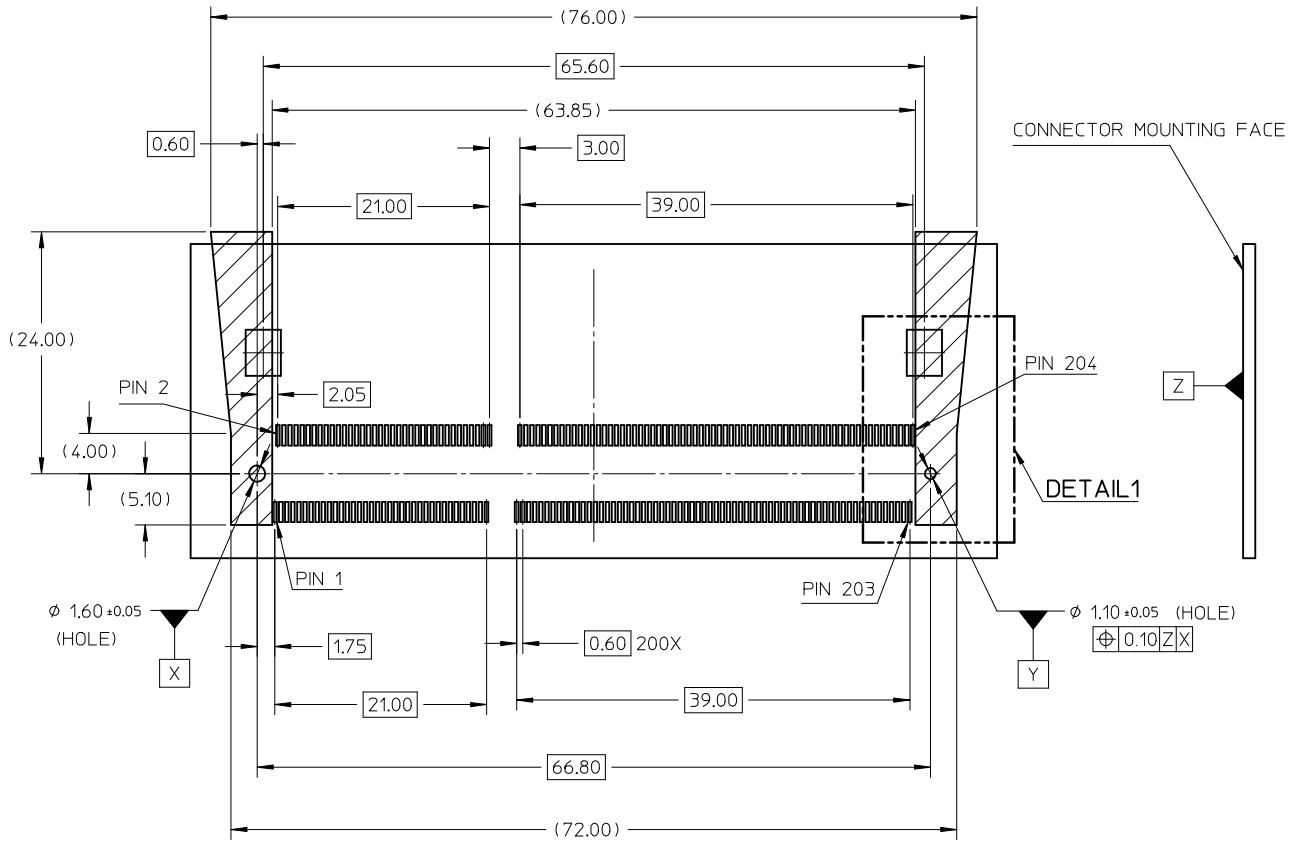
NOTE :

- MATERIAL:**
HOUSING : LCP - UL94V-0, COLOR: BLACK
CONTACTS : COPPER ALLOY
LOCK LEVER : STAINLESS STEEL
- FINISHES:**
CONTACT AREA : REFER TABLE.
SOLDER TAIL AREA : GOLD FLASH OVER 50µN/1.27µM NICKEL.
LOCK LEVER SOLDER PAD: 100µN/2.54µM MATTE TIN OVER 50µN/1.27µM NICKEL.
- RECOMMENDED MODULE LAYOUT SHALL BE AS PER JEDEC MO-268
- PRODUCT SPEC AS PER - PS-78194-001, PS-78194-003
- PART SHALL BE PACKED IN TRAY / TAPE & REEL
- EDGE OF CONTACT PADS SHALL BE FREE OF BURRS AND EXTERNAL TIE BARS
- THE ADDITION OF THIS BEVEL IS A FABRICATION OPTION AND IS NOT REQUIRED. THE BEVEL AIDS THE INSERTION OF THE MODULES INTO THE CONNECTOR.
THE BEVEL MUST NOT ENCRORCH ONTO GOLD PADS.
- COPLANARITY INCLUDES HOLD DOWN 0.1 MAX

PART NO.	CONTACT AREA FINISH	SOLDER TAIL FINISH	PACKAGING
78194-0001	3µN/0.076µM GOLD OVER 50µN/1.27µM NICKEL	GOLD FLASH OVER 50µN/1.27µM NICKEL	TRAY
78194-1501	15µN/0.38µM GOLD OVER 50µN/1.27µM NICKEL		
78194-3001	30µN/0.76µM GOLD OVER 50µN/1.27µM NICKEL	GOLD FLASH OVER 50µN/1.27µM NICKEL	TAPE & REEL
78194-0011	3µN/0.076µM GOLD OVER 50µN/1.27µM NICKEL		
78194-1511	15µN/0.38µM GOLD OVER 50µN/1.27µM NICKEL		
78194-3011	30µN/0.76µM GOLD OVER 50µN/1.27µM NICKEL		

ADD GF DETAILS EC NO: S2010-0162 DRWN: TARUMUGHAM CHKD: CGTAN APPR: SHLENI	2009/08/28 2009/08/28 2009/09/02	DESCRIPTION QUALITY SYMBOLS ▽=0 ◻=0	GENERAL TOLERANCES (UNLESS SPECIFIED)		DIMENSION STYLE MM ONLY	SCALE NTS	DESIGN UNITS METRIC	THIRD ANGLE PROJECTION
			4 PLACES ± --- ± --- 3 PLACES ± --- ± --- 2 PLACES ± 0.2 ± --- 1 PLACE ± --- ± ---	mm INCH	DRAWN BY: VMANICKAM DATE: 2007/07/16 CHECKED BY: CCTEH DATE: 2007/09/03 APPROVED BY: SHLENI DATE: 2007/09/03	TITLE DDR3 SODIMM 204 CKTS, 4.0MM HEIGHT STANDARD ORIENTATION		
			ANGULAR ± 2 °		MATERIAL NO.	MOLEX INCORPORATED		
			DRAFT WHERE APPLICABLE MUST REMAIN WITHIN DIMENSIONS		SEE TABLE	DOCUMENT NO. SD-78194-001	SHEET NO. 1 OF 5	

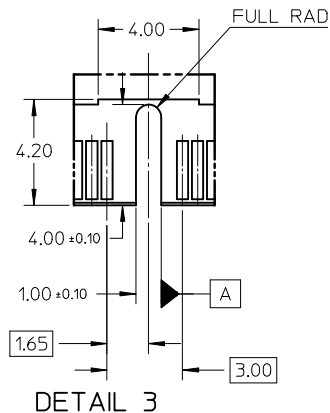
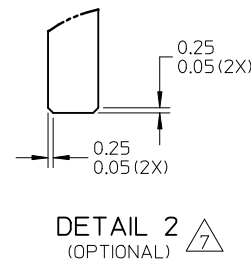
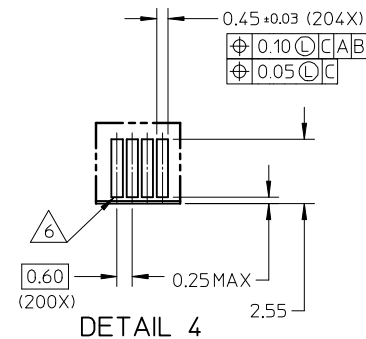
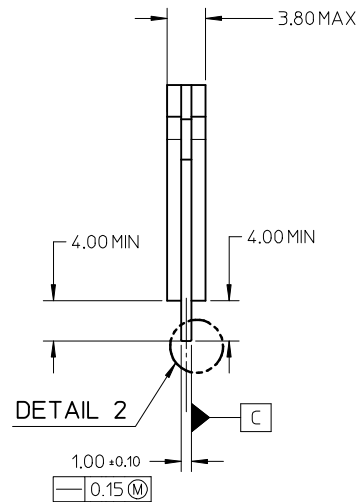
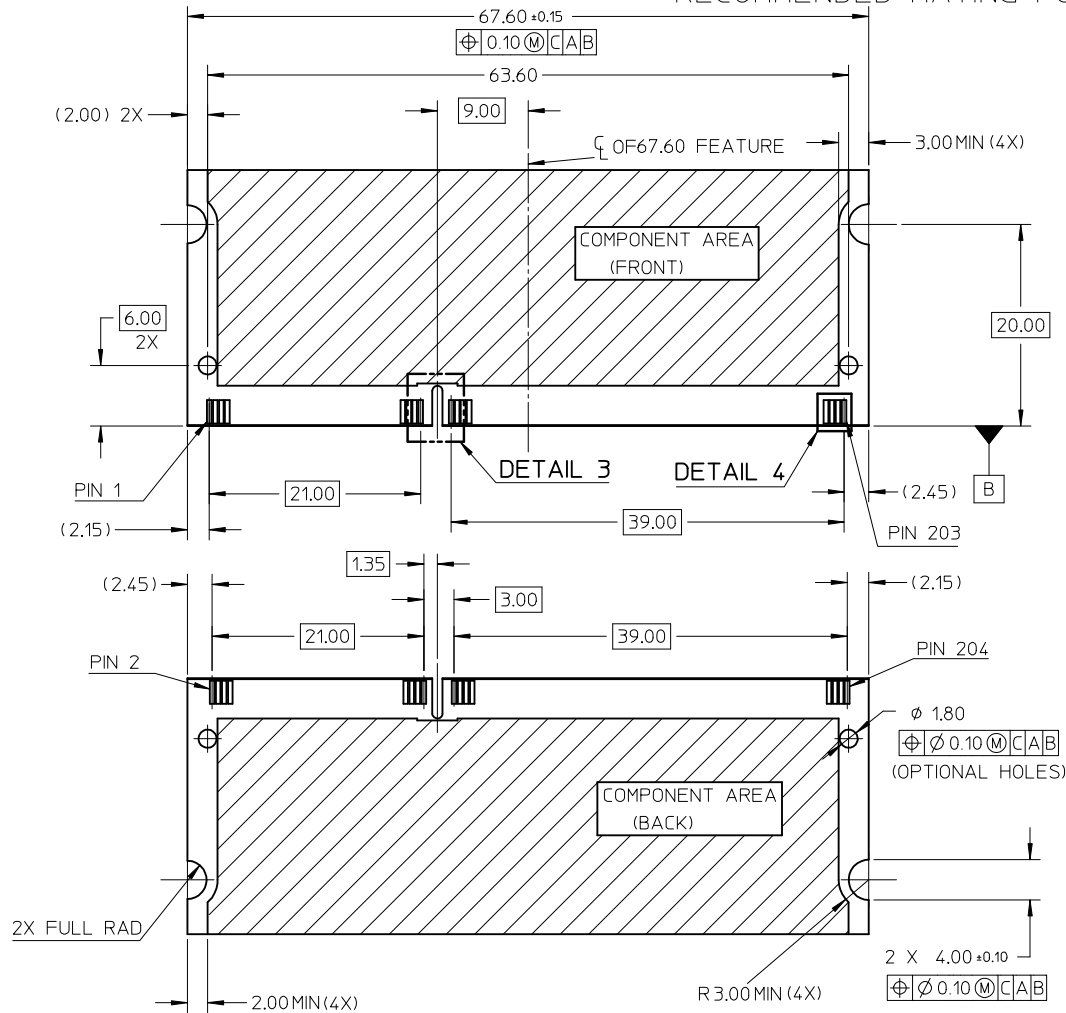
RECOMMENDED PCB LAYOUT FOR STANDARD ORIENTATION (TOP VIEW)



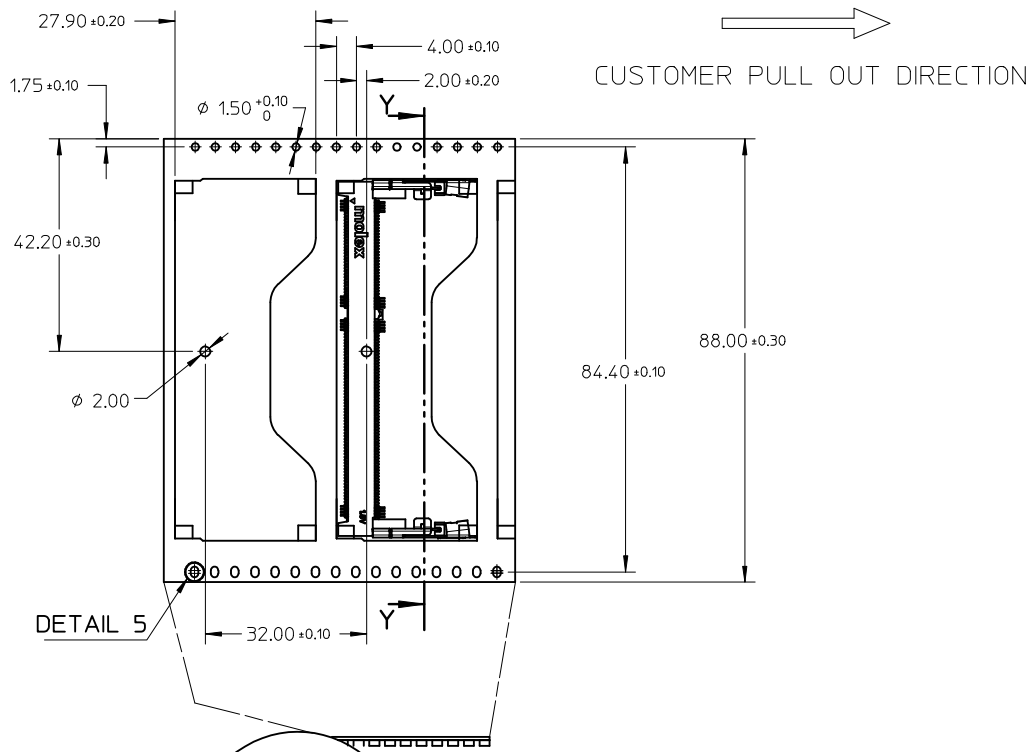
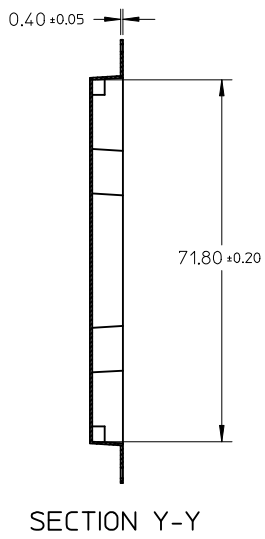
DETAIL1

ADD GF DETAILS EC NO: S2010-0162 DRWN: TARUNGHAM 2009/08/28 CHKD: CGTAN 2009/08/28 APPR: SHLENI 2009/09/02	DESCRIPTION REV	QUALITY SYMBOLS	GENERAL TOLERANCES (UNLESS SPECIFIED)	DIMENSION STYLE	SCALE	DESIGN UNITS	THIRD ANGLE PROJECTION	
		$\nabla = 0$ $\square = 0$	mm INCH 4 PLACES ± --- ± --- 3 PLACES ± --- ± --- 2 PLACES ± 0.2 ± --- 1 PLACE ± --- ± --- ANGULAR ± 2 °	MM ONLY	NTS	METRIC		
			DRAFT WHERE APPLICABLE MUST REMAIN WITHIN DIMENSIONS	DRAWN BY: VMANICKAM 2007/07/16 CHECKED BY: CCTEH 2007/09/03 APPROVED BY: SHLENI 2007/09/03 MATERIAL NO.	TITLE	DDR3 SODIMM 204 CKTS, 4.0MM HEIGHT STANDARD ORIENTATION		SHEET NO.
		A3		SEE TABLE	MOLEX INCORPORATED DOCUMENT NO. SD-78194-001		2 OF 5	

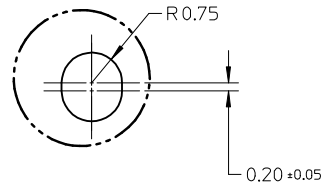
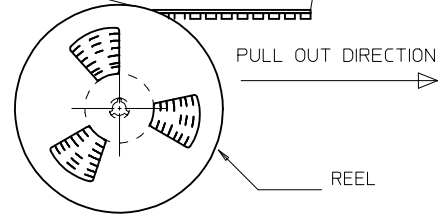
RECOMMENDED MATING PCB CONFIGURATION



ADD GF DETAILS EC NO: S2010-0162 DRWN: TARUNGHAM 2009/08/28 CHKD: CGTAN 2009/08/28 APPR: SHLENI 2009/09/02	DESCRIPTION REV	QUALITY SYMBOLS	GENERAL TOLERANCES (UNLESS SPECIFIED)	DIMENSION STYLE	SCALE	DESIGN UNITS	THIRD ANGLE PROJECTION	
		▼ = 0 ◻ = 0	mm INCH 4 PLACES ± --- ± --- 3 PLACES ± --- ± --- 2 PLACES ± 0.2 ± --- 1 PLACE ± --- ± --- ANGULAR ± 2 °	MM ONLY	NTS	METRIC		
				DRAWN BY: VMANICKAM CHECKED BY: CCTEH APPROVED BY: SHLENI MATERIAL NO.	DATE: 2007/07/16 DATE: 2007/09/03 DATE: 2007/09/03	TITLE: DDR3 SODIMM 204 CKTS, 4.0MM HEIGHT STANDARD ORIENTATION MOLEX INCORPORATED		
			DRAFT WHERE APPLICABLE MUST REMAIN WITHIN DIMENSIONS	SEE TABLE SIZE: A3	DOCUMENT NO.: SD-78194-001 SHEET NO.: 3 OF 5	THIS DRAWING CONTAINS INFORMATION THAT IS PROPRIETARY TO MOLEX INCORPORATED AND SHOULD NOT BE USED WITHOUT WRITTEN PERMISSION		

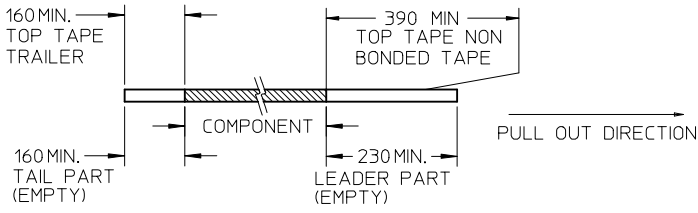


DETAIL 5

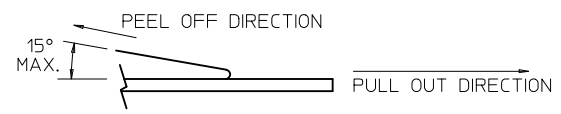


NOTES:

1. LEADER AND TRAILER TAPE



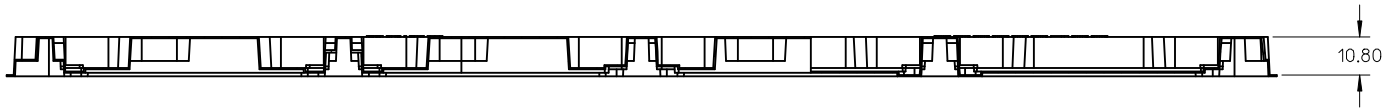
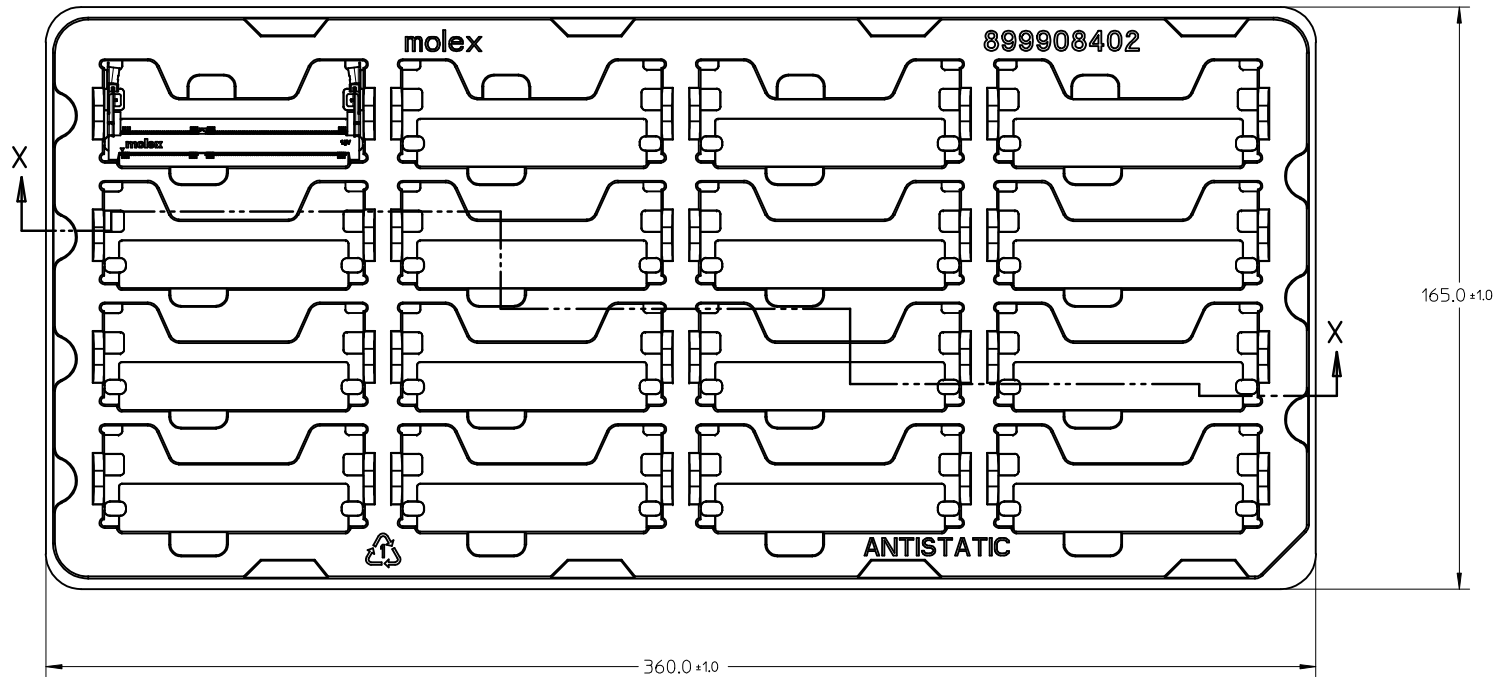
2. PEELING OFF FORCE OF THE TOP TAPE: 10 - 150gf AS PER EIA-481-B. (PEELING DIRECTION AS SHOWN IN FOLLOWING FIGURE)



- 3. TAPE AND REEL SPECIFICATION IS AS PER EIA-481.
- 4. TAPE AND REEL QUANTITY : 250 PCS/ REEL.
- 5. THE TAPE IS TREATED FOR ANTI-STATIC.

ADD GF DETAILS EC NO: S2010-0162 DRWN: TARUNGHAM 2009/08/28 CHKD: CGTAN 2009/08/28 APPR: SHLENI 2009/09/02	QUALITY SYMBOLS ▽=0 ◻=0	GENERAL TOLERANCES (UNLESS SPECIFIED)		DIMENSION STYLE	SCALE	DESIGN UNITS	THIRD ANGLE PROJECTION		
				MM ONLY	NTS	METRIC			
			mm	INCH	DRAWN BY	DATE	TITLE		
		4 PLACES	± ---	± ---	VMANICKAM	2007/07/16	DDR3 SODIMM		
3 PLACES	± ---	± ---	CCTEH	2007/09/03	204 CKTS, 4.0MM HEIGHT				
2 PLACES	± 0.2	± ---	APPROVED BY		DATE	STANDARD ORIENTATION			
1 PLACE	± ---	± ---	SHLENI		2007/09/03	MOLEX INCORPORATED			
ANGULAR ± 2 °		DRAFT WHERE APPLICABLE MUST REMAIN WITHIN DIMENSIONS		MATERIAL NO.	DOCUMENT NO.				
				SEE TABLE	SD-78194-001				
				SIZE	THIS DRAWING CONTAINS INFORMATION THAT IS PROPRIETARY TO MOLEX INCORPORATED AND SHOULD NOT BE USED WITHOUT WRITTEN PERMISSION				
				A3	4 OF 5				

10 9 8 7 6 5 4 3 2 1



SECTION X-X

- NOTES:
 1. DRAFT ANGLE OF 3° UNLESS OTHERWISE SPECIFIED
 2. CAVITY QTY: 4X4=16

ADD GF DETAILS EC NO: S2010-0162 DRWN: TARUMGHAM 2009/08/28 CHKD: CGTAN 2009/08/28 APPR: SHLENI 2009/09/02	QUALITY SYMBOLS	GENERAL TOLERANCES (UNLESS SPECIFIED)		DIMENSION STYLE	SCALE	DESIGN UNITS	THIRD ANGLE PROJECTION	
	▼ = 0 □ = 0	mm	INCH	MM ONLY	NTS	METRIC		
		4 PLACES ± --- ± ---		DRAWN BY	DATE	TITLE		
		3 PLACES ± --- ± ---		VMANICKAM	2007/07/16	DDR3 SODIMM		
	2 PLACES ± 0.2 ± ---		CCTEH	2007/09/03	204 CKTS, 4.0MM HEIGHT			
	1 PLACE ± --- ± ---		SHLENI	2007/09/03	STANDARD ORIENTATION			
			ANGULAR ± 2 °		MOLEX MOLEX INCORPORATED			
			DRAFT WHERE APPLICABLE MUST REMAIN WITHIN DIMENSIONS		MATERIAL NO.	DOCUMENT NO.	SHEET NO.	
			SEE TABLE			SD-78194-001	5 OF 5	
			THIS DRAWING CONTAINS INFORMATION THAT IS PROPRIETARY TO MOLEX INCORPORATED AND SHOULD NOT BE USED WITHOUT WRITTEN PERMISSION					

9 8 7 6 5 4 3 2 1