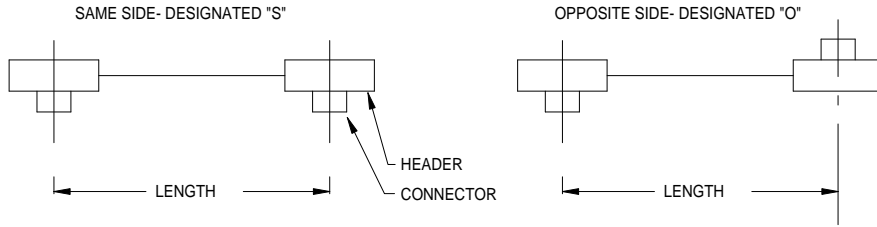


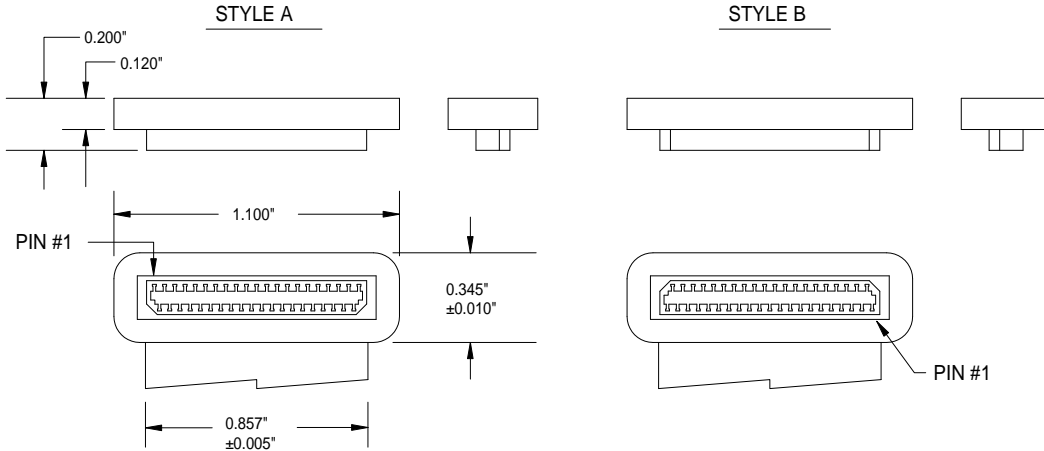
## RESPECTIVE END ORIENTATIONS



**PROPRIETARY INFORMATION NOTICE**  
 This document and the designs, specifications, and engineering information disclosed herein are the property of Parlex USA LLC, and are not to be disseminated or reproduced without expressed written consent. This document is loaned in confidence and then only for consideration of the matter disclosed hereon. In accepting loan of this document, the recipient agrees to keep it and the matter disclosed hereon in confidence and not to use or permit their use in any way detrimental to Parlex USA LLC.

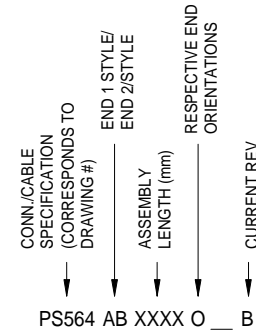
## CREATING A PART NUMBER

## CONNECTOR ORIENTATION WITH RESPECT TO CABLE



### NOTES

- 1) INSULATION: 0.002" THICK POLYESTER
- 2) CONDUCTORS: 0.003" X 0.011" (39 PLACES)  
0.003" X 0.026" (2 PLACES, OUTER)
- 3) HEADER MATERIAL: DUPONT 612 NYLON
- 4) CONNECTOR: HIROSE P/N DF9C-41S-1V
- 5) CABLE RATING: AWM STYLE 20890 105°C, 90V, VW-1
- 6) CABLE THICKNESS= 0.010"±0.002"
- 7) CABLE WIDTH= 0.857"±0.005"



i.e. PS564AA02540 B

EXAMPLE GIVEN INDICATES A 41 POS. CABLE ASSEMBLY TERMINATED WITH HIROSE CONNECTORS (P/N DF9C-41S-1V) IN WHICH PIN #1 TRACES TO PIN #1, ASSEMBLY IS 10.000" IN LENGTH, AND CONNECTORS ARE ON OPPOSITE SIDES OF CABLE AS DEFINED AT LEFT.



**PARLEX**  
 A Johnson Electric Company

END DETAILS FOR TERMINATING CABLE WITH  
 41 POS. S/M HIROSE CONNECTORS

SIZE <b>B</b>	FSCM <b>18377</b>	<b>PS-564</b>	REV <b>B</b>
SCALE	2:1	SHEET	1 OF 1