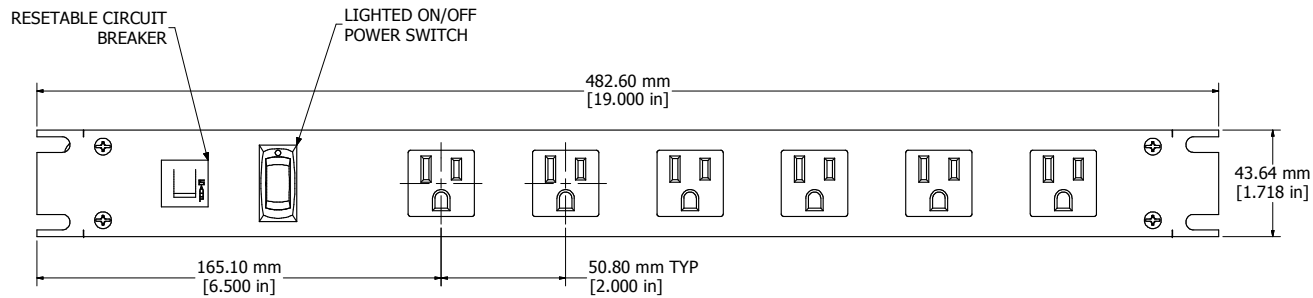
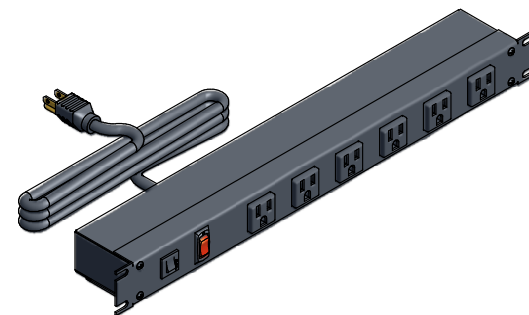


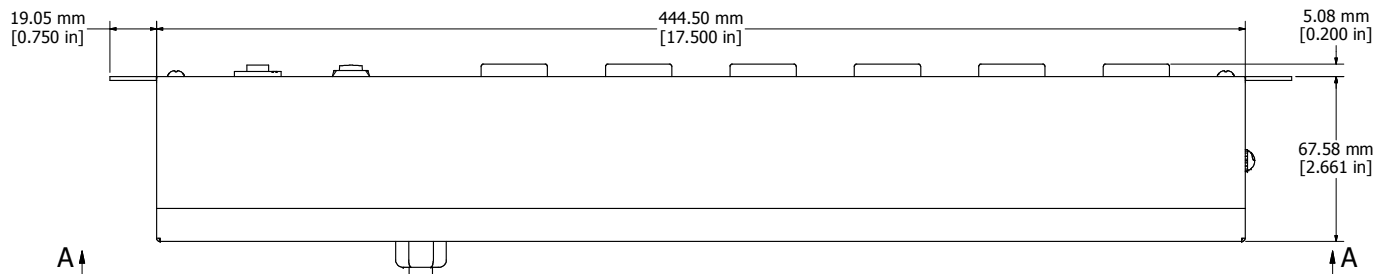
8 | 7 | 6 | 5 | 4 | 3 | 2 | 1



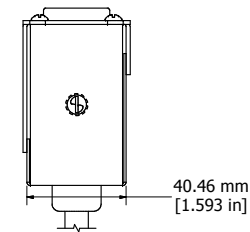
ASSEMBLY - VIEW FROM FRONT



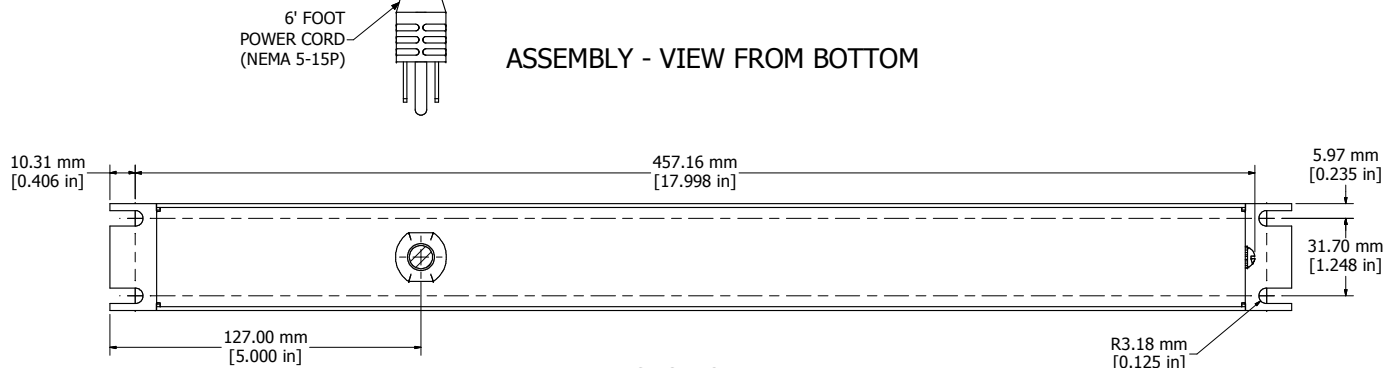
ISOMETRIC VIEW



ASSEMBLY - VIEW FROM BOTTOM



ASSEMBLY - VIEW FROM SIDE



SECTION A-A

<b>1582H6A1BKRA</b>	
Finish - Front - Black Painted Steel	
Back - Black Painted Steel	
Rated - 125 VAC, 60 Hz, 15 Amps	
Approvals - CSA Certified Standards C22.2 (No. 21-95, 42-99)	
- UL Recognized Standard UL1363	
<b>Cord Length</b>	
1582H6A1BKRA	- 6' Foot Power Cord (NEMA 5-15P)
1582H6B1BKRA	- 15' Foot Power Cord (NEMA 5-15P)

**HAMMOND MANUFACTURING™**

**1582H6A1BKRA**

www.hammondmfg.com

8 | 7 | 6 | 5 | 4 | 3 | 2 | 1