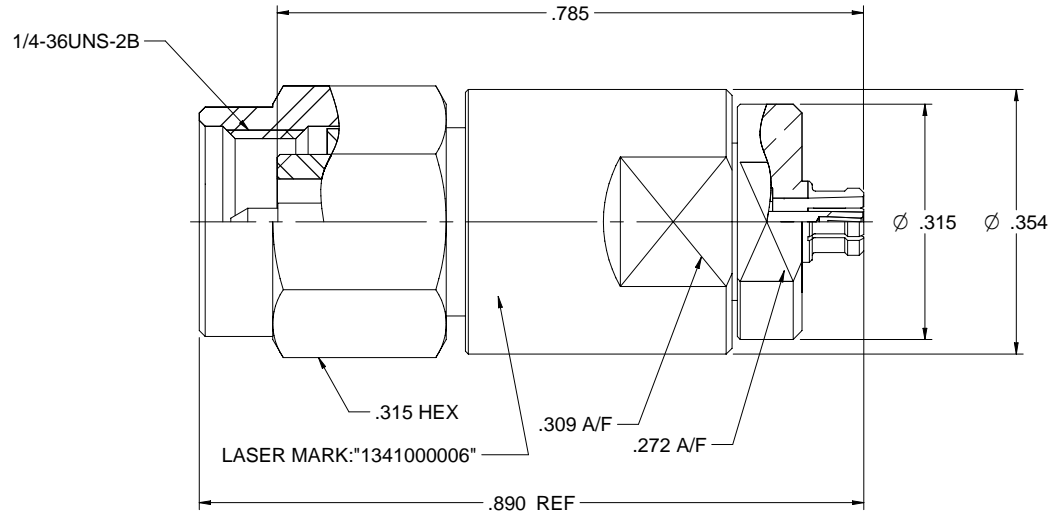


MODEL NO.	PACKAGING
134-1000-006	ONE PCS PER BAG

REV	ECO	DATE
001	ECO-17-002B	11/28/2017



NOTES: UNLESS OTHERWISE SPECIFIED

1. MATERIAL & FINISH:

- 1.1 BODY & SHELL: PASSIVATED STAINLESS STEEL
- 1.2 CONTACT PIN & CONTACT BODY: GOLD PLATED BERYLLIUM COPPER
- 1.3 INSULATOR1: ULTEM1000 AMBER
- 1.4 INSULATOR2: PTFE WHITE
- 1.5 C RING: BERYLLIUM COPPER
- 1.6 GASKET: SILICONE RED

2. ELECTRICAL:

- 2.1 IMPEDANCE: 50 OHMS
- 2.2 FREQUENCY RANGE: 0-40 GHz
- 2.3 VOLTAGE STANDING WAVE RATIO: 1.3 MAX
- 2.4 DIELECTRIC WITHSTANDING VOLTAGE: 325 VRMS MIN
- 2.5 CONTACT RESISTANCE:
 - 2.5.1 CENTER CONTACT: 6 MILLIOHM MAX
 - 2.5.2 OUTER CONTACT: 2 MILLIOHM MAX
- 2.6 INSULATOR RESISTANCE: 5000 MEGOHM MIN

3. MECHANICAL:

- 3.1 ENGAGEMENT FORCE: 0.23 NM MAX (SMK)
FULL DETENT 19 N MAX, SMOOTH BORE 11 N MAX (SMPM)
- 3.2 DISENGAGEMENT FORCE: 0.23 NM MAX (SMK)
FULL DETENT 29 N MAX, SMOOTH BORE 11N MAX (SMPM)
- 3.3 COUPLING PROOF TORQUE: 1.7 NM MIN.(SMK)
- 3.4 COUPLING NUT RETENTION: 267N MIN
- 3.5 CONTACT RETENTION: 22 N MIN
- 3.6 DURABILITY: 500 CYCLES MIN (SMK)
FULL DETENT 100 CYCLES MIN, SMOOTH BORE 500 CYCLES MIN (SMPM)

4. ENVIRONMENT:

- 4.1 THERMAL SHOCK: MIL-STD-202, METHOD 107, CONDITION B.
- 4.2 OPERATING TEMPERATURE: -55TO 125°C
- 4.3 SALT SPRAY: MIL-STD-202, METHOD 101, CONDITION B
- 4.4 SHOCK: MIL-STD-202, METHOD 213, CONDITION I
- 4.5 VIBRATION: MIL-STD-202, METHOD 204, CONDITION D
- 4.6 MOISTURE RESISTANCE: MIL-STD-202, METHOD 106

	Model No. 134-1000-006	Johnson	
	RoHS2 EU 2011/65/EU REACH 2002/61/EC 2009/18/CE	Title: ADAPTER ASSEMBLY, SMK(2.92mm) PLUG TO SMPM JACK	Drawing No. 134-1000-006
XXXX-02 XXXX-01 ANGLES: 45°	Date: 10/10/2017	Size: C DO NOT SCALE DRAWING	Sheet 1 of 1