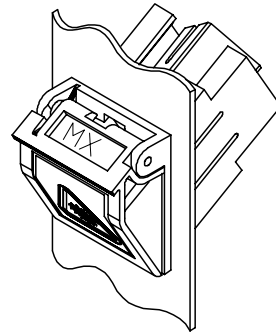
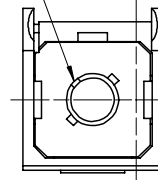


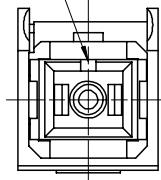
| KIT P/N | VERSION | SLEEVE MATERIAL | BEZEL FRAME/DOOR COLOR | ADAPTER COLOR | DOOR TYPE |
|-------------|----------------|-----------------|------------------------|---------------|-----------|
| 106004-3580 | 1 (ST-SC) | PHOSPHOR BRONZE | METAL/METAL | METAL | MX LOGO |
| 106004-3581 | | ZIRCONIA | METAL/BLACK | | |
| 106004-3587 | | PHOSPHOR BRONZE | METAL/METAL | | |
| 106004-3582 | 2 (FC-SC) | ZIRCONIA | METAL/BLACK | | |
| 106004-3583 | | PHOSPHOR BRONZE | METAL/METAL | | |
| 106004-3596 | 3 (SC-SC) | ZIRCONIA | METAL/BLACK | | |
| 106004-3584 | | PHOSPHOR BRONZE | METAL/METAL | | |
| 106004-3585 | | ZIRCONIA | METAL/BLACK | | |
| 106004-3586 | 4 (MTP-MTP) | N/A | BLACK/BLACK | BLACK | |
| 106004-3589 | | N/A | METAL/BLACK | METAL | |
| 106004-3597 | | N/A | BLACK/BLACK | BLACK | |
| 106004-3590 | 1 (ST-SC) | PHOSPHOR BRONZE | METAL/METAL | METAL | NO LOGO |
| 106004-3591 | | ZIRCONIA | | | |
| 106004-3592 | 2 (FC-SC) | PHOSPHOR BRONZE | | | |
| 106004-3593 | | ZIRCONIA | | | |
| 106004-3594 | 3 (SC-SC) | PHOSPHOR BRONZE | | | |
| 106004-3595 | | ZIRCONIA | | | |
| 106004-3598 | 4 (MTP-MTP) | N/A | BLACK/BLACK | BLACK | |
| 106004-3599 | | N/A | BLACK/BLACK | BLACK | |



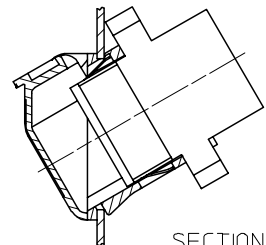
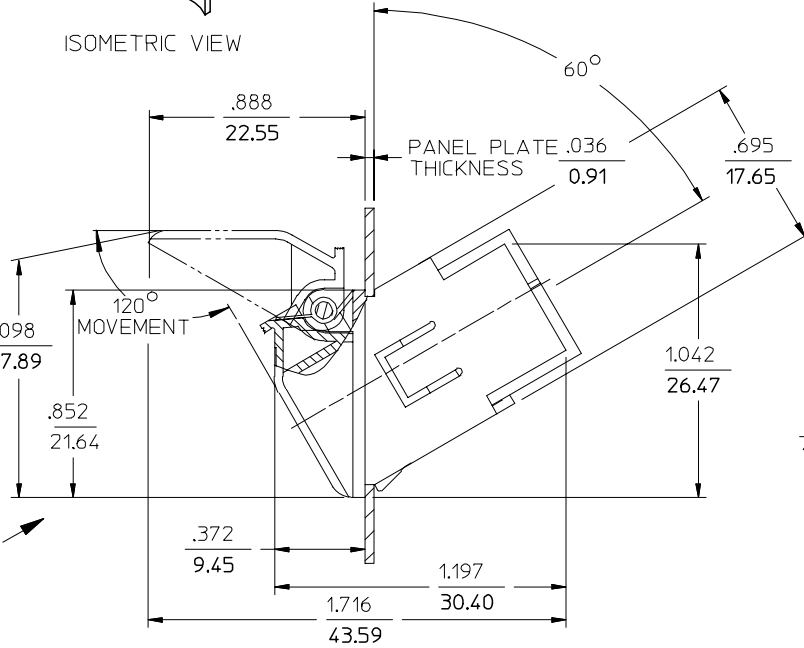
ISOMETRIC VIEW



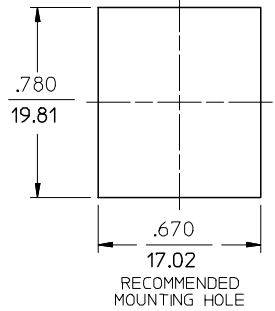
VIEW A
VERSION 1 & 2 (KEY LOCATION)
DOOR REMOVED
ROTATED 30° CW



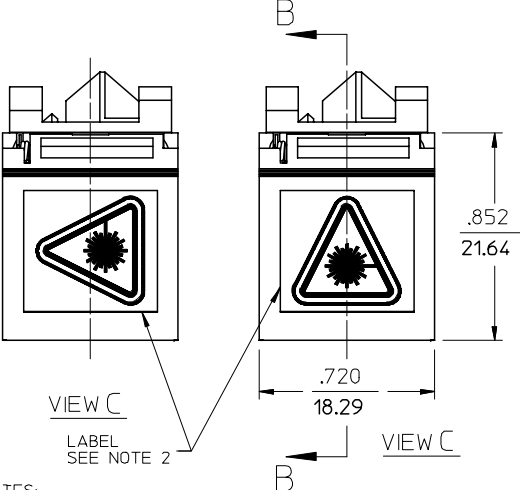
VIEW A
VERSION 3 (SC-SC)
DOOR REMOVED
ROTATED 30° CW



SECTION B-B
VERSION 4 (MTP-MTP)
SEE NOTE 3



RECOMMENDED MOUNTING HOLE



VIEW C
LABEL SEE NOTE 2

- NOTES:
- LABEL TO BE INSTALLED BY CUSTOMER.
 - MTP-MTP ADAPTER (VERSION 4) TO BE ASSEMBLED BY CUSTOMER, AFTER BEZEL IS INSTALLED IN PANEL CUTOUT.

| | | | | | | | |
|--------------------------------------------------------------------------------------------------------------------------------------|-----------------|-------------------------------------------------------------------------------------------------------------------------|--------------------------------------|-------------------------------------------------------------------------------------------------------------------------------|--------------------------------------------|------------------------|--|
| ENTER DESCRIPTION EC NO: MF2006-0824 DRWNG/REVZNR 2006/06/13 CHKD: 2006/06/13 APPR: IGUMIN 2006/06/15 REV DESCRIPTION | QUALITY SYMBOLS | GENERAL TOLERANCES (UNLESS SPECIFIED) | DIMENSION STYLE | SCALE | DESIGN UNITS | THIRD ANGLE PROJECTION | |
| | ▽=0 ▽=0 | mm INCH 4 PLACES ± --- ± --- 3 PLACES ± --- ± --- 2 PLACES ± --- ± --- 1 PLACE ± --- ± --- ANGULAR ±1/2° | IN/MM | 2:1 | INCH | | |
| | | | DRAWN BY: RPACIFICI DATE: 2005/10/20 | TITLE | METALIZED SIMPLEX BEZEL KITS WITH PUSH TAB | | |
| | | | CHECKED BY: DATE: | MOLEX INCORPORATED | | | |
| | | | APPROVED BY: DATE: | DOCUMENT NO. SD-106004-35XX | | | |
| | | | MATERIAL NO. SEE TABLE | SHEET NO. 1 OF 1 | | | |
| | | | SIZE B | THIS DRAWING CONTAINS INFORMATION THAT IS PROPRIETARY TO MOLEX INCORPORATED AND SHOULD NOT BE USED WITHOUT WRITTEN PERMISSION | | | |