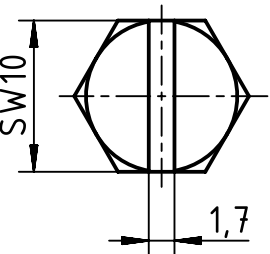
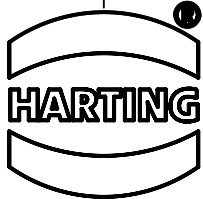


X (2:1)



M40x1,5

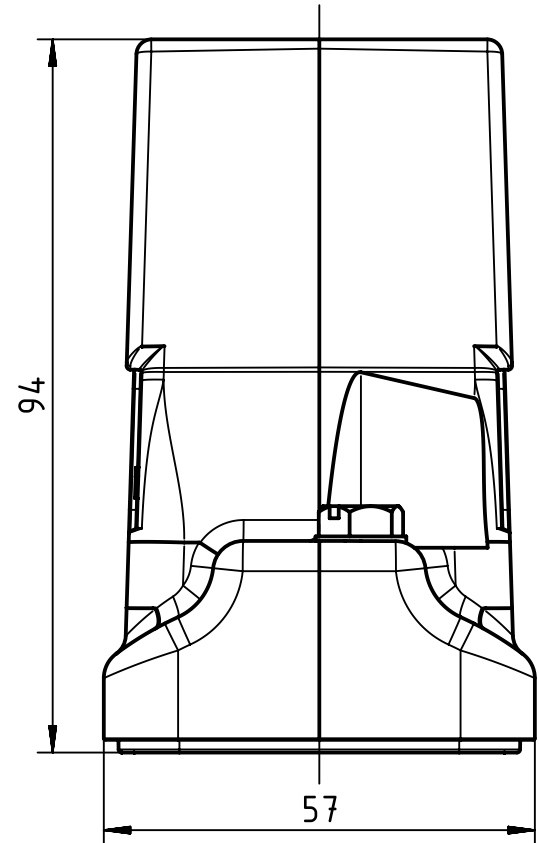


M40

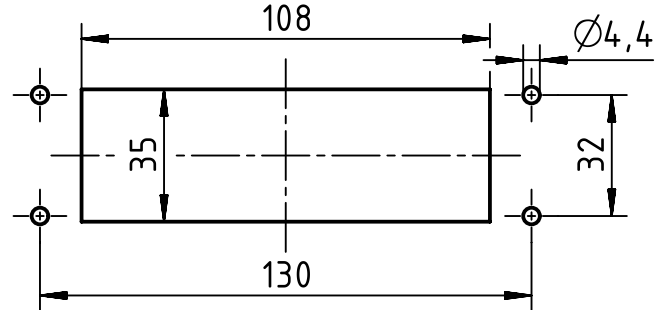
Han

19398240448
XXXXXXXXXX

Seal



Panel cut out (1:2)



	All Dimensions in mm Original Size DIN A4		Scale 1:1	Free size tol.		Ref.
	All rights reserved Department EL PD - CN		Created by LONGL	Inspected by WENE	Standardisation SCHMIDTM	Sub.
HARTING (Zhuhai) Manufacturing Co., Ltd. 519085 Zhuhai, China			Title Han 24HP Direct/EMV-HTE-M40			Date 2017-03-20
			Type TB	Number 19 39 824 0448		State Final Release
						Doc-Key / ECM-Nr. 100665272/UGD/005/C 500000116967
						Rev. C
						Page 1/1