



## CREE™ XP® ADHESIVE-BACKED LENS SYSTEM



Patent: 7,874,703

### FEATURES / BENEFITS

- ▲ For CREE XPE & XPC LEDs
- ▲ Available in spot, medium, wide, frosted spot and oval lenses
- ▲ Integral self-adhesive pad
- ▲ Compact size
- ▲ Greater than 80% efficiency
- ▲ 3 alignment tabs to ensure accurate placement over LED
- ▲ Frosted model for even light output within 7° half divergence & smooth tailoff. Designed to minimize hot spots & fringing in color mixing applications

### OPERATING CONDITIONS

- ▲ -40°C to +110°C temperature

### MATERIALS/FINISH

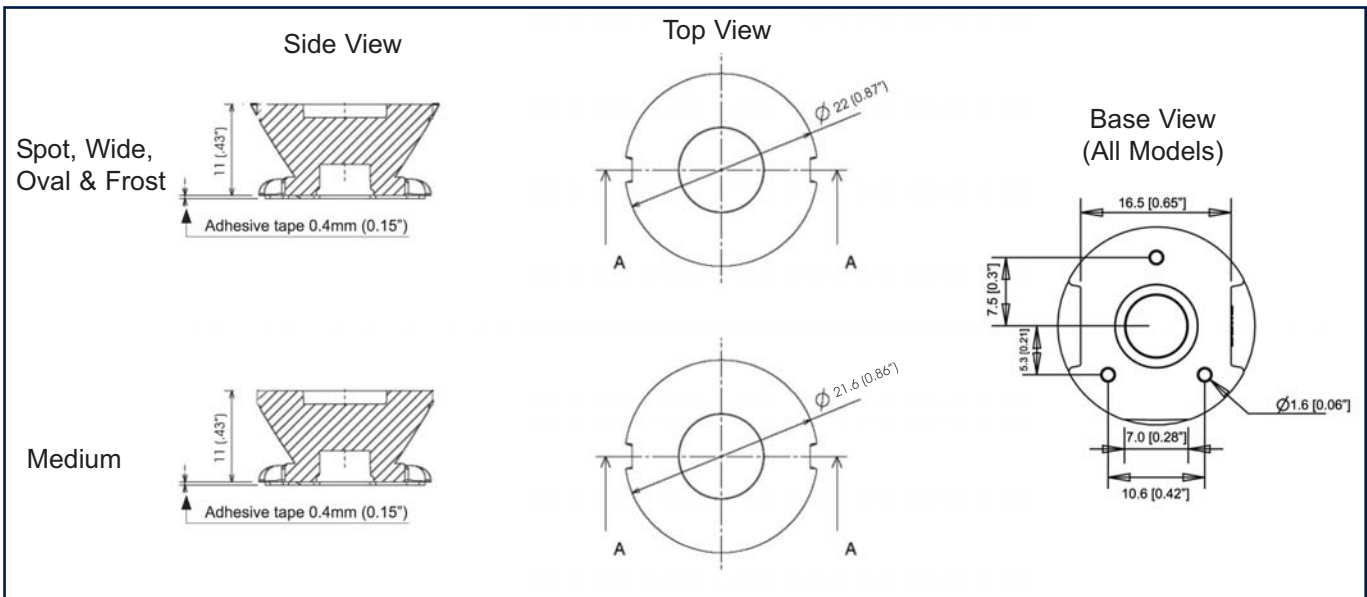
- ▲ Optical grade polycarbonate 143R

### ORDERING INFORMATION

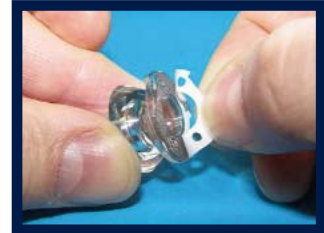
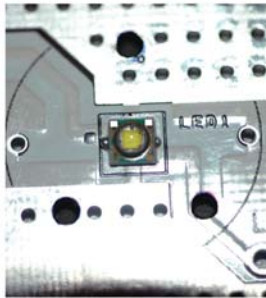
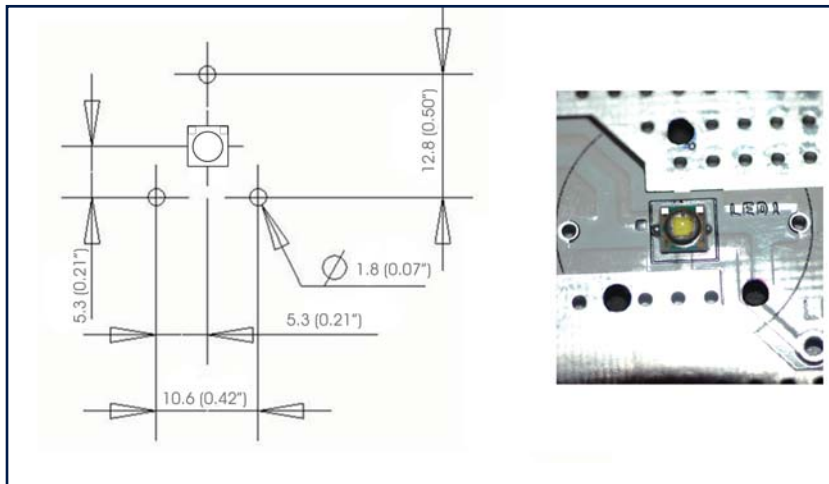
BASE LENSES		
Dialight P/N	Description	Degree*
OPXP1SPOT	Spot Base Module for CREE XPE & XPC	5°
OPXP1SDIF	Diffused Spot Base Module for CREE XPE & XPC	7°
OPXP1MDIF	Medium Diffused Base Module for CREE XPE & XPC	10°
OPXP1OVAL	Oval Base Module for CREE XPE & XPC	8° X 25°
OPXP1WIDE	Wide Diffused Base Module for CREE XPE & XPC	20°

\*All angles refer to half divergence

# MECHANICAL DIMENSIONS

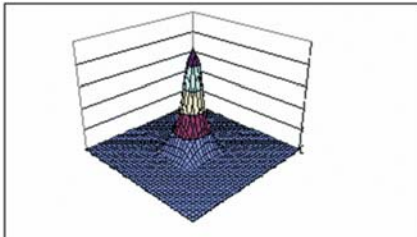


# PCB ALIGNMENT DIMENSION DETAILS

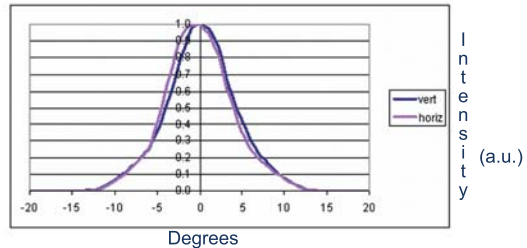


# PHOTOMETRIC DATA FOR SPOT VERSION

3 D surface Plot based on simulation



Horizontal and vertical Scans (Lab Measurement)



For photometric data on other models, please contact factory

Dialight reserves the right to make changes at any time in order to supply the best product possible.

The most current version of this document will always be available at:

[www.dialight.com/Assets/Brochures\\_And\\_Catalogs/Illumination/MDEXLUMADBCREEXP.pdf](http://www.dialight.com/Assets/Brochures_And_Catalogs/Illumination/MDEXLUMADBCREEXP.pdf)

MDEXLUMADBCREEXP\_C