

Millenium 3

→ Expandable version

- "High-performance" expandable solution with display
- Extended memory: 120 lines in LADDER language and up to 700 "typical" blocks in FBD language
- LCD with 4 lines of 18 characters and configurable backlighting
- Selective parameter setting: You can choose the parameters that can be adjusted on the front panel
- Analogue inputs 0-10 V $\overline{\text{---}}$ or 0-20 mA/Pt 100 with converters see page 46
- Open to XN network communication extensions and digital I/O or analogue extensions



XD10



XD26

Part numbers

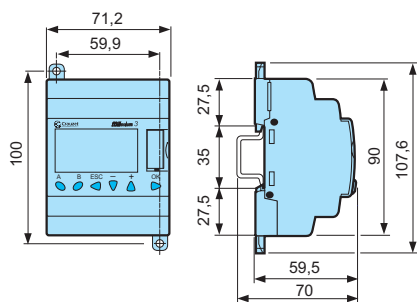
Type	Input	Output	Supply	Code
XD10	6 digital of which 4 are analogue	4 relay	24 V $\overline{\text{---}}$	88970141
	6 digital of which 4 are analogue	4 solid state of which 1 is PWM	24 V $\overline{\text{---}}$	88970142
	6 digital	4 relay	100 → 240 V \sim	88970143
	6 digital	4 relay	24 V \sim	88970144
XD26	16 digital of which 6 are analogue	10 relay	24 V $\overline{\text{---}}$	88970161
	16 digital of which 6 are analogue	10 solid state of which 4 is PWM	24 V $\overline{\text{---}}$	88970162
	16 digital	10 relay	100 → 240 V \sim	88970163
	16 digital	10 relay	24 V \sim	88970164
	16 digital of which 6 are analogue	10 relay	12 V $\overline{\text{---}}$	88970165

Accessories

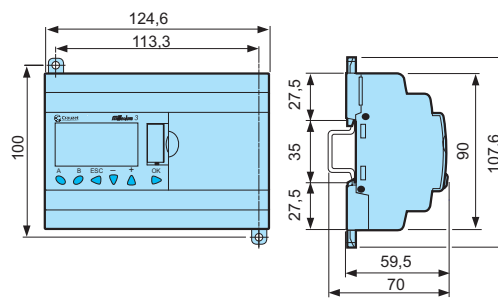
Type	Description	Code
M3 SOFT	Multilingual programming software (CD-ROM)	88970100
M3 SPECIFIC FUNCTIONS	Library of specific functions (CD-ROM)	88970103
PA	EEPROM memory cartridge	88970108
	3 m serial link cable: PC → Millenium 3	88970102
	3 m USB link cable: PC → Millenium 3	88970109
	Millenium 3 → Bluetooth interface (class A 10 m)	88970104

Dimensions (mm)

XD10



XD26



For adapted products, see page 49