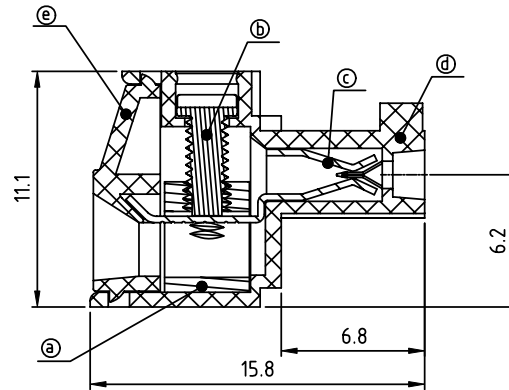
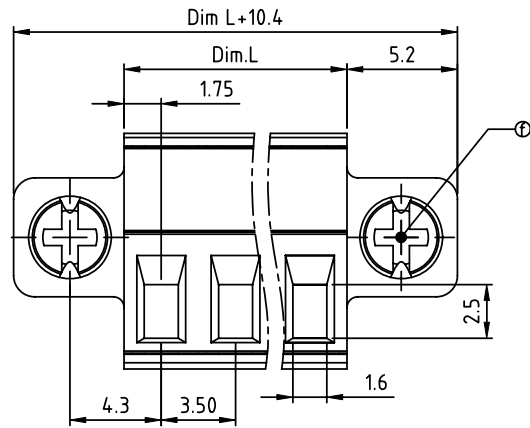
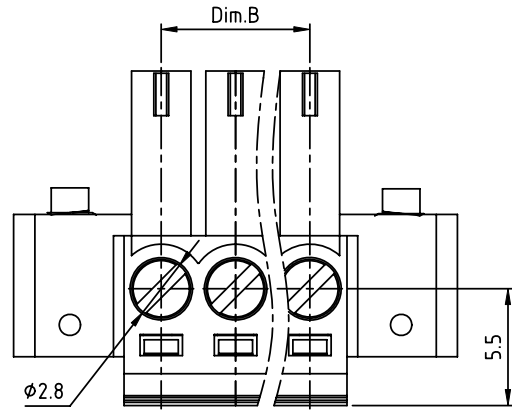


PRODUCT NUMBER	PITCH
TJxx11x200J0G	3.50 mm



Material

- Item Ⓐ Clamp: Brass(CuZn) Ni plated
- Item Ⓓ Terminal screw: Steel Zinc plating "-" slot type
- Item Ⓒ Female contact: PhBz ,Tin plated
- Item Ⓔ Terminal (housing): Thermoplastic (UL94V-0)
- Item Ⓔ Terminal (cover): Thermoplastic (UL94V-0)
- Item Ⓕ With flange screw : steel M2.5 Zinc plating "+/-" slot type

Electrical cULus/VDE

- Voltage rating: 300VAC/300VAC
- Current rating: 10A/10.5A
- Wire range: 1.5mm²
- Solid wire(AWG): 16-28
- Stranded wire(AWG): 16-28
- Torque: 3.0Lb-In/0.2Nm
- Screw: M2
- Wire strip length: 6-7mm
- Withstanding Voltage: 1.6KV/2.5KV
- Operating temperature: -40°C to +115°C
- Safety Approval:

Dim.L = N x 3.5
 Dim.B = (N-1) x 3.5
 N= number of poles

poles	2P-6P	7P-12P	13P-18P	19P-24P
Dim.L	±0.15	±0.20	±0.25	±0.30
Dim.B	±0.15	±0.20	±0.25	±0.30

PART NO.: TJ xx 1 1 x 2 00J0 G

- No. of poles: 02 2 poles, 03 3 poles, ... 24 24 poles
- Color: 0 Black (RAL9005), 2 Red (RAL3001/D), 3 Orange(RAL2011/P), 4 Yellow(RAL1018/A), 5 Green(RAL6018/T), 6 Blue (RAL5015/A), 8 Grey(RAL7035/D), 9 White(RAL1102), C Green(RAL6018/U)
- RoHS compliant (lead<4%) In copper Alloy

mat'l. code		surface ASME Y14.5 ✓	tolerance ASME Y14.5	projection 	product family TERMINAL BLOCK
ltr	ecn no	dr	date	tolerances unless otherwise specified	title TERMINAL BLOCK
				angles X°±1°	
				scale MM	PLUGGABLE PLUG, WITH FLANGE
dr	HANKE FENG	031414			dwg no TJxx11x200J0G
enr	HANKE FENG	031414			sheet 1 of 1
chr	SHI JUN	031414			size A4
appd	SHI JUN	031414			type CUSTOMER Drawing
sheet index	revision sheet	A	1		