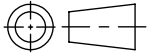
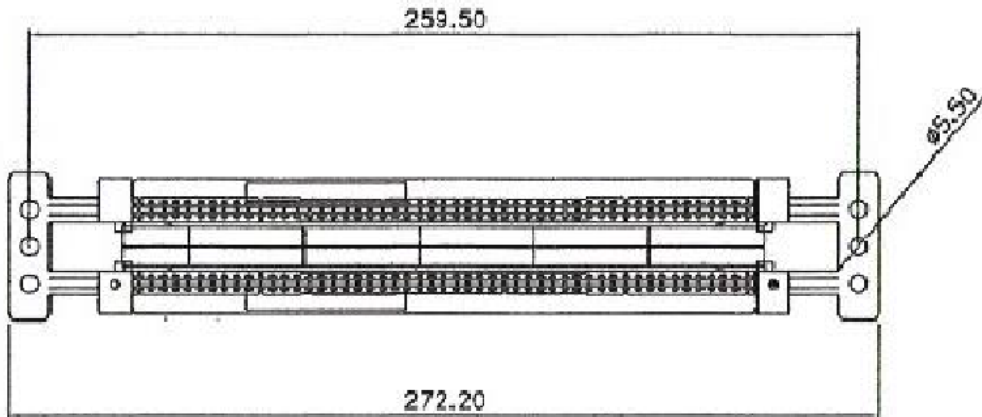


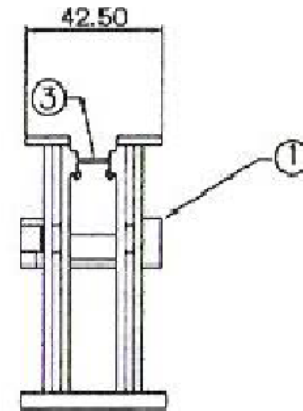
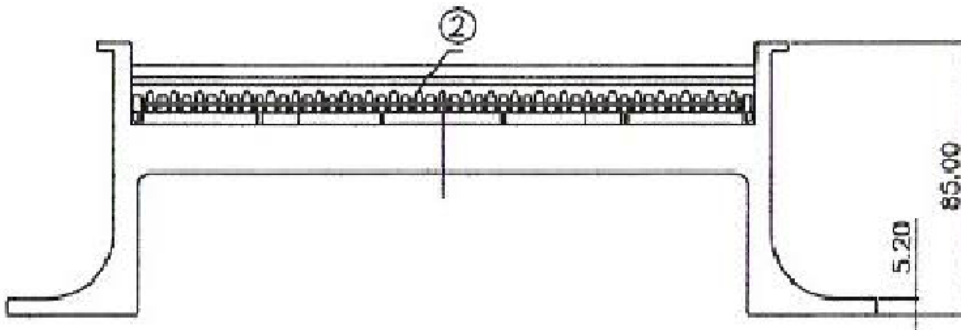
SW2014



Revision level			Revision Record	Changed	Date	Approved	Date
Drawing	State	Part					
.			SEE ECN# 013154	SNH	6/24/2015	KAC	6/24/2015



ITEM	PARTS DESCRIPTION	QTY	P/N
1	50 PR BASE WITH LEG	1	110AWB-50
2	DESI STRIP-WHITE	1	110PS
3	INDEX HOLDER	1	110PH



Material	Units: millimeters
	Dimension without tolerances details to: .XXX = ± 0.13 .XX = ± 0.13 .X = ± 0.3 None = ± 0.8 \angle = $\pm 0.5^\circ$ Dimension Formatted mm/[in]

The copyright of this drawing is reserved by HellermannTyton. It is issued on condition that it is not reproduced, copied, or disclosed to a third party, either wholly or in part, without the consent of HellermannTyton.

Drawn	SNH	6/24/2015
Approved	KAC	6/24/2015
North America Email: corp@htamericas.com Web: www.hellermann.tyton.com		

Article/Type-No	T110WBL50	Scale	1:1
Title	CATEGORY 5e 50 PAIR 110 WIRING BLOCK WITH LEGS	Project Number	PRP 15-0373
Drawing-No	15-0373-001-CSU	Format	AH
		Sheet	1/1