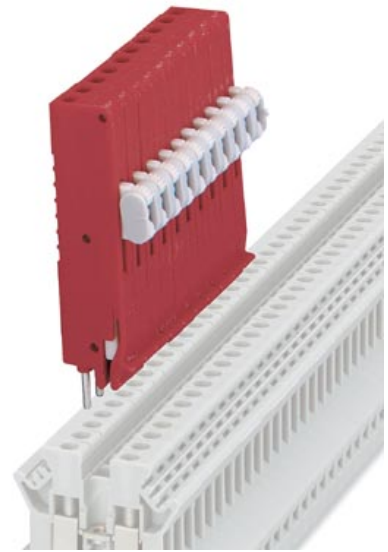


PS-UK 2,5 B/Z-6

Order No.: 3001239



<http://eshop.phoenixcontact.de/phoenix/treeViewClick.do?UID=3001239>

Test plugs, Color: red

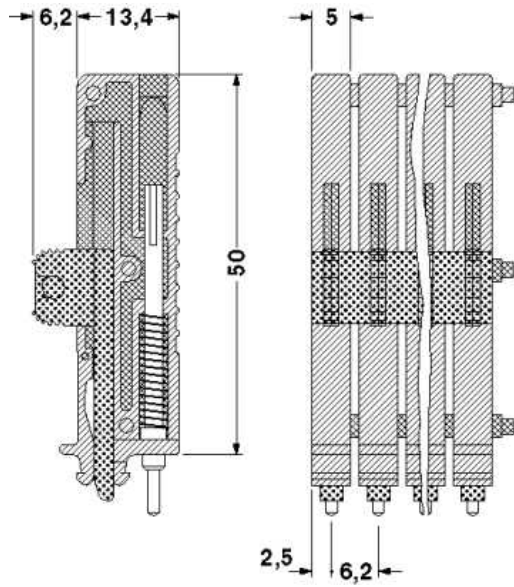
Commercial data	
EAN	4017918089856
Pack	1 pcs.
Customs tariff	85366990
Weight/Piece	0.054 KG
Catalog page information	Page 449 (CL-2009)

Product notesWEEE/RoHS-compliant since:
01/01/2003

<http://www.download.phoenixcontact.com>
Please note that the data given here has been taken from the online catalog. For comprehensive information and data, please refer to the user documentation. The General Terms and Conditions of Use apply to Internet downloads.

Diagrams/Drawings

Dimensioned drawing



Address

PHOENIX CONTACT Deutschland GmbH
Flachmarktstr. 8
32825 Blomberg, Germany
Phone +49 5235 3 12000
Fax +49 5235 3 41200
<http://www.phoenixcontact.de>



© 2010 Phoenix Contact
Technical modifications reserved;