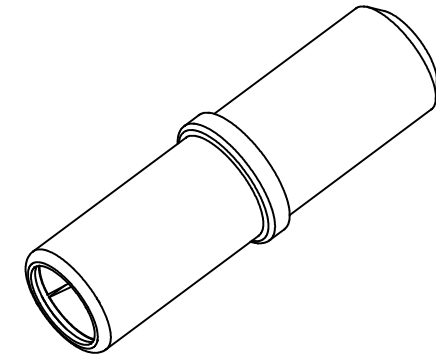
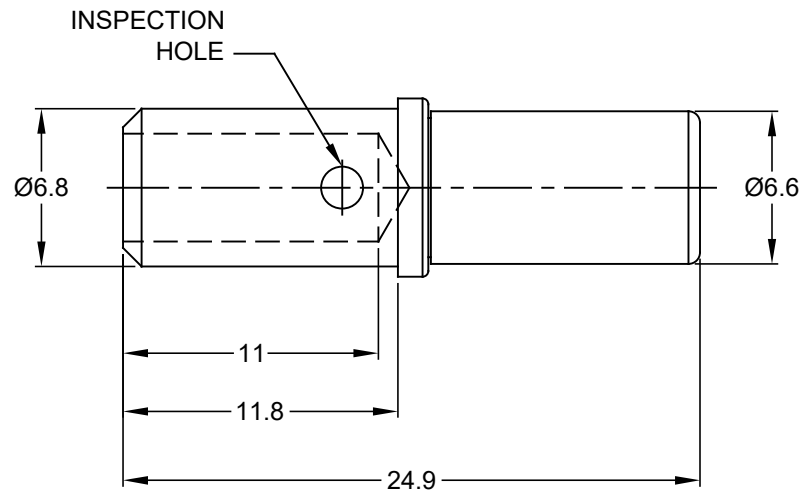
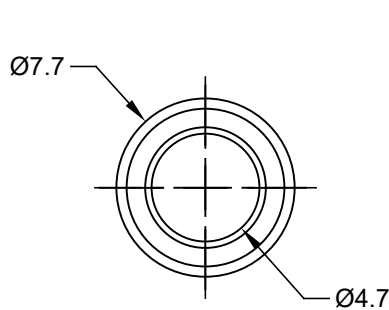


REVISIONS					
REV	ECO	DESCRIPTION	DATE	BY	APPR
A1	-	RELEASE NEW DRAWING	28JUL17	JONY	TOMMY



NOTES: UNLESS OTHERWISE SPECIFIED

1. MATERIAL: COPPER ALLOY,NICKEL PLATED
2. CONTACT SIZE: 8#
3. SPECIFICATIONS:
 - 3.1 CURRENT RATING: 60 AMP
 - 3.2 CONTACT MILLIVOLT DROP: 60 MILLIVOLT DROP @ 60 AMP TEST CURRENT.
 - 3.3 ROHS COMPLIANT
4. RECOMMENDED WIRE RANGE: 8 - 10 AWG
5. ALL DIMENSIONS ARE FOR REFERENCE USE ONLY

TITLE: CONTACT SOCKET, SIZE 8, 8-10 AWG
 DWG NO.: AT62-203-08141
 REV: A1
 SH: 1
 OF: 1

AT62-203-08141		DESCRIPTION		ITEM
PART NUMBER		DESCRIPTION		ITEM
QUANTITY	MATERIALS LIST			
UNLESS OTHERWISE SPECIFIED		SIGNATURES		DATE
1) All dimensions are in metric(mm).		DRAWN: Jony		28JUL17
2) Tolerances are as follows:		CHECKED: Orion		28JUL17
1 PL DEC ±0.30 Fractions ±1/64		ENGINEER:		
2 PL DEC ±0.15 Angles ±1°		APPROVAL: Tommy		28JUL17
3) Note reference =		CUSTOMER:		
MATERIAL SPECIFICATIONS:		THIS DRAWING IS SUPPLIED FOR INFORMATION ONLY. DESIGN FEATURES, SPECIFICATIONS AND PERFORMANCE DATA SHOWN HEREON ARE THE PROPERTY OF THE AMPHENOL CORPORATION. NO RIGHTS OF REPRODUCTION ARE IMPLIED. ALL DIMENSIONS ARE SUBJECT TO NORMAL MANUFACTURING VARIATIONS.		
PROCESS SPECIFICATIONS:		SIZE	TYPE	DWG NO.
NEXT ASSY:		B	C-	AT62-203-08141
		SCALE	NONE	REVISION
				A1
		CONTACT SOCKET, SIZE 8, 8-10 AWG		SHEET 1 OF 1