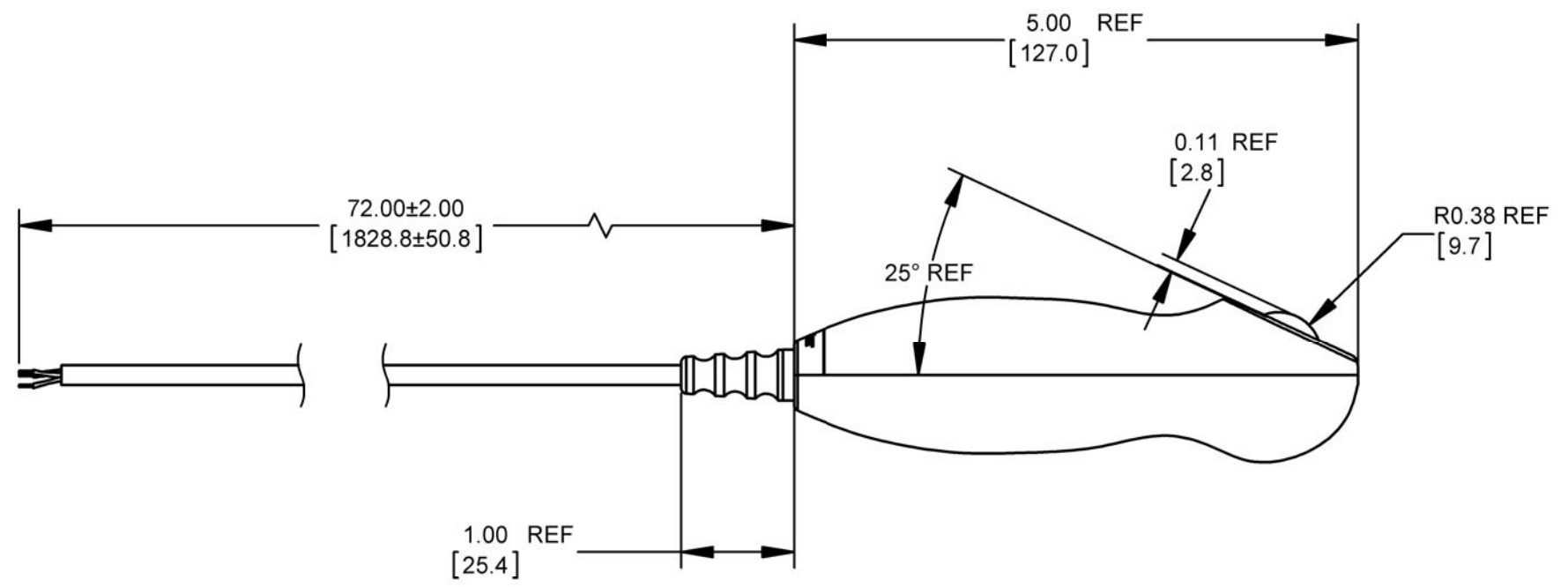
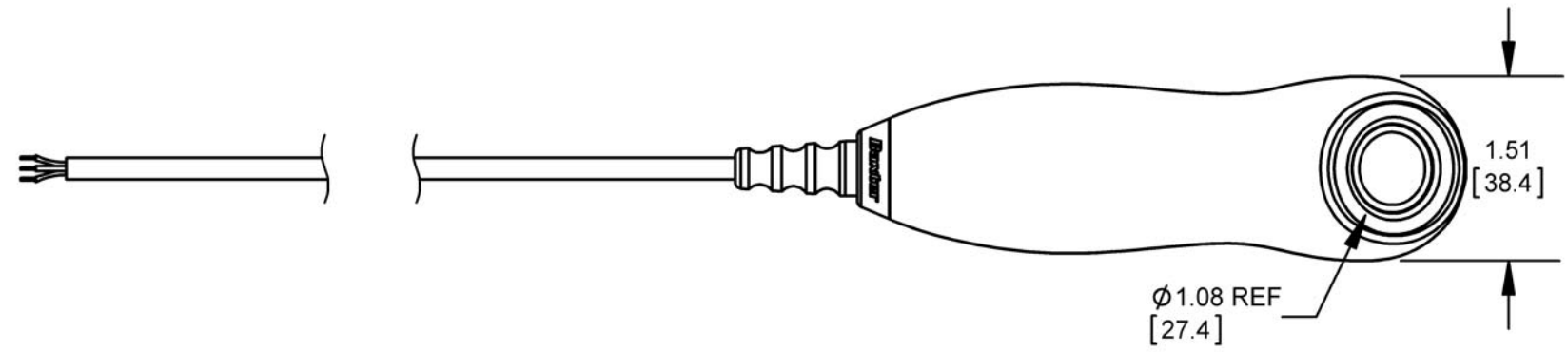
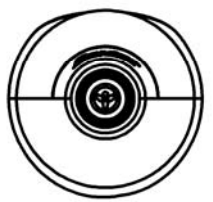


SCHEMATIC CIRCUIT
1A WITH LEDs



NOTES:

- SPECIFICATIONS:**
 ALTERNATE ACTION
 SWITCH: SINGLE POLE N.O. FOR CONTROLLING LOADS
 KEY TRAVEL 0.14 INCHES
 GOLD CONTACT FINISH IN CONTACT AREA
 SWITCHING VOLTAGE OF N.O. CONTACTS: 28VOLTS DC
 MAXIMUM SWITCHING CURRENT 250mA
 LED VOLTAGE 4.75 TO 28 VOLTS DC AT RED WIRE REF TO BLACK WIRE
 OPERATING LIFE 100,000 CYCLES
 OPERATING TEMPERATURE -25 TO +75°C
 ACTUATING FORCE LESS THAN 3 lb
 IP66
- MATERIALS:**
 SWITCH HOUSING: GRAY THERMOPLASTIC
 ACTUATING BUTTON: NATURAL COLORED ELASTOMER
 CONTACTS: COPPER ALLOY WITH GOLD PLATING IN CONTACT AREA
 TERMINALS COPPER ALLOY, PLATED TIN
 STRAIN RELIEF: NATURAL COLORED ELASTOMER
 CABLE: 4 CONDUCTOR, 26 AWG STRANDED, GRAY PVC JACKET

CUSTOMER DRAWING

					THIS DRAWING DESCRIBES A DESIGN CONSIDERED PROPRIETARY IN NATURE, DEVELOPED AND MANUFACTURED BY SWITCHCRAFT INC. AND IS RELEASED ON A CONFIDENTIAL BASIS FOR IDENTIFICATION PURPOSES ONLY.					
					SIZE *	WIDTH *	MULT *	LBS/M *	TEMPER *	
					FINISH *			MATERIAL *		
					SPEC No. *			SPEC No. *		
					FIRST USED ON *		SCALE 1:1			
DATE DRAWN		BY	CHKD		APVD					
1-14-16		SRC	12-5-16		TJK					
			SRC		2-1-17					
					NAME				PART No.	REV
					PENDANT, PL-PR WITH BLUE LED				E921KALN	A
REVISIONS					DO NOT SCALE DRAWING					
A	ECO 27837	2-1-17	SRC	TJK						
REV	ECO NUMBER	DATE	BY	APVD						