

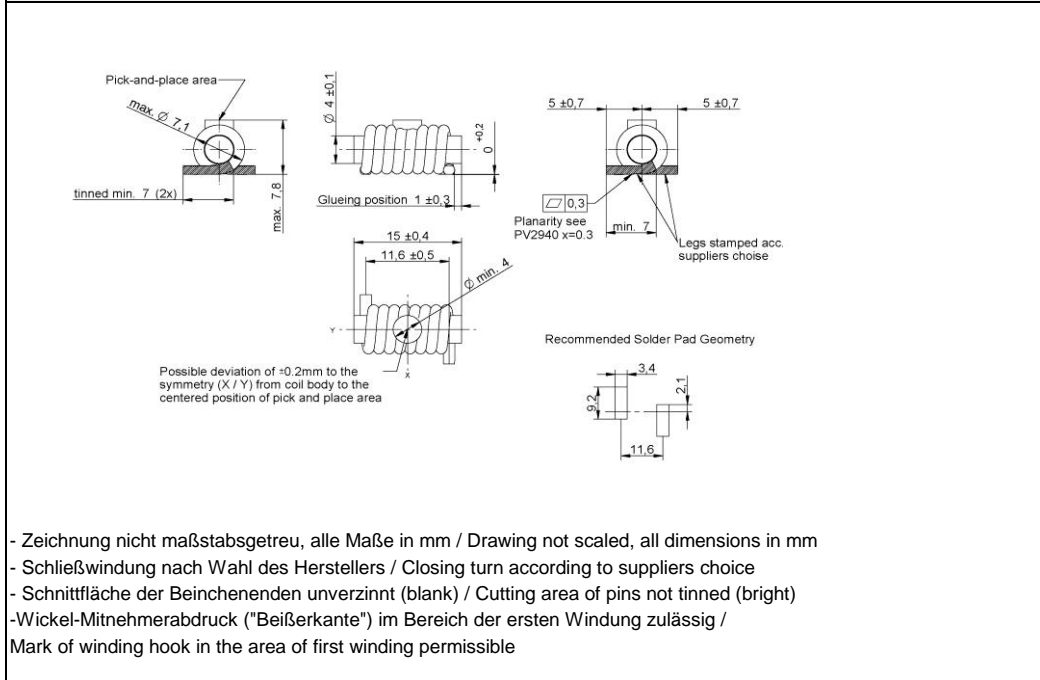
Data Sheet



Description:	Suppression Choke SMD		Page:	1 / 3
Customer drawing no.:	N/A	WE iBE drawing no.:	110001100	
Revision - index:	N/A	Revision - index:	D	
			Date:	07.08.2015

Product values:												

Mechanical Dimensions (in mm):



Drawing not true to scale

Electrical parameter:					
	@	Value	Tolerance	Unit	Test Condition
Inductance L_0 :	+20 °C	1.00	\pm 20 %	μ H	1 kHz / 1V
Resistance R_{DC} :	+20 °C	2.0	max.	m Ω	
Rated current I_{DC} :		22.5*	max.	A	40 K self heating
L drop down 10 % I_{sat} :		29.0	typical	A	$ \Delta L/L < 10$ %
Operating temperature:		-40 - +170		°C	including self heating

* The specified rated current was measured under laboratory conditions, it might deteriorate due to unpredictable thermal influences of surrounding heat sources. A use without a sufficient heat sink may create excessive heat and could decline the insulation resistance. Do not use products without simulating the thermal conditions of the installations circumstances.

General specification:			
	<i>min.</i>	<i>max.</i>	
Storage temperature:	+10 °C	+40 °C	
Moisture sensitivity level (MSL):	1		
Remarks:	- Do not use the product beyond the rated current and rated voltage as this may create excessive heat to prevent smoke and/or burning etc. and deteriorate the insulation resistance.		

Test condition:		
Humidity:	33 %	
Ambient temperature:	+20 °C	
Measurement devices:	L	Agilent E4980A or equivalent
	R_{DC}	Burster 2316 or equivalent

Customer:
General release:

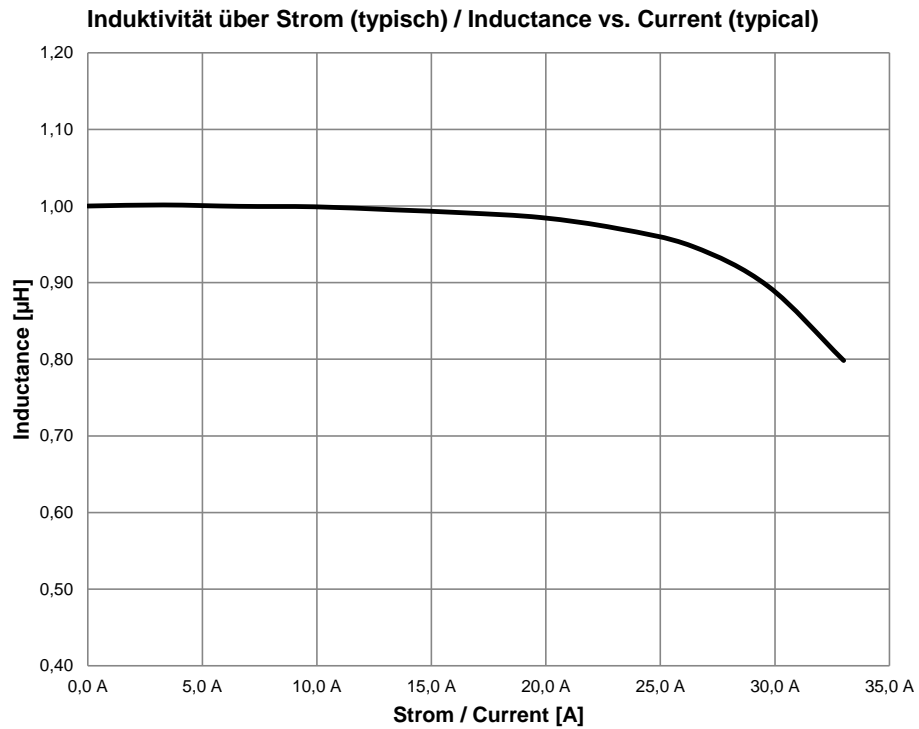
Date

Signature

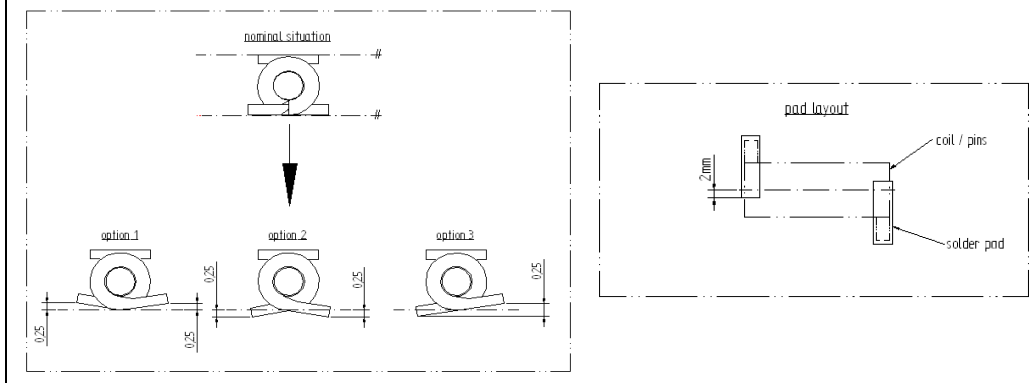
Description:	Suppression Choke SMD	Page:	2 / 3
Customer drawing no.:	N/A	WE iBE drawing no.:	110001100
Revision - index:	N/A	Revision - index:	D

Materials & approvals:	
<i>base material:</i>	NiZn
<i>Finishing terminal:</i>	SN100C
<i>Glueing:</i>	Core securely fixed into coil by adhesive
<i>Wire:</i>	CuL ø 1.4 mm DIN IEC 60317; wire endings stripped and tinned
<i>Applicable documents:</i>	ISM0100011 ISM0100010 IS60100003 IS60100002

Inductance vs. Current (typical):



Pad Layout and Location Tolerance:



Customer:

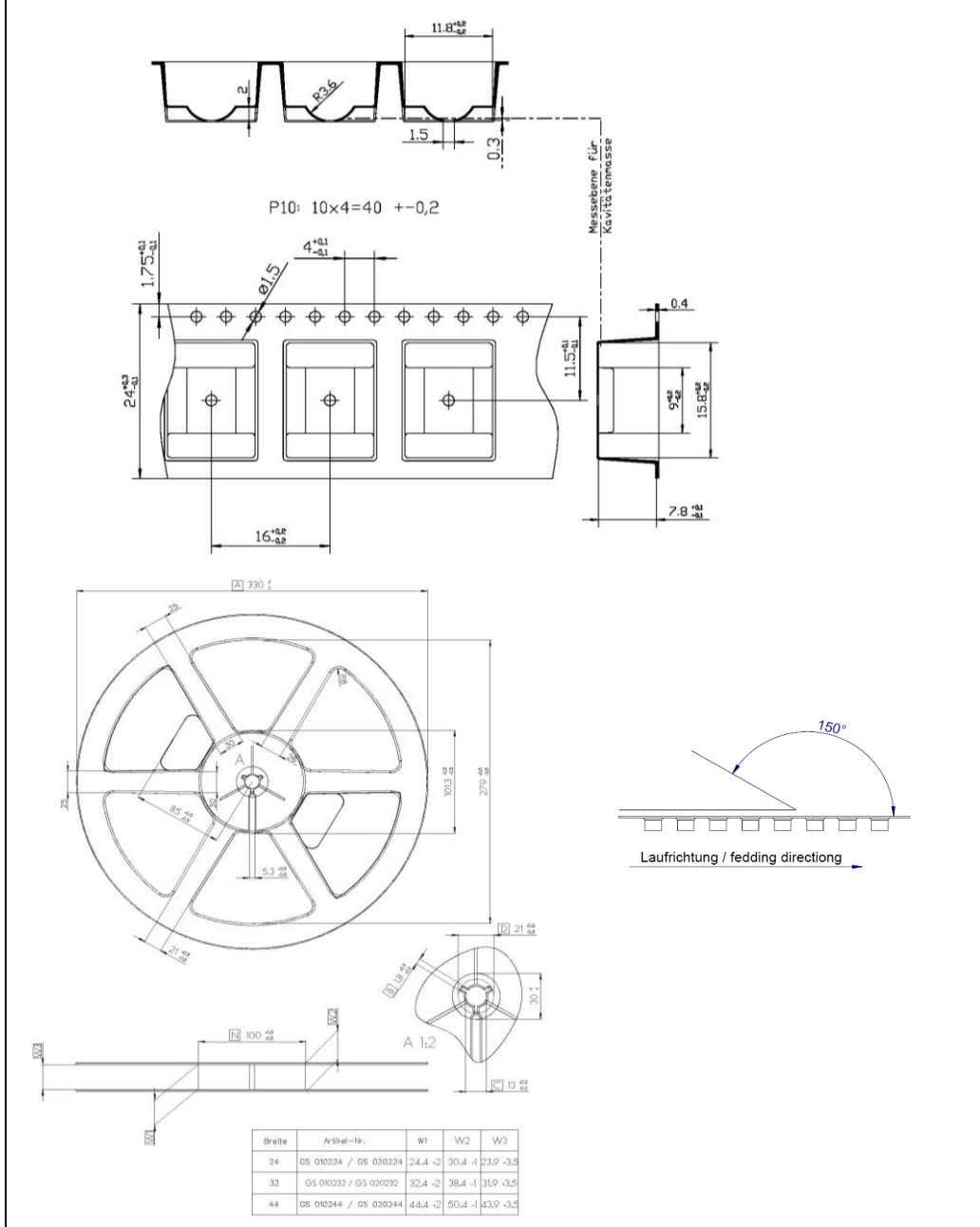
General release:

_____ Date

_____ Signature

Description:	Suppression Choke SMD	Page:	3 / 3
Customer drawing no.:	N/A	WE iBE drawing no.:	110001100
Revision - index:	N/A	Revision - index:	D

Rollenspezifikation/ Packaging specification:	
Packaging:	Tape and reel
Tape Material:	Plastic foil
Quantity:	510 pieces per reel
Reel Size:	330 mm



Precautions:
 Although this product is designed for automotive applications and is qualified according AEC-Q 200 we ask you for submitting your application conditions for approval before ordering the product.

Customer:
 General release:

 Date

 Signature