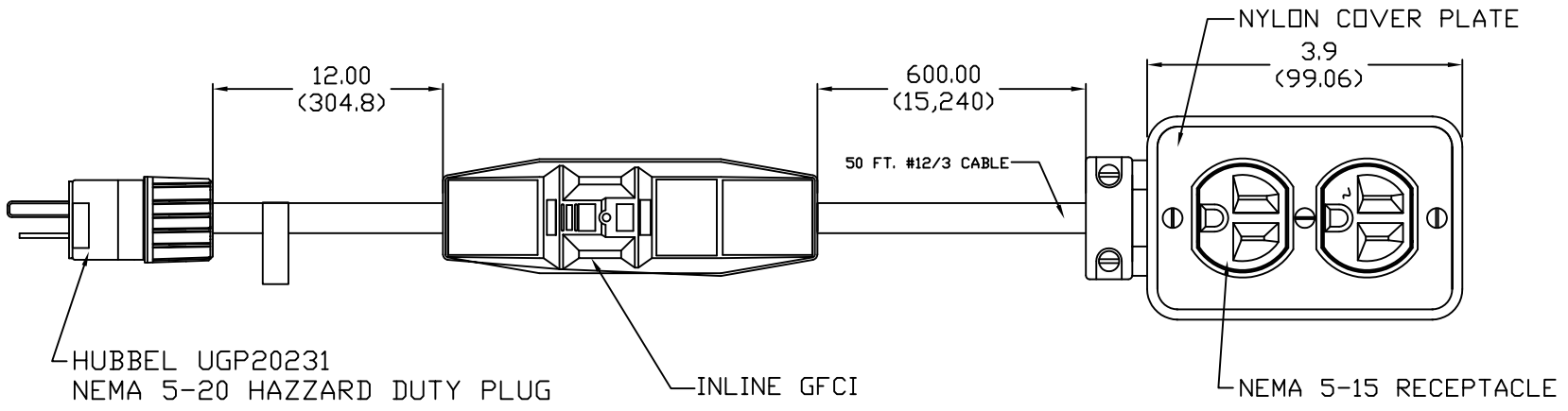


6 5 4 3 2 1

E

E

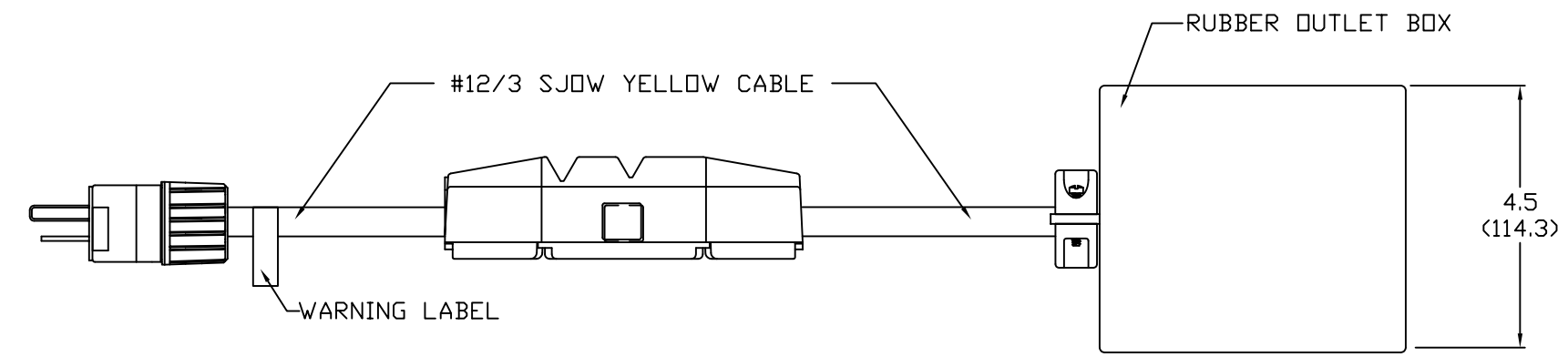


D

D

C

C



B

B

A

A

RELEASE DRAWING EC NO: WNA2010-0298 DRWN: TVICKERS 9/1/09 CHKD: HK 2009/09/01 APPR: DTITUS 2009/12/08	REV A	DESCRIPTION QUALITY SYMBOLS ▽=0 ▽C=0	GENERAL TOLERANCES (UNLESS SPECIFIED)		DIMENSION STYLE IN/MM		SCALE NTS	DESIGN UNITS INCH	THIRD ANGLE PROJECTION		
				mm	INCH	DRAWN BY TV	DATE 2009/09/01	TITLE 20A. IN-LINE GFCI W/HUBBEL PLUG & PORTABLE OUTLET BOX			
			4 PLACES	±----	±----	CHECKED BY HK	DATE 2009/09/01	MOLEX INCORPORATED			
			3 PLACES	±----	±.005	APPROVED BY DTITUS	DATE 2009/12/04	DOCUMENT NO. SD-130135-022			
			2 PLACES	±----	±.020	MATERIAL NO. 1301530221			SHEET NO. 1 OF 1		
ANGULAR ±.5°			DRAFT WHERE APPLICABLE MUST REMAIN WITHIN DIMENSIONS		THIS DRAWING CONTAINS INFORMATION THAT IS PROPRIETARY TO MOLEX INCORPORATED AND SHOULD NOT BE USED WITHOUT WRITTEN PERMISSION						

6 5 4 3 2 1