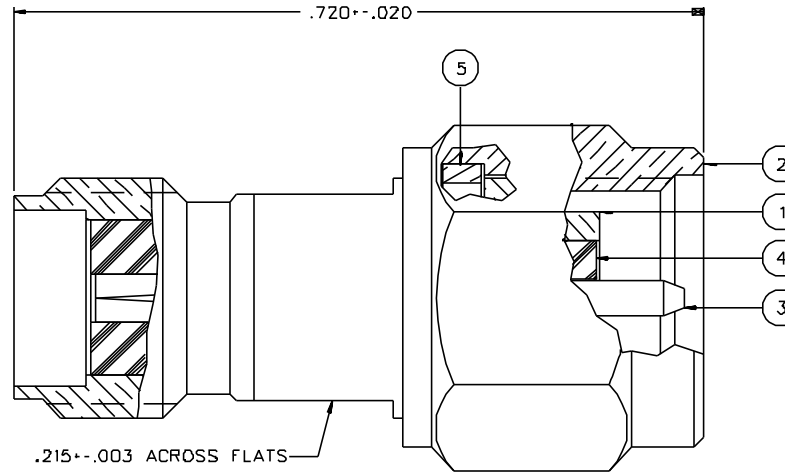


PART NUMBER	ITEM ① BODY	ITEM ② NUT	ITEM ③ CONTACT	ITEM ④ INSULATOR	ITEM ⑤ RETENTION SPRING
14-2-0901-821	BRASS GOLD PL .00001 MIN OVER NICKEL PL .00005 MIN OVER COPPER PL .00005 MIN	BRASS GOLD PL .00001 MIN OVER NICKEL PL .00005 MIN OVER COPPER PL .00005 MIN	BERYLLIUM COPPER GOLD PL .00003 MIN OVER NICKEL PL .00005 MIN OVER COPPER PL .00005 MIN	TEFLON	BERYLLIUM COPPER UNPLATED
14-2-0901-826	BRASS NICKEL PL .0001 MIN OVER COPPER PL .00005 MIN	BRASS NICKEL PL .0001 MIN OVER COPPER PL .00005 MIN	BERYLLIUM COPPER GOLD PL .00003 MIN OVER NICKEL PL .00005 MIN OVER COPPER PL .00005 MIN	TEFLON	BERYLLIUM COPPER UNPLATED

DRAWING NO. C - 14-2-0901-821/830			
0 REVISIONS			
ENGINEERING RELEASE			
01	08-29-89	EJ	8-31-90 ECO 24066
CHANGED: VSWR WAS 1.05+.01F, 500 VRMS WAS 335 AND 1500 WAS 1000 .215-.003 WAS .215-.005			
2	2-21-91	RJB	3-4-91 ECO 24690
CHANGED: -90 WAS -60 RF LEAK 2.5 GHz WAS 2 TO 3 GHz RF HIGH POT 4 AND 7 MHz WAS 9 TO 7.5, ML-A-55339 WAS MIL-C-39012, THERMAL SHOCK CONDITION B WAS C			
3	1-10-92	RJB	ECO 40761



NOTES:

1. SPECIFICATIONS:

IMPEDANCE: 50 OHMS
 FREQUENCY RANGE: 0-18 GHz
 VSWR: 1.05+.005 F MAX (F IN GHz)
 WORKING VOLTAGE: 500 VRMS MAX AT SEA LEVEL
 DIELECTRIC WITHSTANDING VOLTAGE: 1500 VRMS MIN AT SEA LEVEL
 INSULATION RESISTANCE: 5000 MEGOHM MIN
 CONTACT RESISTANCE:
 CENTER CONTACT - INITIAL 4.0 MILLIOHM MAX, AFTER ENVIRONMENTAL 6.0 MILLIOHM MAX
 OUTER CONDUCTOR - INITIAL 2.0 MILLIOHM MAX, AFTER ENVIRONMENTAL NOT APPLICABLE
 BRAID TO BODY - NOT APPLICABLE
 CORONA LEVEL: 375 VOLTS MIN AT 7D,DDO FEET
 INSERTION LOSS: .06√F MAX (F IN GHz) AT 6 GHz
 RF LEAKAGE: -90 DB MIN AT 2.5 GHz
 RF HIGH POTENTIAL WITHSTANDING VOLTAGE: 1000 VRMS MIN AT 4 AND 7 MHz

MECHANICAL:

ENGAGE/DISENGAGE TORQUE: 2 INCH-POUNDS MAX
 MATING TORQUE: 7-10 INCH POUNDS
 COUPLING PROOF TORQUE: 15 INCH-POUNDS MIN
 COUPLING NUT RETENTION: 6D LBS MIN
 CONTACT RETENTION: 4 LBS MIN AXIAL FORCE
 CABLE ACCEPTABILITY: NOT APPLICABLE
 CABLE HEX CRIMP SIZE: NOT APPLICABLE
 CABLE RETENTION: NOT APPLICABLE
 DURABILITY: 500 CYCLES MIN

ENVIRONMENTAL:

(MEETS OR EXCEEDS THE APPLICABLE PARAGRAPH OF MIL-A-55339)
 THERMAL SHOCK: MIL-STD-202, METHOD 107, CONDITION B
 OPERATING TEMPERATURE: -65 DEG C TO 165 DEG C
 CORROSION: MIL-STD-202, METHOD 101, CONDITION B
 SHOCK: MIL-STD-202, METHOD 213, CONDITION I
 VIBRATION: MIL-STD-202, METHOD 204, CONDITION D
 MOISTURE RESISTANCE: MIL-STD-202, METHOD 106

CUSTOMER DRAWING

THIS DRAWING TO BE INTERPRETED
PER ANSI Y 14.5M - 1982

"μSTATION"

COMPANY CONFIDENTIAL

TOLERANCE UNLESS OTHERWISE SPECIFIED	DRAWN BY EJ	DATE 7-11-89	 <small>Clinch Connectivity Solutions 299 Johnson Ave. Ste. 100 Worces, MN 56093 1-800-247-8256</small>	
DECIMALS .XX	CHECKED BY	DATE	TITLE ADAPTER ASSEMBLY, JACK - PLUG SMA	
.XXX	APPROVED BY	DATE	CODE NO.	DRAWING NO. C - 14-2-0901-821/830
NATL	APPROVED BY RJB	DATE 8-29-89	SCALE 10:1	U/W INCH SHEET 2 OF 2
FINISH	RELEASE DATE	8-31-89		