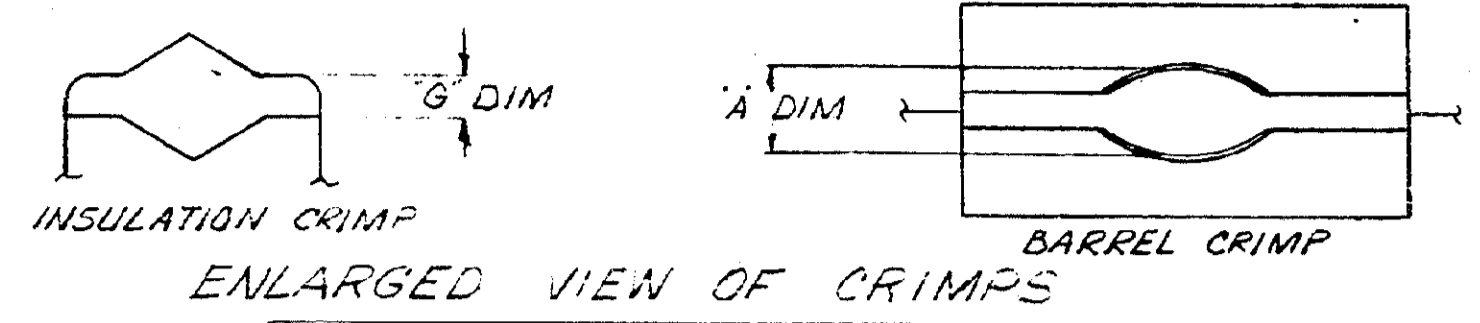
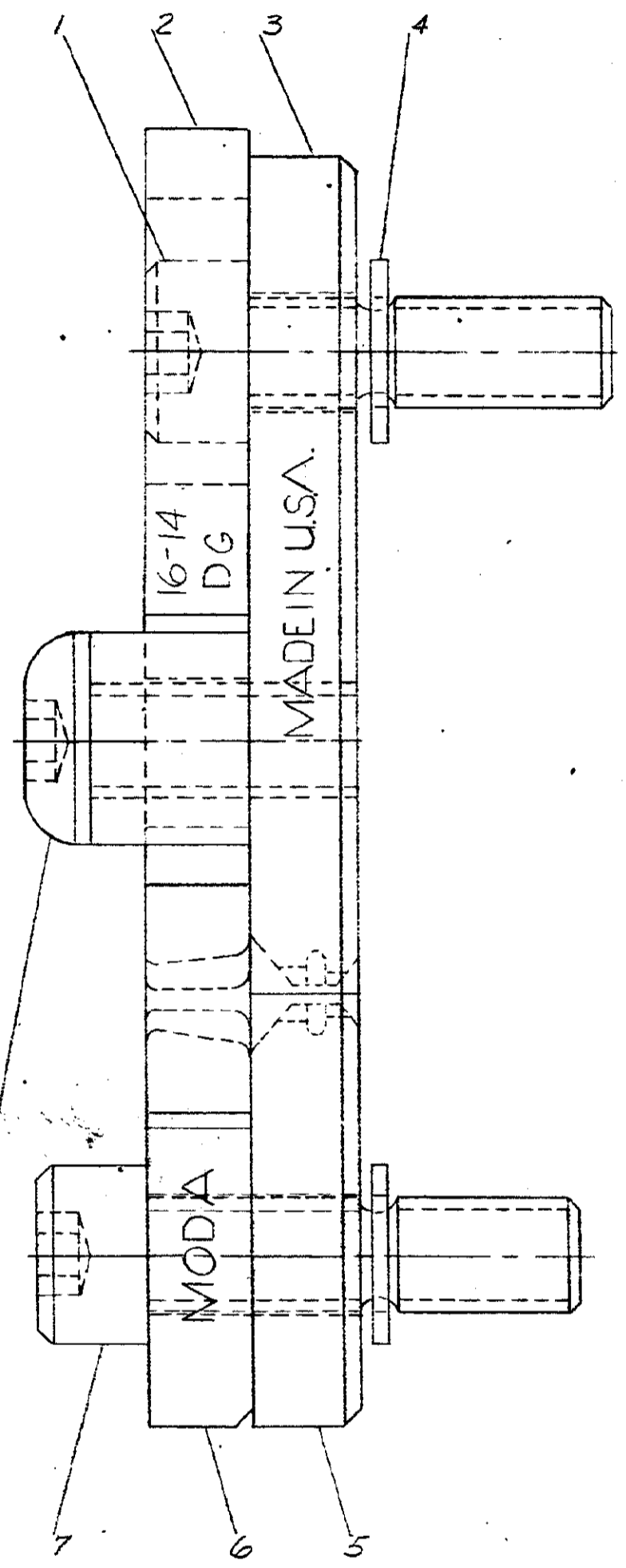
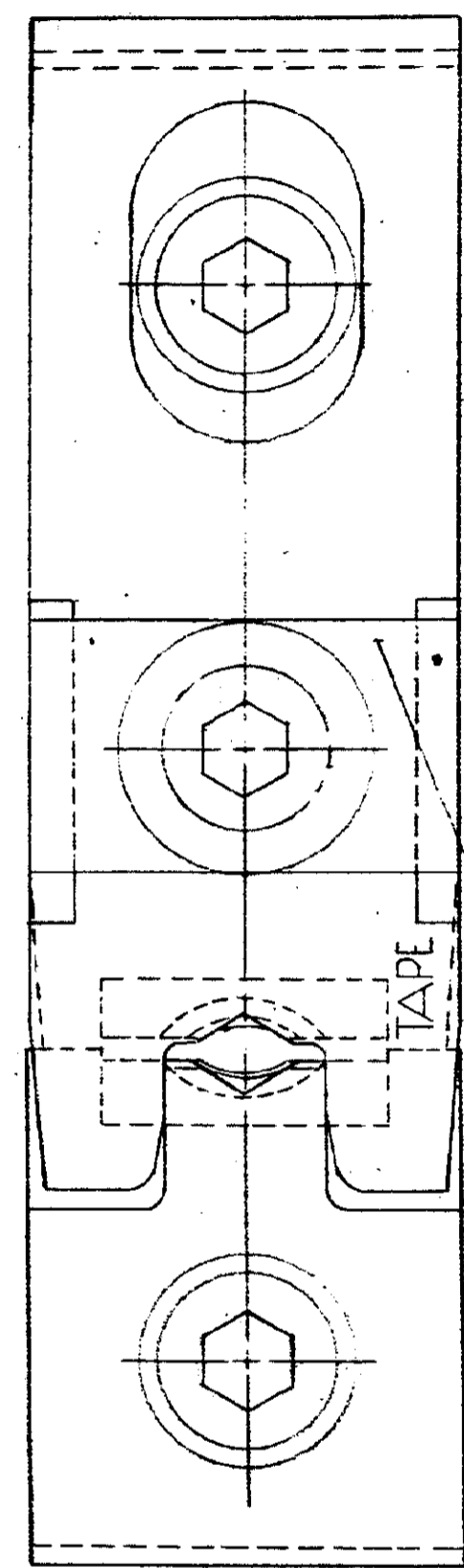


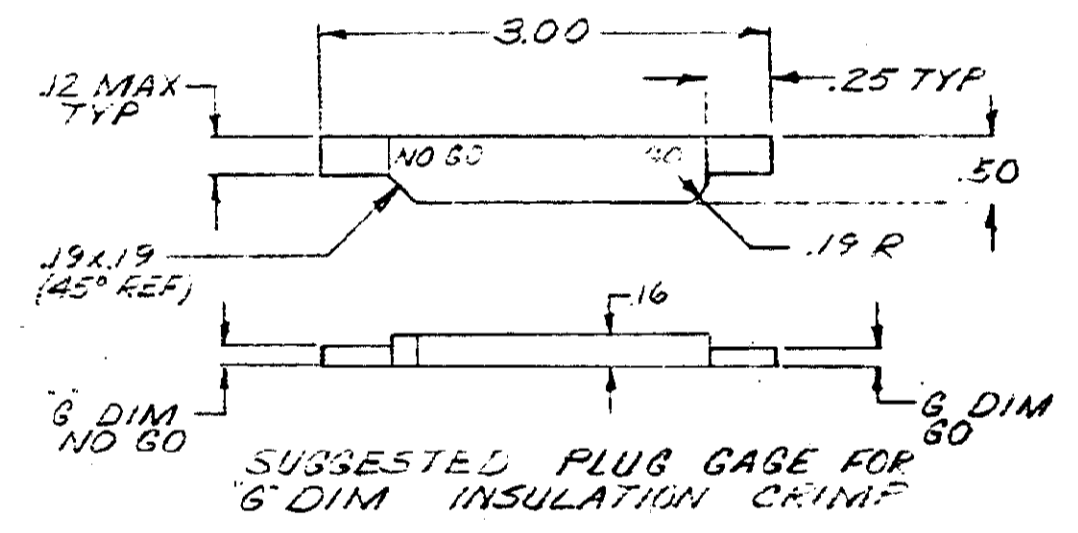
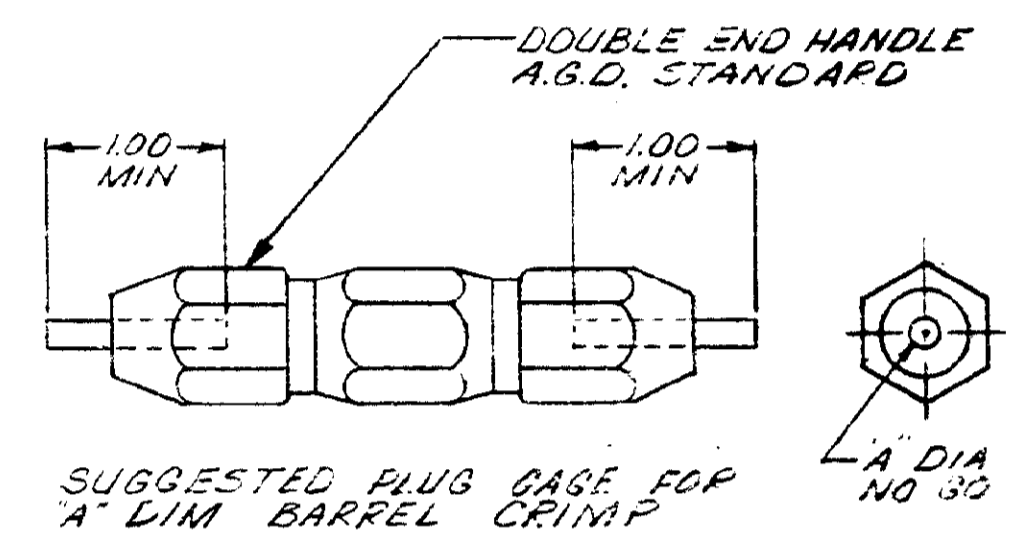
NUMBER 69904

PLUG GAGE DIMENSIONS APPLY WHEN TOOL IS BOTTOMED BUT NOT UNDER PRESSURE.



ENLARGED VIEW OF CRIMPS

G DIM AT POS #1		A DIM	
GO	NO GO	GO	NO GO
.030	.050	.080	.086



SUPERSEDED BY 15-2423

QTY	NUMBER	NAME	REMARKS	ITEM NO.
1	307275-1	SADDLE		9
1	59577-9	SCREW (10-32 UNF-3A x .470 LONG)		5
1	59781-6	SCREW-SPECIAL		7
1	3-59619-2	ANVIL-INSULATION		6
1	307213-2	INSERT-BARREL-LOWER		5
2	1-21046-3	RING-RETAINING		4
1	307212-2	INSERT-BARREL-UPPER		3
1	1-307285-2	INDENTER-INSULATION		2
1	59781-2	SCREW		1

DIMENSIONS IN INCHES. DO NOT SCALE PRINT.

REV	DATE	BY	CHKD	DESCRIPTION

REVISION RECORD  
 SUP'D BY 15-2423  
 REVISED  
 DATE

REQUIRED PER ASSEMBLY	©1969 BY AMP INCORPORATED. ALL RIGHTS RESERVED. AMP PRODUCTS COVERED BY PATENTS AND/OR PATENTS PENDING.	CUSTOMER COPY REFERENCE ONLY
DR B. Shonfeld 12-12-69	MATERIAL AND FINISH	AMP INCORPORATED HARRISBURG, PENNA.
CHKD R. J. Jurgens 12-17-69	WIRE - RANGE - INSULATION	USED ON 69875
DE R. J. Jurgens 12-17-69	16-14	CROSS CRIMP DG
	TOLERANCE EXCEPT AS NOTED ± .015	SCALE 4-1 M C 69904
	NAME R. J. Jurgens	DIE ASSEMBLY MOD A