

IEC Appliance Inlet C14 with Fuseholder 1- or 2-pole, Line Switch 2-pole and Voltage Selector

Standard or Medical Fuse drawer



Order required accessories separately



**Description**

- Panel Mount :  
Screw-on version from front or rear side, snap-in version from front side
- 4 Functions :  
Appliance Inlet Protection class I , Line Switch 2-pole , Fuseholder with interchangeable fuse drawer for Fuse-links 5x20 mm or 6.3x32 mm , with or without voltage selector (step)
- Quick connect terminals 4.8 x 0.8 mm

**Approvals**

- VDE Certificate Number: 40029908
- UL File Number: E93617
- CSA File Number: 38456
- CCC File Number: 2010010204409773

**Characteristics**

- All single elements are already wired
- The fuse drawer "Fingergrip" can be removed by hand
- Suitable for use in equipment according to IEC/UL 60950

**Other versions on request**

- Line switch, illuminated
- Line switch with other rocker marking
- Line switch 1-pole
- For protection class II

**References**

Alternative: version with line filter [CD](#)

**Weblinks**

[pdf datasheet](#), [html-datasheet](#), [General Product Information](#), [RoHS](#), [CHINA-RoHS](#), [REACH](#), [Distributor-Stock-Check](#), [Accessories](#), [Detailed request for product](#)

Newly available variants corresponding to V-Lock mating cordset. The connector is equipped with a notch intended for use with the latching cordset. The cord latching system prevents against accidental removal of the cordset.

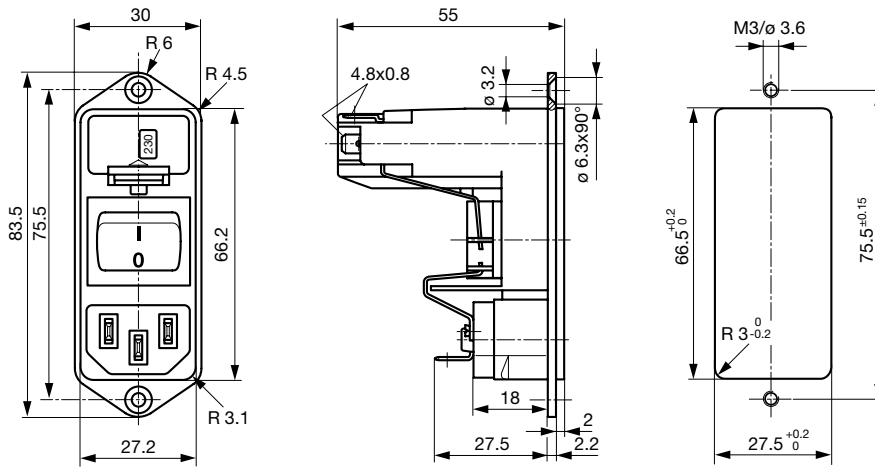
**Technical Data**

Ratings IEC	10A / 250VAC; 50Hz	appliance inlet/-outlet	C14 acc. to IEC 60320-1, UL 498, CSA C22.2 no. 42 (for cold conditions) pin-temperature 70 °C, 10A, Protection Class I
Ratings UL/CSA	10A / 125VAC; 60Hz	Fuseholder	1 or 2 pole, Shocksafe category PC2 acc. to IEC 60127-6, for fuse-links 5 x 20 or 6.3 x 32mm
Dielectric Strength	> 3 kVAC between L-N > 4 kVAC between L/N-PE (1 min/50Hz)	Rated Power Acceptance @ Ta 23 °C	5 x 20: 2.5W (1 pole)/ 2W (2-pole) per pole 6.3 x 32: 3.15W (1 pole)/ 2.5W (2-pole) per pole
Allowable Operation Temperature	-25 °C to 70 °C	Power Acceptance @ Ta > 23 °C	Admissible power acceptance at higher ambient temperature see derating curves
IP-Protection	from front side IP 40 acc. to IEC 60529	Line Switch	Rocker switch 2-pole, non-illuminated, acc. to IEC 61058-1 <a href="#">Technical Details</a>
Insulation cover	Suitable for appliances with protection class I acc. to IEC 61140	Voltage Selector	optional, step, 2-4 digits
Terminal	Quick connect terminals 4.8 x 0.8 mm , tin-plated		
Panel Thickness s	Screw: max 8 mm Mounting screw torque max 0.5 Nm Snap-in: 1.5/2/2.5 mm		
Material: Housing	Thermoplastic, black, UL 94V-0		

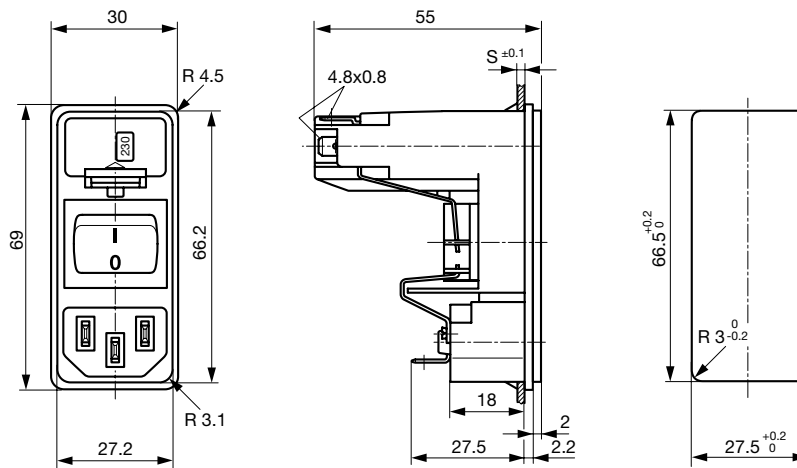
Detailed information on product approvals, code requirements, usage instructions and detailed test conditions can be looked up in [General Product Information](#)

**Dimensions**

Screw-on mounting



Snap-in mounting



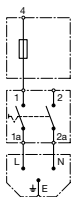
**Diagrams**

without voltage selector

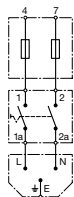
without voltage selector

with voltage selector

with voltage selector



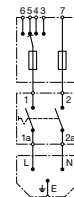
1-pole



2-pole



1-pole

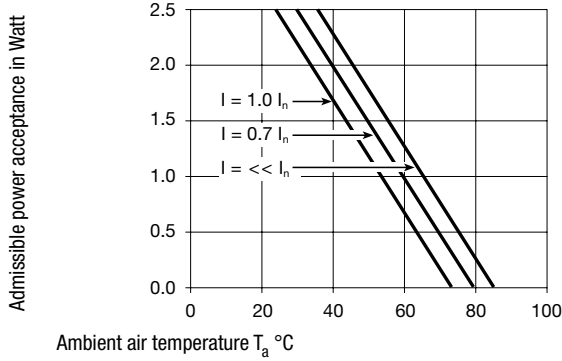


2-pole

Derating Curves

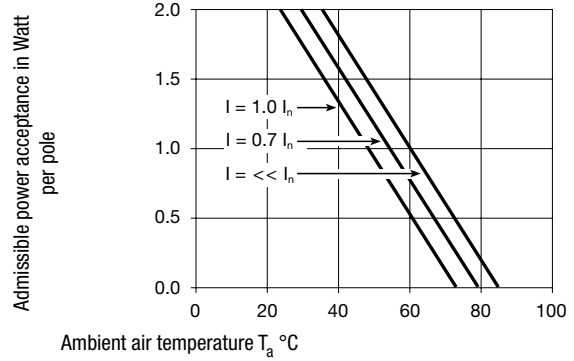
Fuses

5 x 20 mm (1-pole)



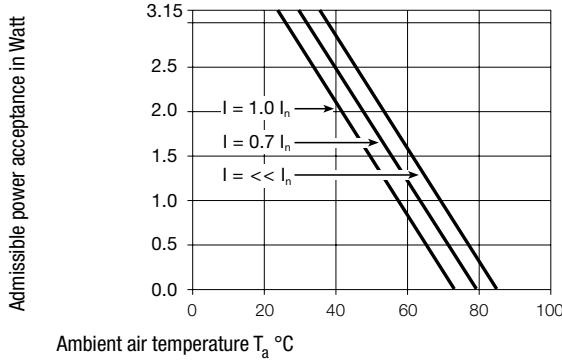
Fuses

5 x 20 mm (2-pole, per pole)



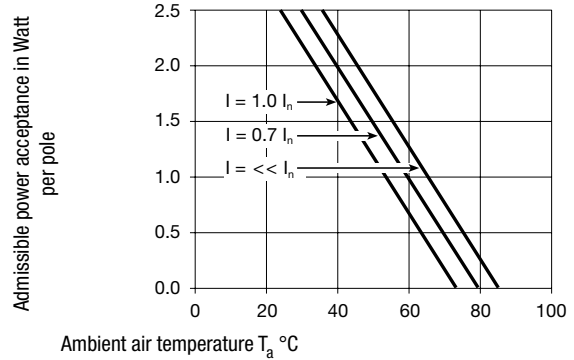
Fuses

6.3 x 32 mm (1-pole)



Fuses

6.3 x 32 mm (2-pole, per pole)



All Variants

Type	Panel mounting	Panel Thickness s [mm]	Fuseholder	Line Switch	Voltage selector max. 4 pos*	V-Lock	Order Number
KD	Snap-in	1.5	1-pole	Rocker switch	-		KD13.1101.105
KD	Snap-in	2	1-pole	Rocker switch	-		KD13.1101.107
KD	Snap-in	2.5	1-pole	Rocker switch	-		KD13.1101.109
KD	Snap-in	1.5	1-pole	Rocker switch	2-4 digits		KD13.4101.105
KD	Snap-in	2	1-pole	Rocker switch	2-4 digits		KD13.4101.107
KD	Snap-in	2.5	1-pole	Rocker switch	2-4 digits		KD13.4101.109
KD	Snap-in	1.5	2-pole	Rocker switch	-		KD14.1101.105
KD	Snap-in	2	2-pole	Rocker switch	-		KD14.1101.107
KD	Snap-in	2.5	2-pole	Rocker switch	-		KD14.1101.109
KD	Snap-in	1.5	2-pole	Rocker switch	2-4 digits		KD14.4101.105
KD	Snap-in	2	2-pole	Rocker switch	2-4 digits		KD14.4101.107
KD	Snap-in	2.5	2-pole	Rocker switch	2-4 digits		KD14.4101.109
KD	Screw	-	1-pole	Rocker switch	-		KD13.1101.151
KD	Screw	-	1-pole	Rocker switch	2-4 digits		KD13.4101.151
KD	Screw	-	2-pole	Rocker switch	-		KD14.1101.151
KD	Screw	-	2-pole	Rocker switch	-	●	KD14.1101.151.21
KD	Screw	-	2-pole	Rocker switch	2-4 digits		KD14.4101.151

Most Popular.

Availability for all products can be searched real-time: <http://www.schurter.com/en/Stock-Check/Stock-Check-SCHURTER>

Can be used as 2-/3-position voltage selector - take only corresponding terminals

Packaging unit 20 Pcs

Required Accessory



Description

[Fusedrawer 3](#)  
Fusedrawer for Fuse Links 5x20 mm resp. 6.3x32 mm

Fingergrip, 5 x 20, 2-pole, Voltage Selector	4303.2014.00
Fingergrip, 5 x 20, 2-pole, Voltage Selector, 100, 120, 220, 240	4303.2014.01
Fingergrip, 5 x 20, 2-pole, Voltage Selector, 110, 150, 220	4303.2014.02
Fingergrip, 5 x 20, 2-pole, Voltage Selector, 110, 220	4303.2014.03

...

Accessories



[Wire Harness](#)  
Wire harness for SCHURTER products



[Assorted Covers](#)  
Rear Cover

0859.0074



[Cord retaining kits](#)  
Cord retaining strain relief

Flat head, A

4700.0001

Mating Outlets/Connectors

Category / Description



[Appliance Outlet Overview complete](#)

IEC Appliance Outlet F, Screw-on Mounting, Front Side, Solder Terminal	4787
IEC Appliance Outlet F, Snap-in Mounting, Front Side, Solder or Quick-connect Terminal	4788
IEC Appliance Outlet F or H, Screw-on Mounting, Front Side, Solder, PCB or Quick-connect Terminal	5091

[Appliance Outlet further types to KD](#)



[Connector Overview complete](#)

4782 Mounting: Power Cord, 3 x 1 mm <sup>2</sup> / 3 x 18 AWG, Cable, Connector: IEC C13	<a href="#">4782</a>
4022 Mounting: Power Supply Cord, 3 x 1.5 mm <sup>2</sup> , Screw clamps, Connector: IEC C13	<a href="#">4022</a>
4785 Mounting: Power Cord, 3 x 1 mm <sup>2</sup> / 3 x 18 AWG, Cable, Connector: IEC C13	<a href="#">4785</a>
4300-06 Mounting: Power Cord, 3 x 1 mm <sup>2</sup> / 3 x 18 AWG, Cable, Connector: IEC C13	<a href="#">4300-06</a>
4012 Mounting: Power Supply Cord, 3 x 1.5 mm <sup>2</sup> , Screw clamps, Connector: IEC C13	<a href="#">4012</a>
<a href="#">Connector further types to KD</a>	...

**Mating Outlets/Connectors shuttered**



[Power Cord Overview complete](#)

VAC13KS, Overview, diverse Connector IEC C13, cord end:	<a href="#">VAC13KS</a>
<a href="#">Power Cord further types to KD</a>	