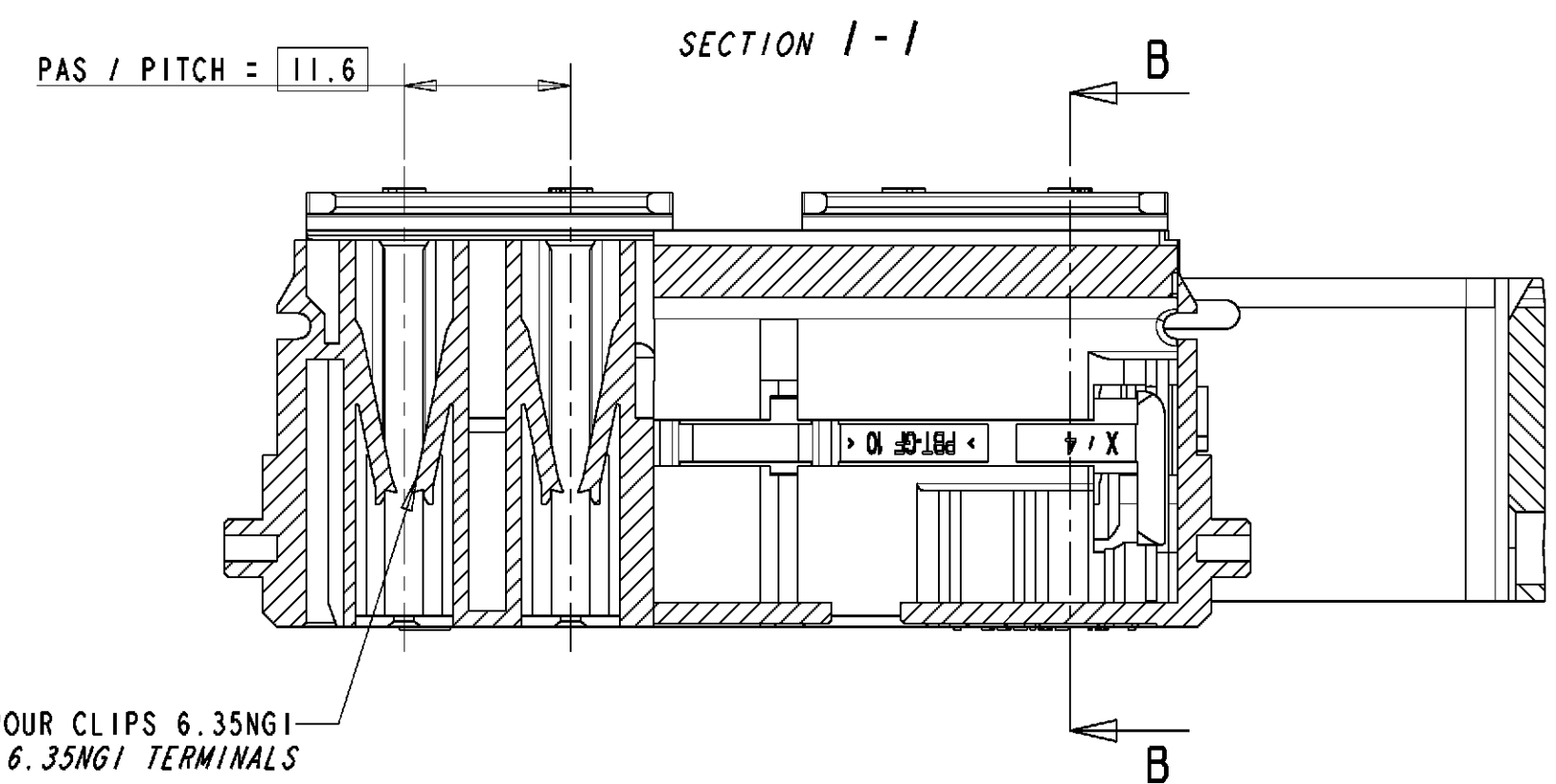
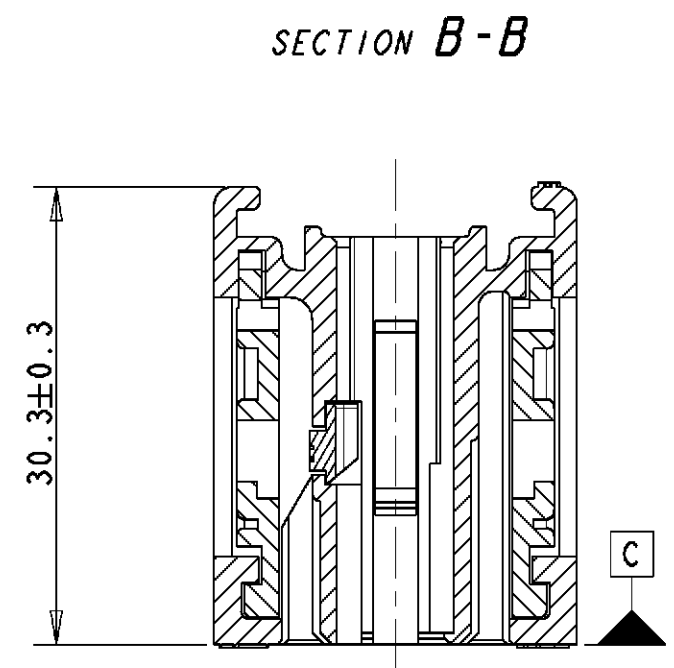
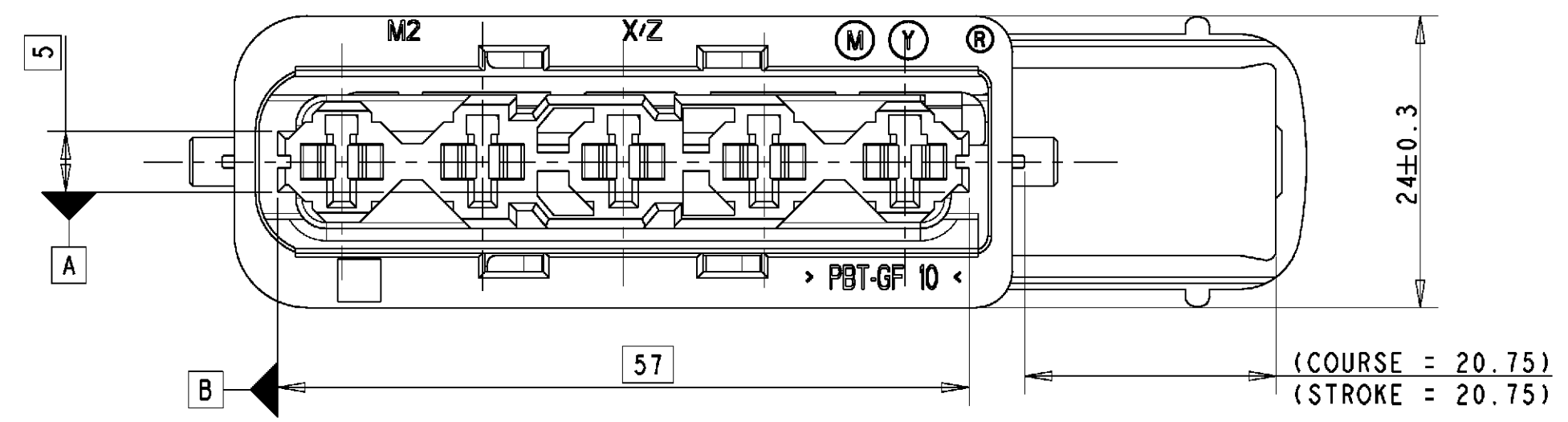


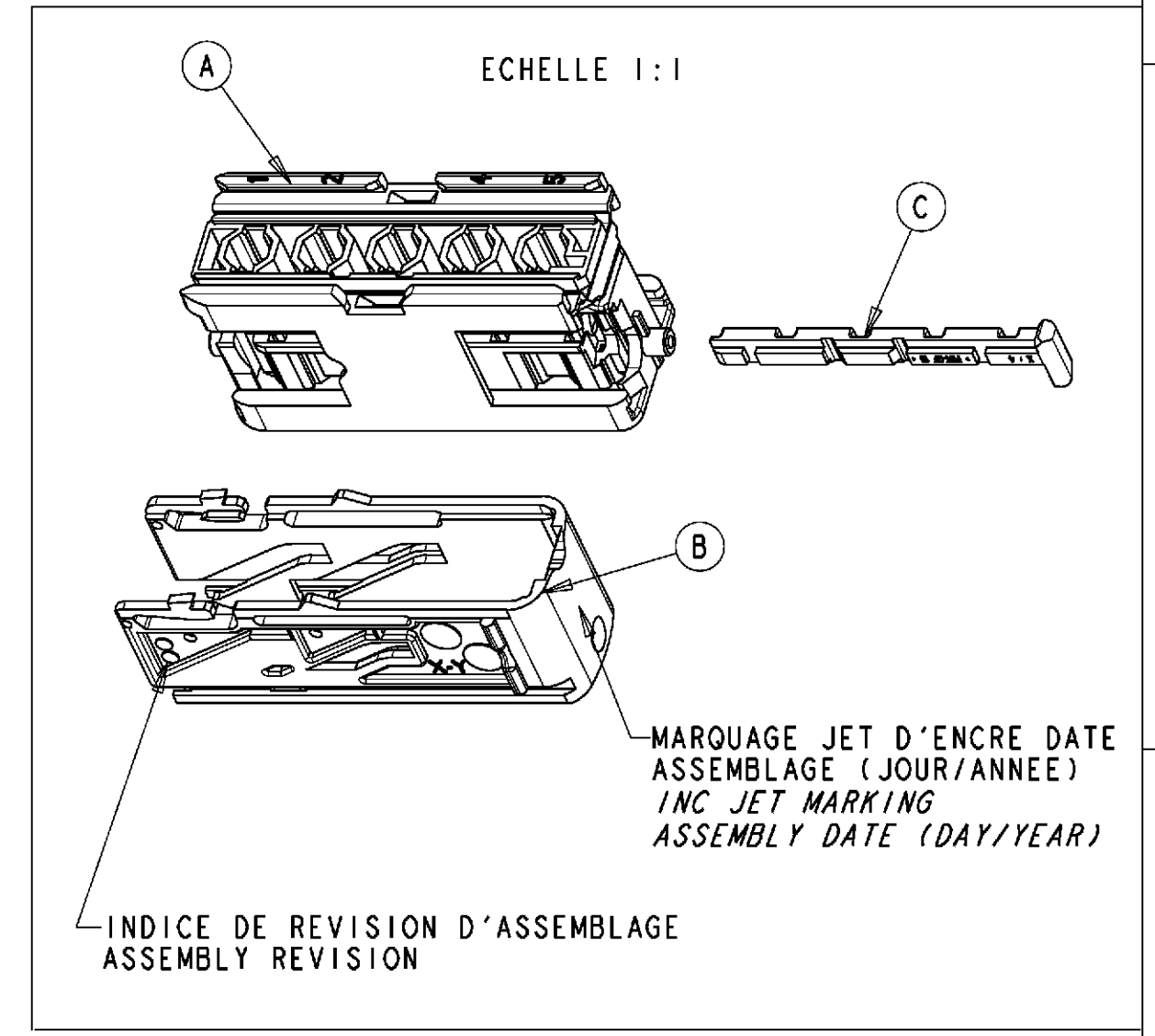
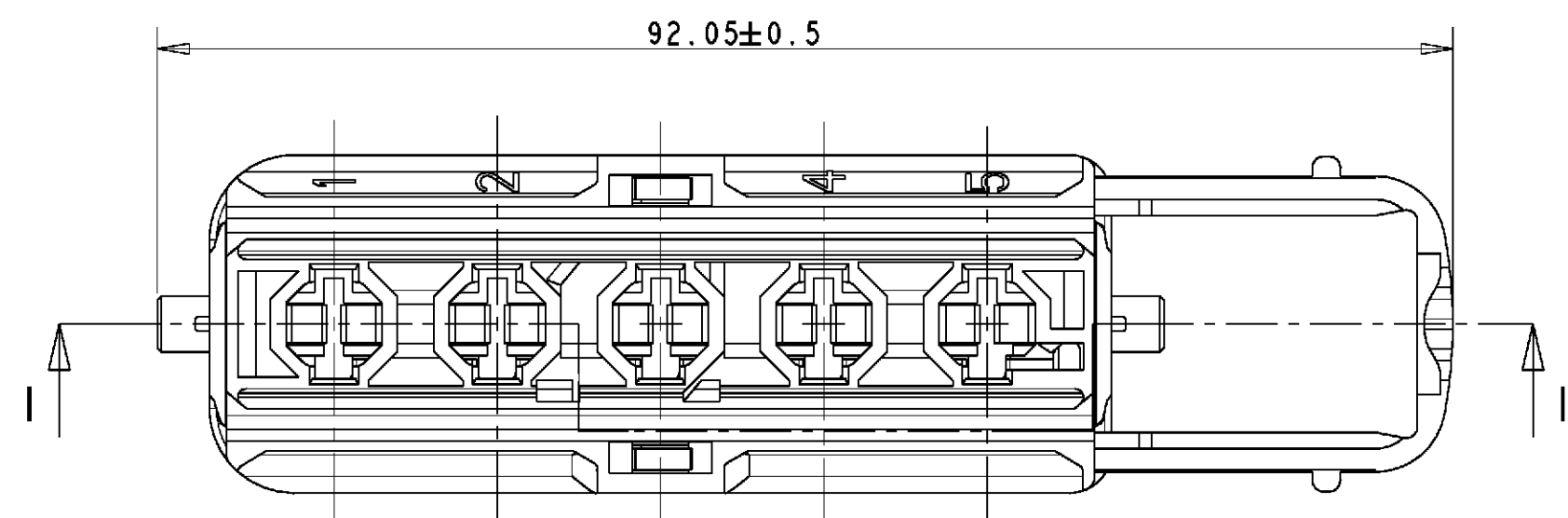
THIS DRAWING IS UNPUBLISHED.
 DIFFUSION RESTREINTE
 © COPYRIGHT 2011

RELEASED FOR PUBLICATION
 LIBRE A LA DIFFUSION
 ALL RIGHTS RESERVED.
 TOUS DROITS RESERVES.

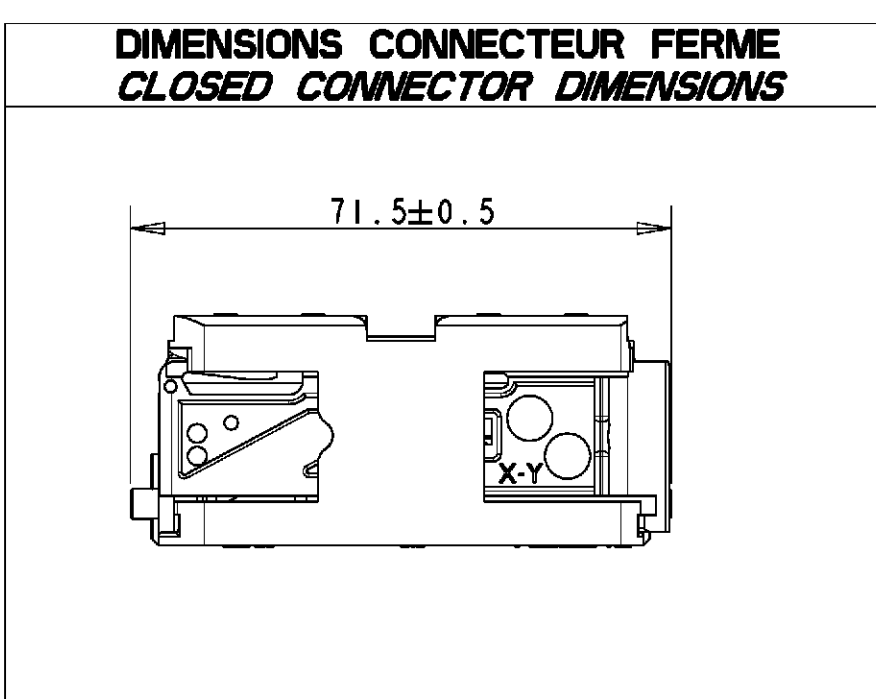
LOC		DIST		REVISIONS				
P	LTR	DESCRIPTION MODIFICATIONS		DATE	DWN DESS.	APVD APP.		
O		See drawings proner comatel 4252E200 and 4252E201		14-june-02	PF s	JDr		
A		See EC number ER00-9019-02		14-june-02	PF s	JDr		
B		Add inc jet (day/year)		29-sept-06	PF s	JDr		
C		UPDATE 3D VIEW OF COMPONENT "B"		10AUG2011	PF s	JDr		



5 ALVEOLES POUR CLIPS 6.35NGI
 5 CAVITIES FOR 6.35NGI TERMINALS
 Ø 0.6 A B C



NOTA / NOTE :
 - CONDITIONNEMENT, VOIR 107-15595
 - PACKAGING, SEE 107-15595



REFERENCES / PART NUMBER	
1544551-2	1544551-1
ETRIER DU COTE REPERE 1 SLIDER IN CAVITY NUMBER 1 SIDE	ETRIER DU COTE REPERE 5 SLIDER IN CAVITY NUMBER 5 SIDE

REPERE REPERE	DESIGNATION DESCRIPTION	MATIERE MATERIAL	COULEUR COLOUR	Qte. Qty.
C	VERROU SECONDAIRE SECONDARY LOCKING	PBT GF 10	JAUNE YELLOW	1
B	ETRIER SLIDER	PBT GF 10	GRIS GREY	1
A	PORTE CLIPS TERMINAL RECEPTACLE HOUSING	PBT GF 10	NOIR BLACK	1

THIS DRAWING IS A CONTROLLED DOCUMENT. CE PLAN EST UN DOCUMENT CONTROLE PAR TYCO ELECTRONICS. IL EST INSCRIPTIBLE D'UNE REVISE. CONTACTER LE SERVICE TECHNIQUE DE TYCO ELECTRONICS POUR OBTENIR LA DERNIERE REVISION.		DWN / DESSINE P. FLORES 14 JUN 02	STE TE Connectivity
DIMENSIONS: mm		CHK / VERIFIE C. GINET 14 JUN 02	
TOLERANCES UNLESS OTHERWISE SPECIFIED: TOLERANCES NON SPECIFIEES (SAUF NB DE DECIMALES) mm		APVD / APPROUVE J. DAHER 14 JUN 02	
MATERIAL / MATIERE see table		NAME / TITRE CONNECTEUR 5V CLIPS 6.35NGI CONNECTOR 5 WAY FOR 6.35NGI TERMINAL	
FINISH / FINITION		PRODUCT SPEC 108-15368	SIZE / FORMAT A2
ANGLES		SPEC. APPLICATION 411-15658	CAGE CODE 00779
WEIGHT / MASSE APPROX. 0.027 kg		DRAWING NO C=1544551	RESTRICTED TO RESERVE A
CUSTOMER DRAWING / PLAN CLIENT		UNIQUEMENT POUR REFERENCE	SCALE / ECHELLE 2:1
		SHEET / FEUILLE 1 DE 1	REV C