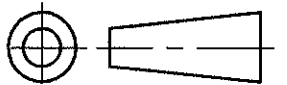


DO NOT SCALE

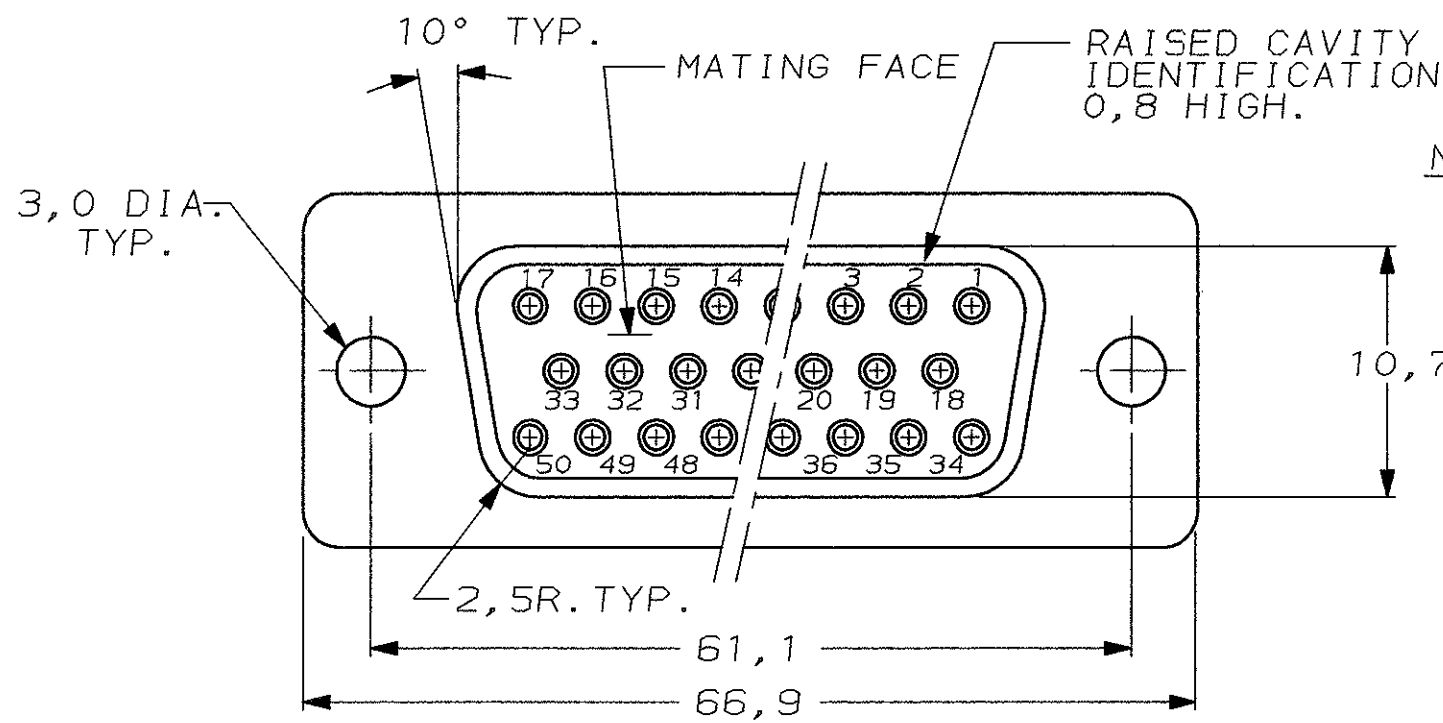
DIMENSIONS IN mm

METRIC

THIRD ANGLE
PROJECTION



- NOTES: 1 THIS RECEPTACLE ACCEPTS SIZE 20 REC. CONTACTS.
 2 MAXIMUM WIRE INSULATION RECOMMENDED FOR USE WITH THIS RECEPTACLE IS 1,73 DIA. MAX..
 3 RETENTION TINES ARE AN INTEGRAL PART OF INSERT.
 4 FOLLOWING INSERTION/REMOVAL TOOLS ARE RECOMMENDED FOR USE WITH THESE CONNECTORS:
- | 32-28AWG/28-24AWG CONT's | 24-20AWG CONTACTS |
|---------------------------|---------------------------|
| 91067-3 INSERTION/REMOVAL | 91067-2 INSERTION/REMOVAL |
| 726363-1 INSERTION ONLY | 726363-1 INSERTION ONLY |
| | 726364-1 REMOVAL ONLY |



FRONT SHELL
STEEL, BRIGHT TIN PLATED.

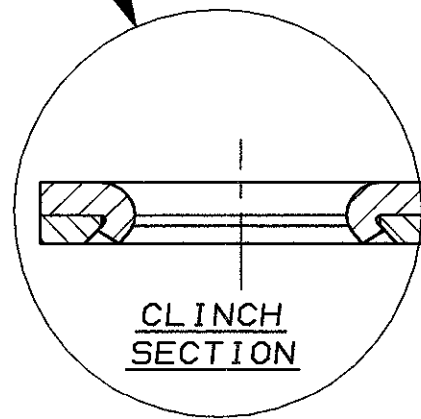
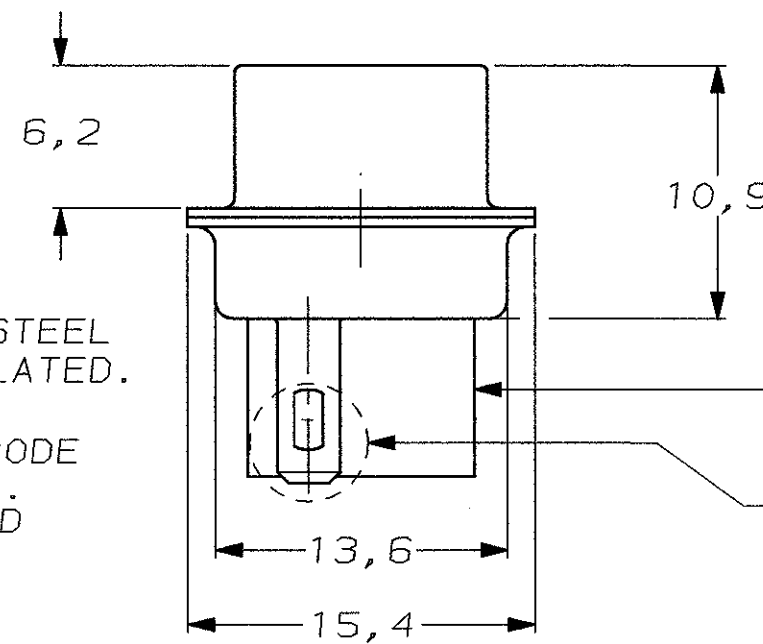
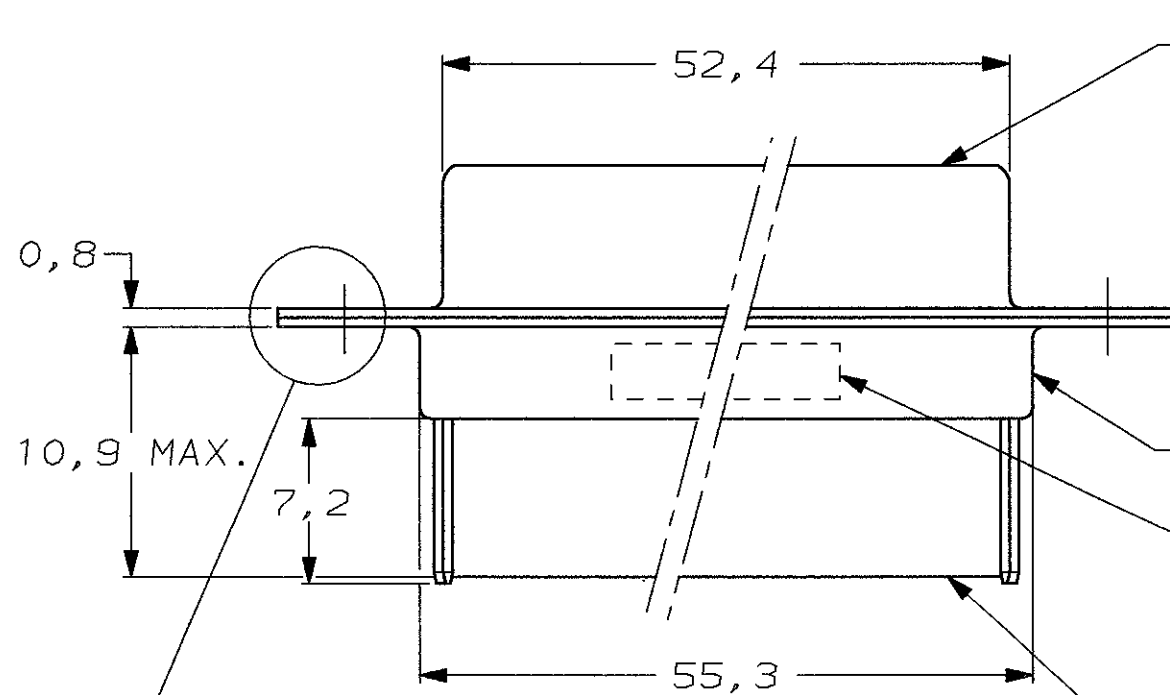
REAR SHELL, STEEL
BRIGHT TIN PLATED.

AMP DATE CODE
AMP PARTNO.
INK STAMPED

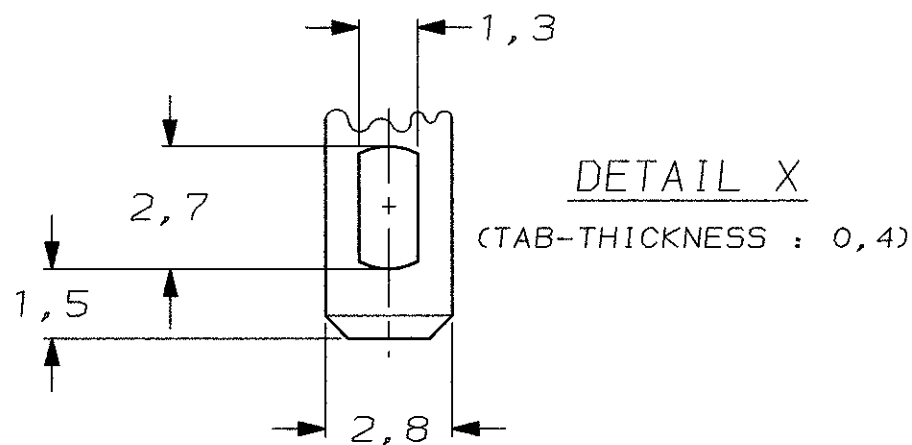
RAISED CAVITY
IDENTIFICATION

INSERTS: NYLON
GLASS-FILLED
SELF-EXTINGUISHING
COLOR: BLACK

SEE DETAIL X



CLINCH
SECTION



DETAIL X

(TAB-THICKNESS : 0,4)

SEE DRAWING	SEE DRAWING	
FINISH	MATERIAL	PARTNUMBER
-	-	-
CUSTOMER DRAWING		FOR REFERENCE ONLY WILL NOT BE UPDATED
© COPYRIGHT 19- BY AMP HOLLAND B.V. ALL INTERNATIONAL RIGHTS RESERVED. AMP PRODUCTS MAY BE COVERED BY U.S. AND FOREIGN AND/OR PATENTS PENDING. THIS DRAWING IS UNPUBLISHED RELEASED FOR PUBLICATION _____, 19____		
AMP		AMP HOLLAND B.V. 's-Hertogenbosch, The Netherlands.
B	EH-0334-96	RI.V R.F. 05 MAR 96
LTR.	REVISION RECORD	DR. CHK. DATE
DR. : L.V.D.HEIJDEN	CHK. : C.V.TILBURG.	APP. : L.V.SOEST.
DATE: 29.06.87	DATE: 07-07-87	DATE: 28-07-87
DWG.No. C-215718		REV.LTR. B
		SHEET 1 OF 1