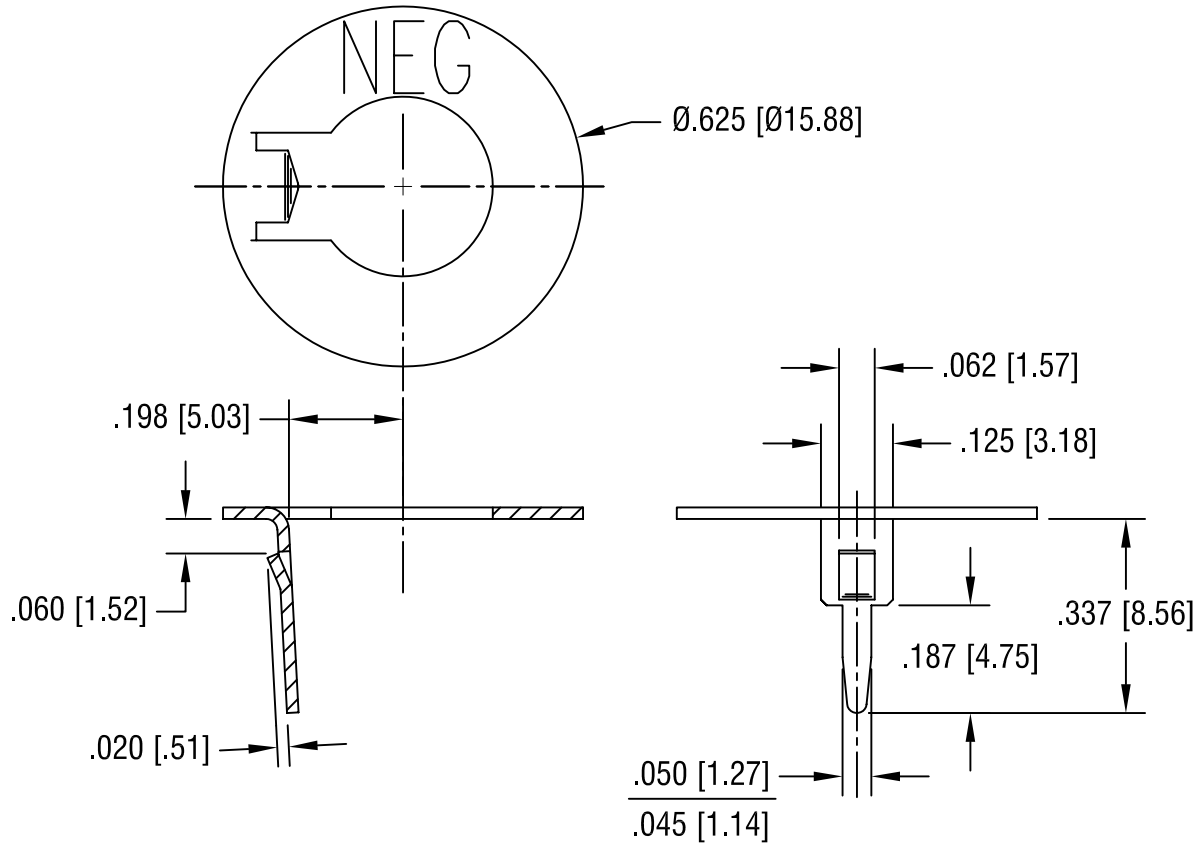


THIS DOCUMENT IS THE PROPERTY OF
KEYSTONE ELECTRONICS CORP. AND
SHALL NOT BE REPRODUCED, DISTRIBUTED
OR USED AS A BASIS FOR MANUFACTURE
WITHOUT PRIOR WRITTEN PERMISSION
FROM KEYSTONE ELECTRONICS CORP.



NOTE:
1. HEAT TREAT TO SPRING TEMPER

KEYSTONE ELECTRONICS CORP.			
ASTORIA, N.Y. 11105-2017			
PART NAME		BOTTOM CONTACT	
MATERIAL			
.020 [.50] TH'K ANNEALED SPRING STEEL			
FINISH		DRN BY	DATE
TIN NICKEL PLATE		BOONE	5.17.84
		APP'D	SCALE
		LN	3X
TOLERANCES		INCH	[MM]
DECIMAL		± .005	[± 0.15]
ANGULAR		± 1°	
UNLESS OTHERWISE SPECIFIED			
DATE		CODE	DWG NO.
9.10.04		E	105-3
CHANGE AS PER ECN 04-090		REV.	
DESCRIPTION			

DATE	DESCRIPTION	REV.
9.10.04	CHANGE AS PER ECN 04-090	E