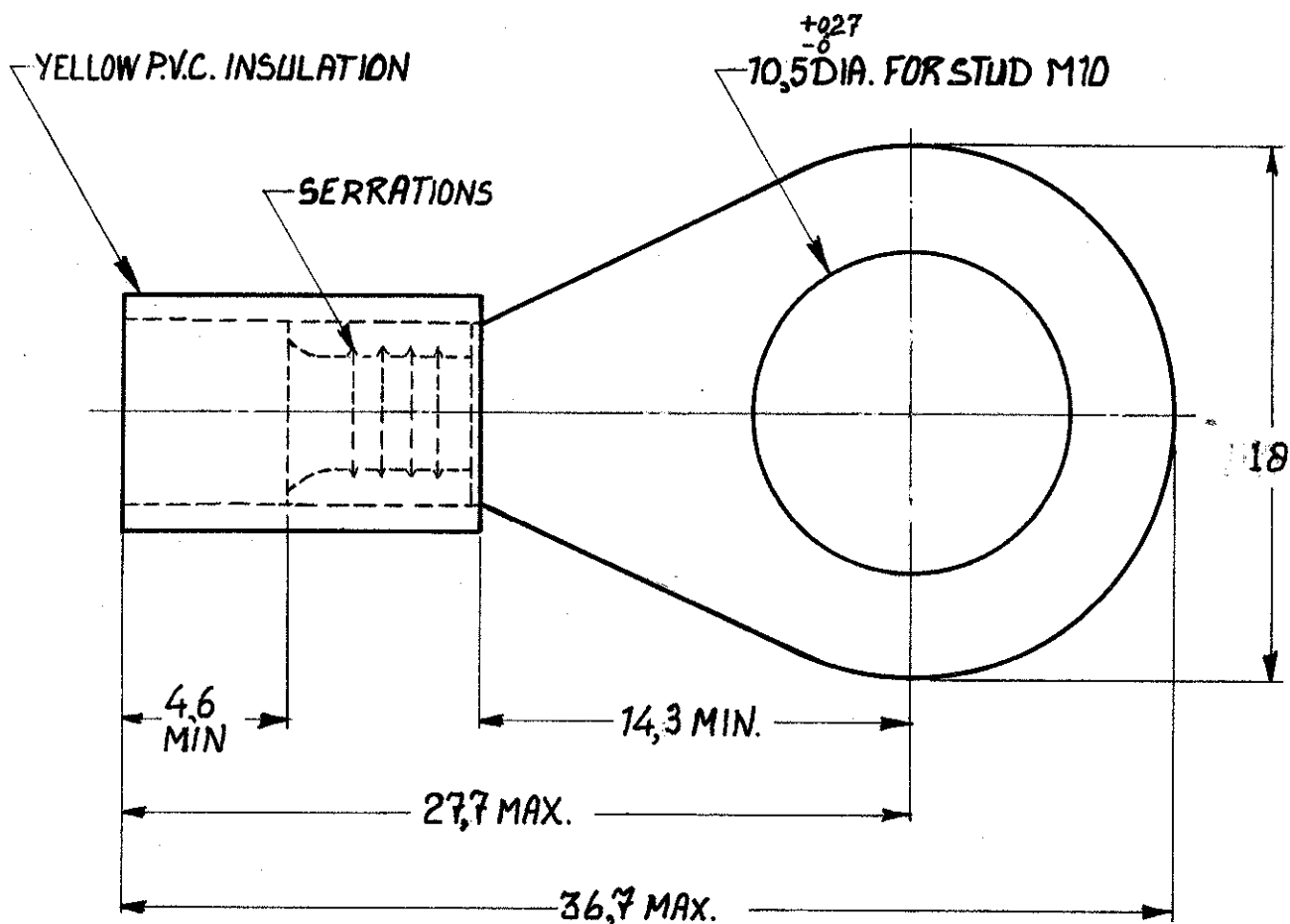


NUMBER C-165416-E



TONGUE MATERIAL THICKNESS: 1.0

CUSTOMER COPY FOR REFERENCE ONLY

©1970 BY AMP-HOLLAND N.V. ALL RIGHTS RESERVED A-MP PRODUCTS COVERED BY PATENTS AND/OR PATENTS PENDING.



AMP-HOLLAND N.V.
's-HERTOGENBOSCH
HOLLAND

WIRE-RANGE 4-6 mm ²	INSUL.-RANGE 5,6 DIA. MAX.	TYPE DIN PLASTI-GRIP
-----------------------------------	-------------------------------	----------------------------

SCALE 4:1	LOC H	SIZE A	NO C-165416-E	REV 0
--------------	----------	-----------	------------------	----------

NAME INSULATED RINGTONGUE for stud M10

165416	COPPER	TIN
ORDER NO.	MATERIAL	PLATING
DR R. Dimer 3/11-70	DATE	DE
CHK	DATE	APR 16/11-1970

REV B 30-8-85
DIMENSIONS IN M.M. DO NOT SCALE PRINT