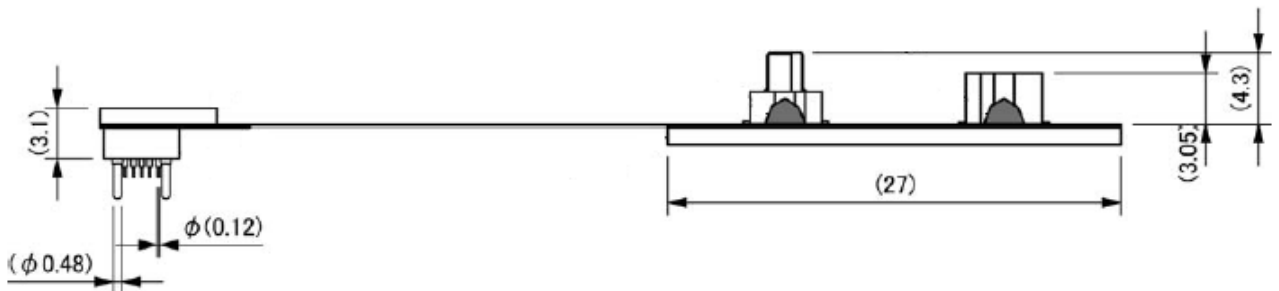
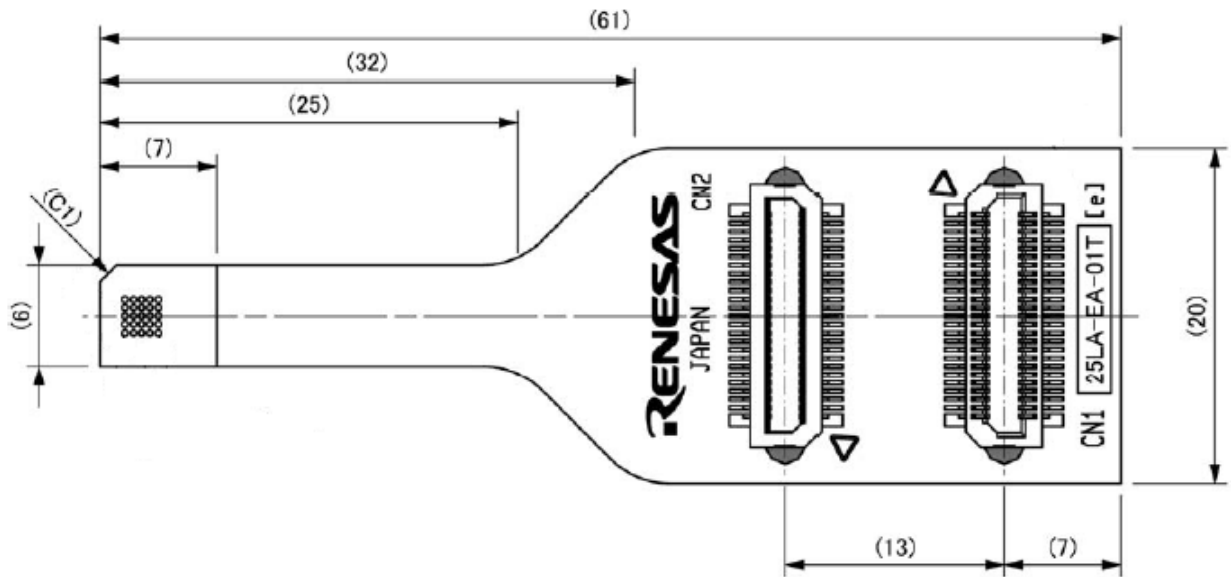


Unit: mm

< Top view >



< Bottom view >

