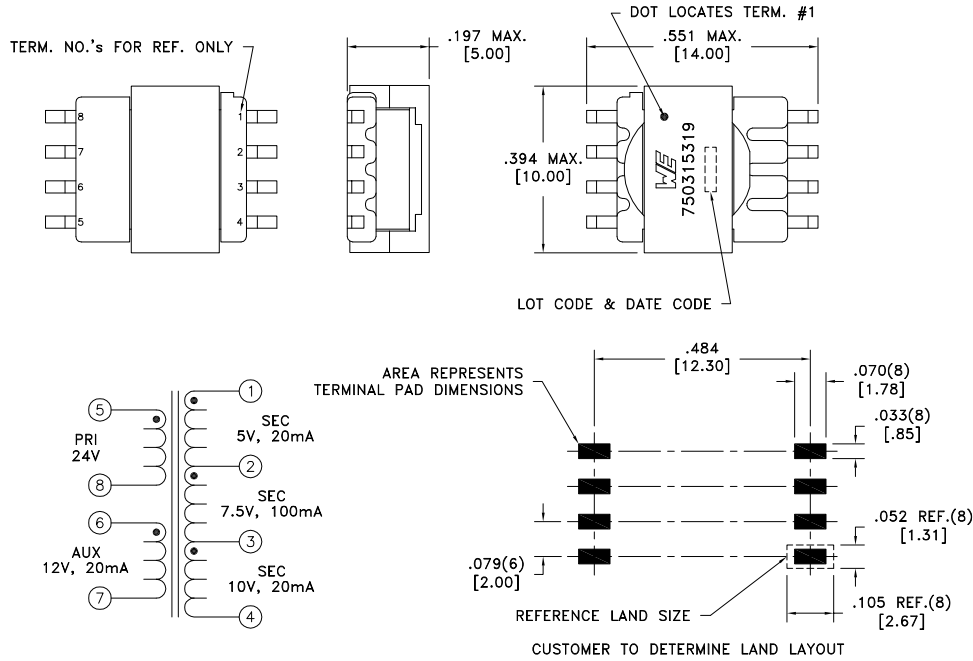


CUSTOMER TERMINAL	RoHS	LEAD(Pb)-FREE
Sn96%, Ag4%	Yes	Yes

more than you expect



ELECTRICAL SPECIFICATIONS @ 25°C unless otherwise noted:

PARAMETER	TEST CONDITIONS	VALUE
D.C. RESISTANCE	1-2 @20°C	0.438 ohms ±10%
D.C. RESISTANCE	2-3 @20°C	0.290 ohms ±10%
D.C. RESISTANCE	3-4 @20°C	0.840 ohms ±10%
D.C. RESISTANCE	6-7 @20°C	1.12 ohms ±10%
D.C. RESISTANCE	5-8 @20°C	1.90 ohms ±10%
INDUCTANCE	5-8 10kHz, 100mVAC, Ls	300uH ±20%
SATURATION CURRENT	20% rolloff from initial	150mA
LEAKAGE INDUCTANCE	5-8 tie(6+7, 1+2+3+4), 100kHz, 100mVAC, Ls	1.0uH typ., 2.0uH max.
DIELECTRIC	1-8 tie(5+6), 3750VDC, 1 second	3000VDC, 1 minute
TURNS RATIO	(5-8):(6-7)	2:1, ±1%
TURNS RATIO	(5-8):(1-2)	4.57:1, ±1%
TURNS RATIO	(5-8):(2-3)	3.56:1, ±1%
TURNS RATIO	(5-8):(3-4)	2.46:1, ±1%

GENERAL SPECIFICATIONS:

OPERATING TEMPERATURE RANGE: -40°C to +125°C including temp rise.

Wire insulation & RoHS status not affected by wire color.  
Wire insulation color may vary depending on availability.

REV.	DATE	Packaging Specifications Method: <b>Tape &amp; Reel</b> PKG-1042 www.we-online.com/midcom		Tolerances unless otherwise specified: Angles: ±1° Fractions: ±1/64 Decimals: ±.005 [.13] Footprint: ±.005 [.13]	DRAWING TITLE <b>TRANSFORMER</b>	PART NO. <b>750315319</b>
6A	8/15	SEE REVISION SHEET FOR REVISION LEVEL	CONVENTION PLACEMENT	This drawing is dual dimensioned. Dimensions in brackets are in millimeters.	eiSos p/n: 750315319	SPECIFICATION SHEET 1 OF 1