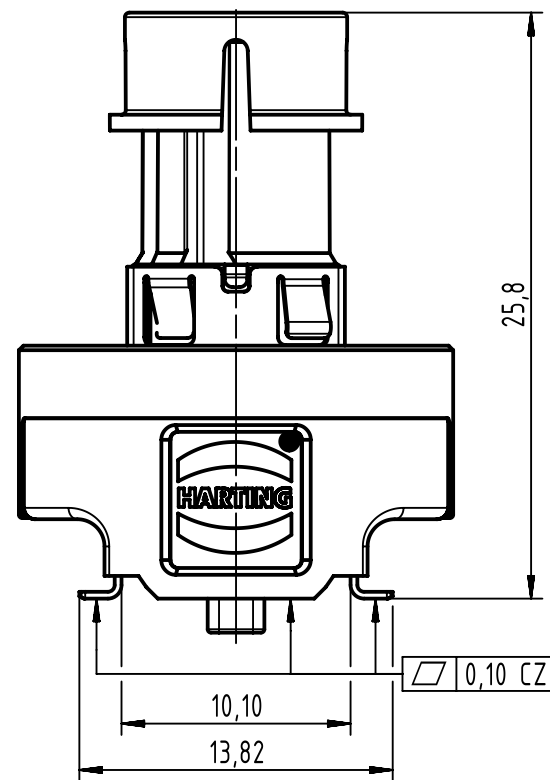
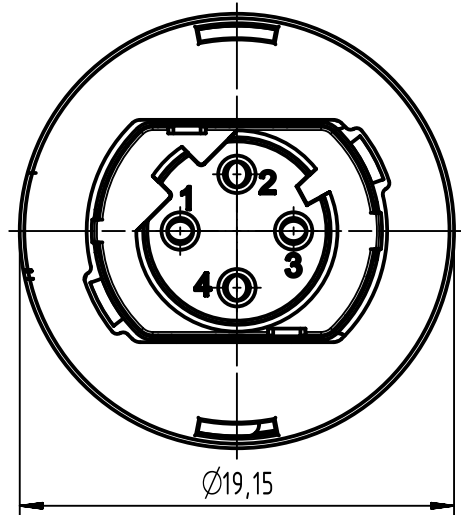
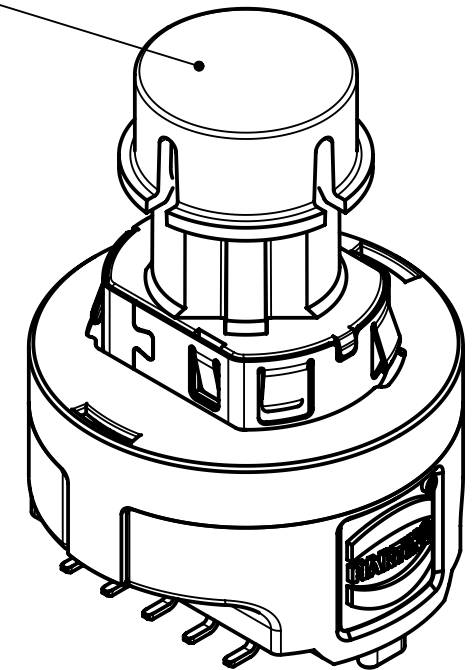


mating face based on
IEC 61076-2-101



Pick & place cap



Further information see data sheet: 21033810101

	All rights reserved Department EC PD - CN HARTING Electronics GmbH D-32339 Espelkamp	All Dimensions in mm Original Size DIN A3		Scale 2:1	Free size tol.	Ref. Sub.
		Created by CHENSK	Inspected by CHENSK	Standardisation HOFFMANN	Date 2017-05-24	State Final Release
		Title M12 transformer recept D-coded straight w/o PoE				Doc-Key / ECM-Nr. 100696795/UGD/003/B 500000117439
		Type TB	Number 21033812410		Rev. B	Page 1/1