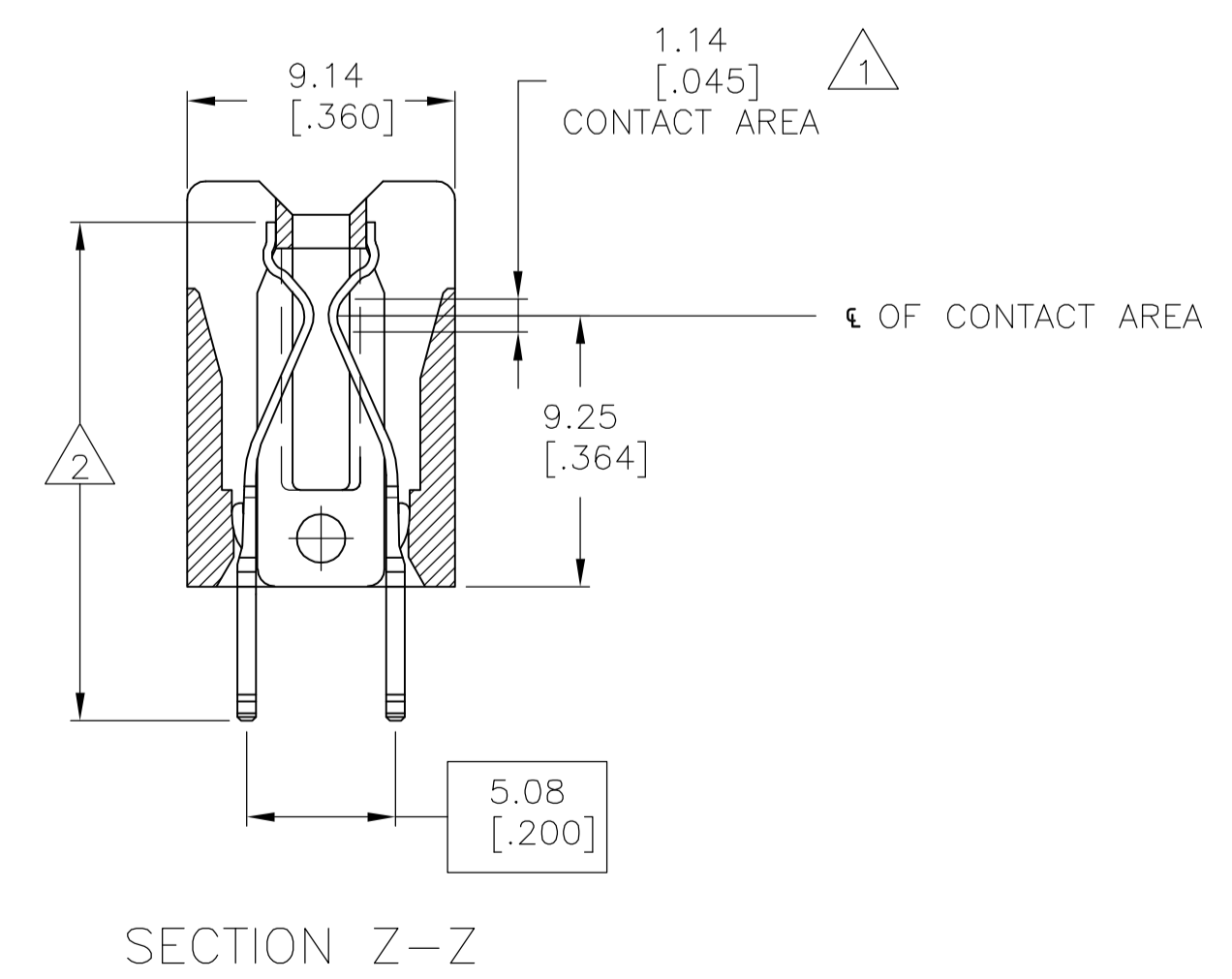
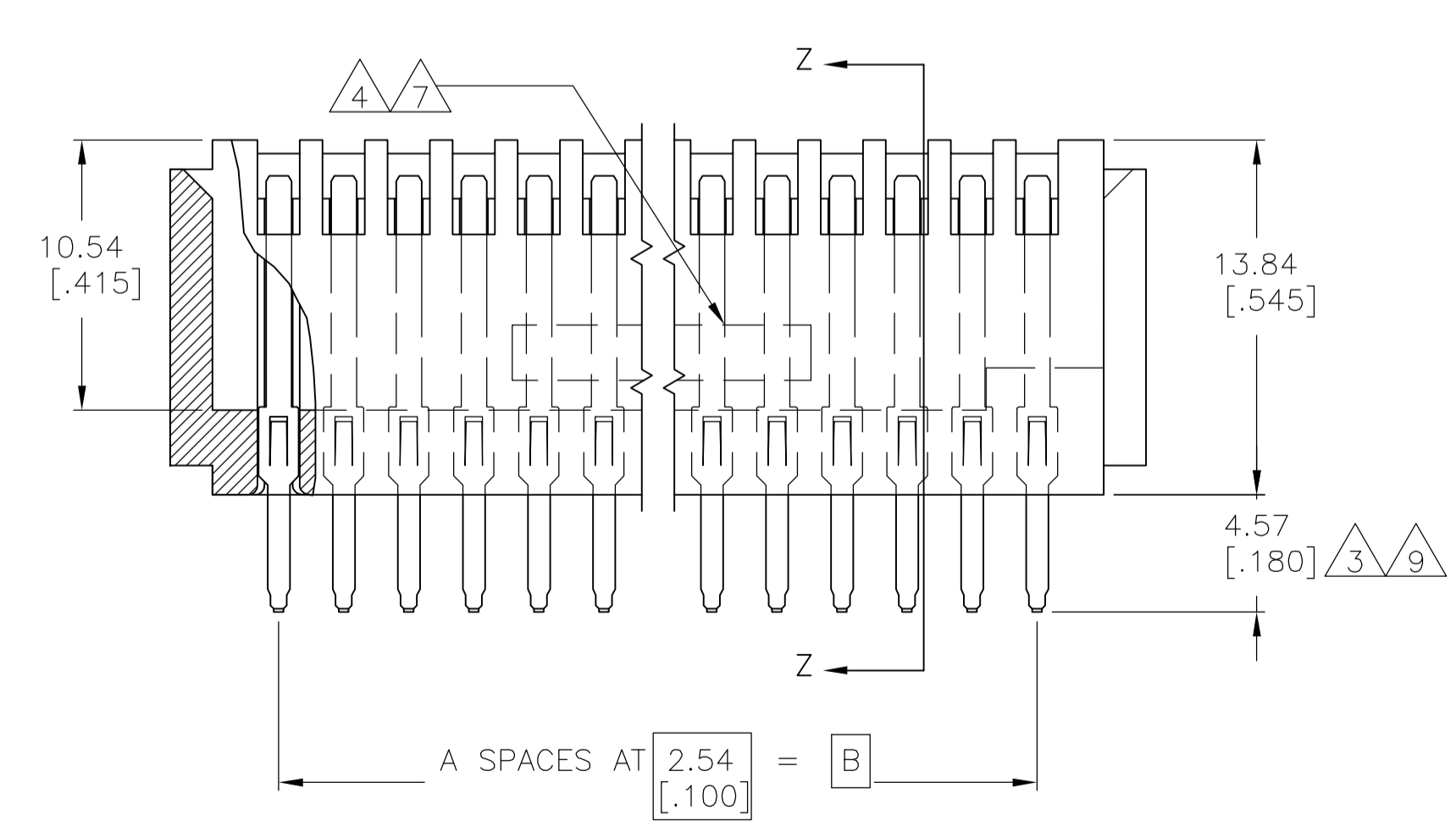
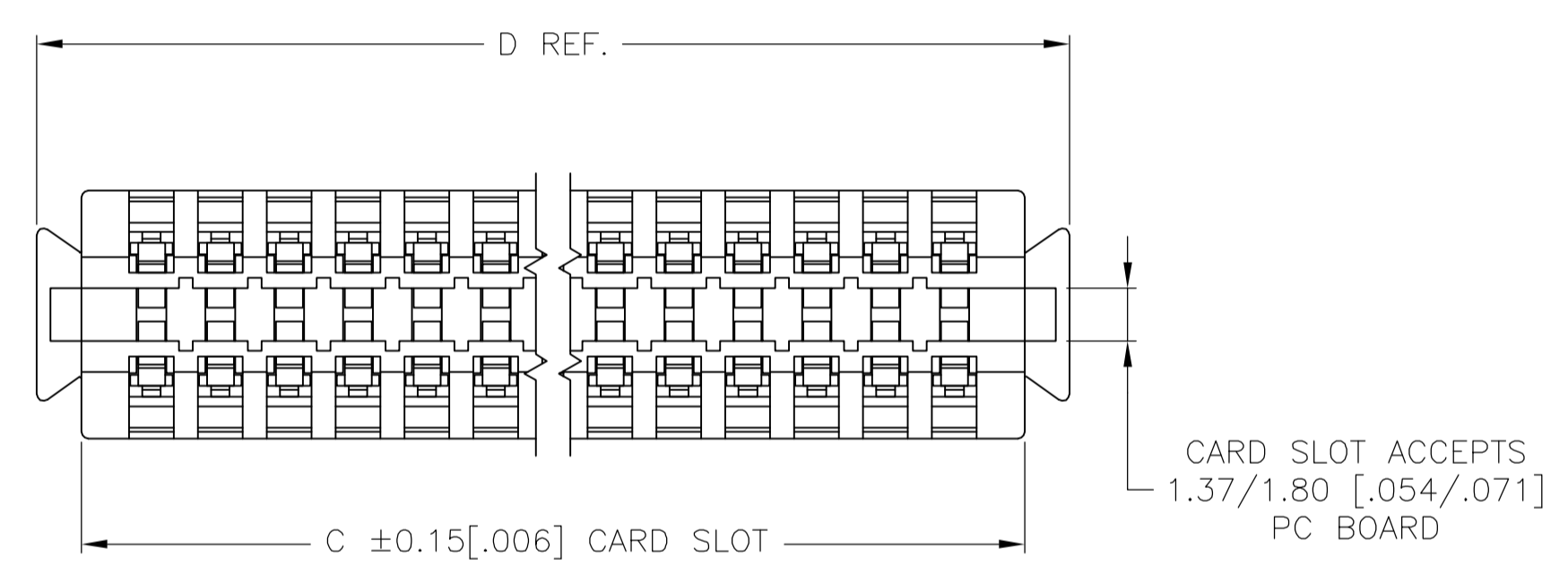


- 1 GOLD PLATE .00076 [.000030] MIN. THICK.
- 2 NICKEL PL .00127 [.000050] MIN. THK. PER QQ-N-290
- 3 SOLDER PL .00076 [.000030] MIN. THK.
- 4 STAMPED P/N & DATE CODE.
- 5 OPTIONAL: KEYING PLUG FOR INTERCONTACT KEYING IS 118982-1.
- 6. OPTIONAL: CARD GUIDE (BASE NO 117169)
- 7 ALL PARTS ASSEMBLED IN MEXICO MUST BE STAMPED "ASSY IN MEXICO". THE WORD "MEXICO" CAN BE SUBSTITUTED ONLY WHERE PART SIZE PROHIBITS STAMPING "ASSY IN MEXICO", INK PER 115-9009, APPROX WHERE SHOWN, SIDE OPTIONAL.
- 8 HOUSING: VALOX 420 SEO, BLACK. POST: PHOSPHOR BRONZE.
- 9 MATTE TIN PL .00076 [.000030] MIN. THK.



87.22 [3.434]	83.92 [3.304]	78.74 [3.100]	31	32	5-678046-1
87.22 [3.434]	83.92 [3.304]	78.74 [3.100]	31	32	678046-1
D		C		B	
A POSN.		PART NO			

THIS DRAWING IS A CONTROLLED DOCUMENT.		DIN B HAYMAKER 13MAY99	 Tyco Electronics Corporation Harrisburg, Pa 17105-3608
DIMENSIONS: mm [INCHES]		CHK M MILLER 13MAY99	
TOLERANCES UNLESS OTHERWISE SPECIFIED:		APVD M MILLER 13MAY99	NAME
0 PLC ± -		PRODUCT SPEC	
1 PLC ± -		APPLICATION SPEC	
2 PLC ± -		SIZE	
3 PLC ± 25(.010)		CAGE CODE	
4 PLC ± -		DRAWING NO	
ANGLES ± ± -		RESTRICTED TO	
MATERIAL	FINISH	WEIGHT	SCALE
8	1 2 3 9	-	4:1
CUSTOMER DRAWING		SHEET 1 OF 1	