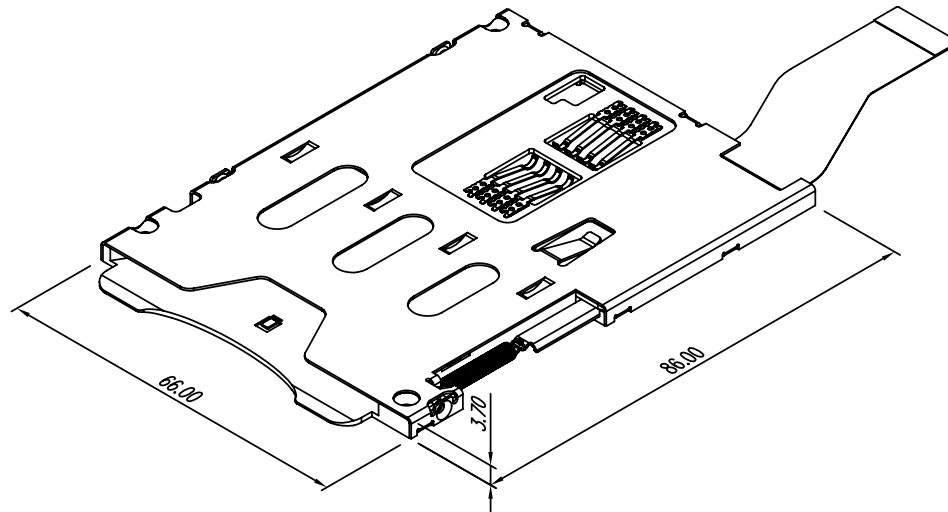


PRODUCT NO.	APPEARANCE	COMPONENTS	FPC	EJECT	PACKAGING	MAIN BODY	REMARK
55640-10101(LF)	BLUE	N/A	52534-002(LF)	55644-001	340391-001	55641-001	
55640-20301(LF)	BLUE	N/A	10115336-001	55644-001	340391-101	55641-001	
55640-23201(LF)	BLUE	10018024-001	52534-004(LF)	55644-001	340391-201	55641-002	
55640-20201(LF)	BLUE	N/A	52534-004(LF)	55644-001	340391-201	55641-002	
55640-20202(LF)	BLUE	10062236-001	52534-004(LF)	55644-001	10062267-02-001	55641-002	
55640-23301(LF)	BLUE	10018024-001	52534-006(LF)	55644-001	340391-201	55641-002	
55640-20211(LF)	BLUE	N/A	52534-004(LF)	55644-002	340391-201	55641-003	FOR MOTOROLA
55640-30201(LF)	BLUE	N/A	10093563-001<FFC>	55644-002	340391-201	55641-002	FOR MITAC



NOTE :

- SMART CARD READER FOR LOWER PROFILE HEIGHT OF 3.6 mm.
- TOTAL CIRCUIT RESISTANCE PER ONE LOOP SHALL NOT EXCEED 200 MILLIOHMS.
- THE INSERTION & EJECTING FORCE < 650g.
- MATERIALS :  
CONTACTS : COPPER ALLOY, GOLD OVER NICKEL ON CONTACT AREA.  
HOUSING : THERMOPLASTIC POLYCARBONATE.  
COVER : STAINLESS STEEL.
- ENVIRONMENT :  
STORAGE TEMPERATURE : FROM -40°C TO 85°C.  
OPERATION TEMPERATURE : FROM -20°C TO 70°C.

- ORDER DATAS : 55640-X X X X X LF  
  - LEAD FREE OPTION
  - PACKAGING
  - EJECT
  - FPC SHAPE
  - CUSTOMIZED COMPONENTS OPTIONS
  - GUIDE PLATE

- IF LEAD FREE P/N, GS-14-920 SHOULD BE APPLIED.
- THIS PRODUCT MEETS EUROPEAN UNION DIRECTIVES AND OTHER COUNTRY REGULATIONS AS DESCRIBED IN GS-22-008.

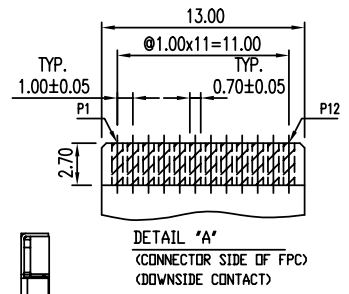
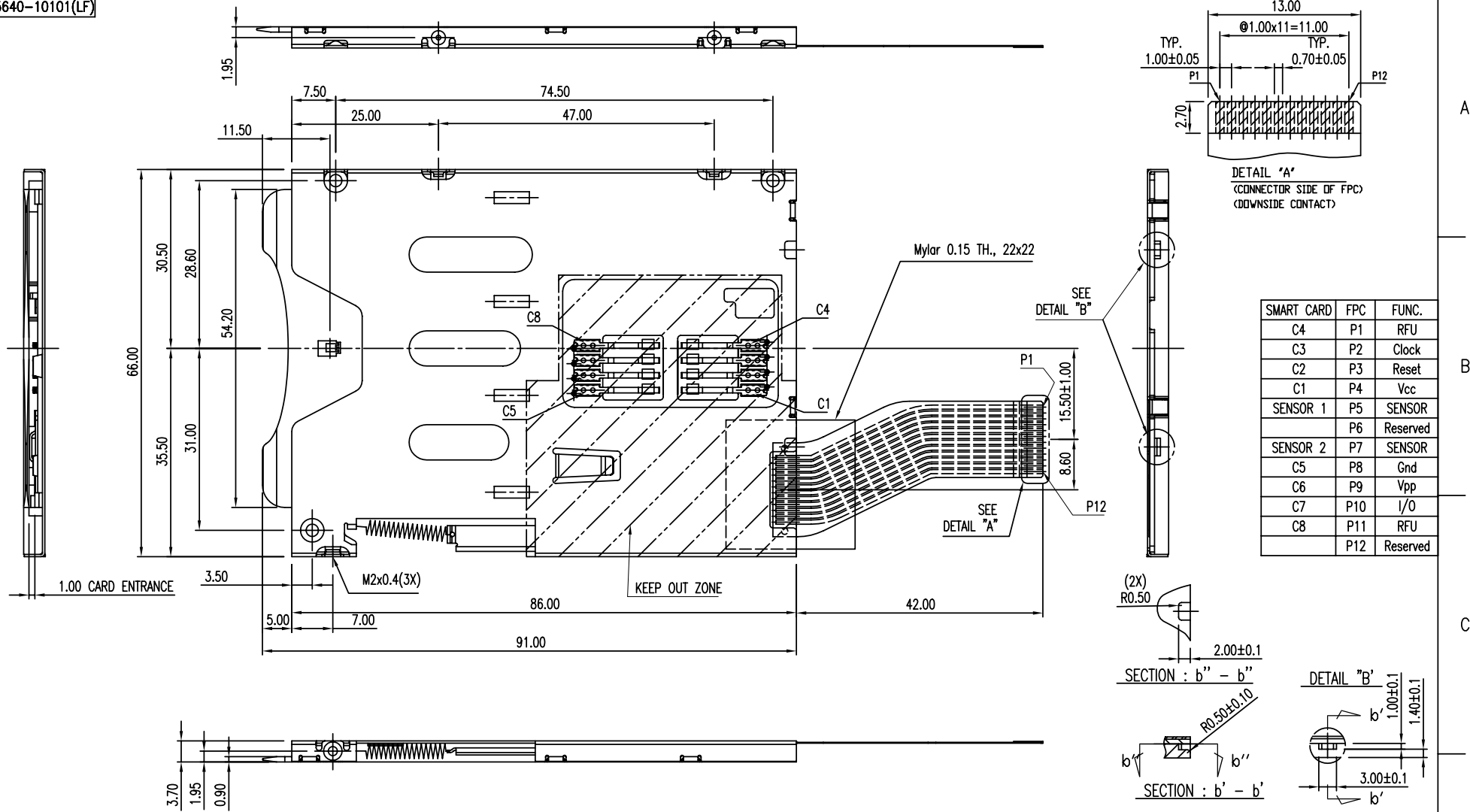


Copyright FCI.

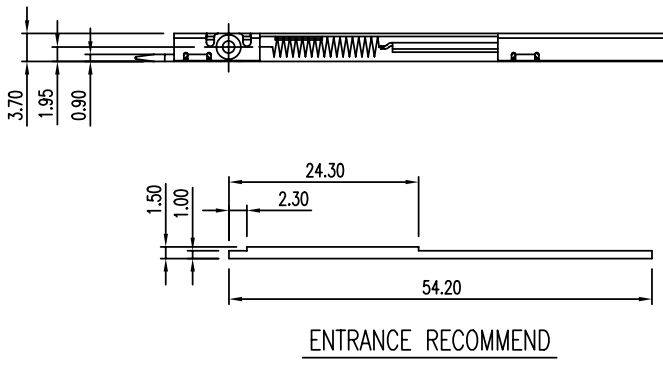
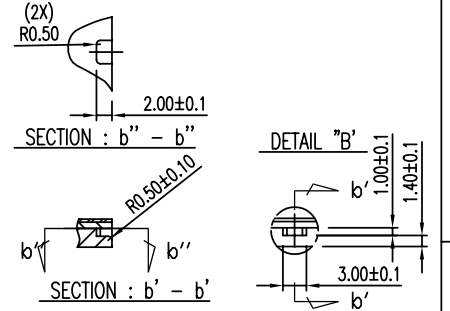
rev	ecn no	dr	date
J	N08-0158	SH	08/01/08
K	N09-0283	SH	26/08/09
L	N10-0227	SH	19/07/10
-	-	-	-
-	-	-	-
-	-	-	-
-	-	-	-

www.fciconnect.com		surface 6.4 ISO 1302	tolerance std ISO 406 ISO 1101	projection ISO 1101	size A4	Scale 1.000
		TOLERANCES UNLESS OTHERWISE SPECIFIED				
Dr	A. JUANG	9/4/00	ANGULAR	0.X	±0.3	
Eng	MINERVA WANG	9/4/00	LINEAR	0.XX	±0.15	
Chr	JOSEPH HSIA	9/4/00	0° ±2°	0.XXX	±0.05	ECN
Appr	JENN TSAD	9/4/00	Product family		Spec ref	
FCI		title SMART PLUS B ASSEMBLY		dwg no 55640		Rev. L
		catalog no		CUSTOMER		sheet 1 of 7

PRODUCT NO.  
55640-10101(LF)



SMART CARD	FPC	FUNC.
C4	P1	RFU
C3	P2	Clock
C2	P3	Reset
C1	P4	Vcc
SENSOR 1	P5	SENSOR
	P6	Reserved
SENSOR 2	P7	SENSOR
C5	P8	Gnd
C6	P9	Vpp
C7	P10	I/O
C8	P11	RFU
	P12	Reserved



www.fciconnect.com		surface ISD 1302 ✓	tolerance std ISD 406 ISD 110	projection ⊕
TOLERANCES UNLESS OTHERWISE SPECIFIED		ANGULAR	LINEAR	size A4
Dr	A. JUANG	9/4/00	0.X	±0.3
Eng	MINERVA WANG	9/4/00	0.XX	±0.15
Chr	JOSEPH HSIA	9/4/00	0°	±2°
Appr	JENN TSAD	9/4/00	0.XXX	±0.05
Product family			Spec ref	
title SMART PLUS B ASSEMBLY		dwg no 55640		Rev. L
catalog no		CUSTOMER		sheet 2 of 7



Copyright FCI.

REV F - 2008-04-17

PRODCUT NO.	DIM A
55640-23201(LF)	40
55640-23301(LF)	60

A

B

C

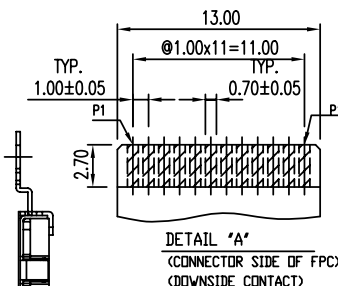
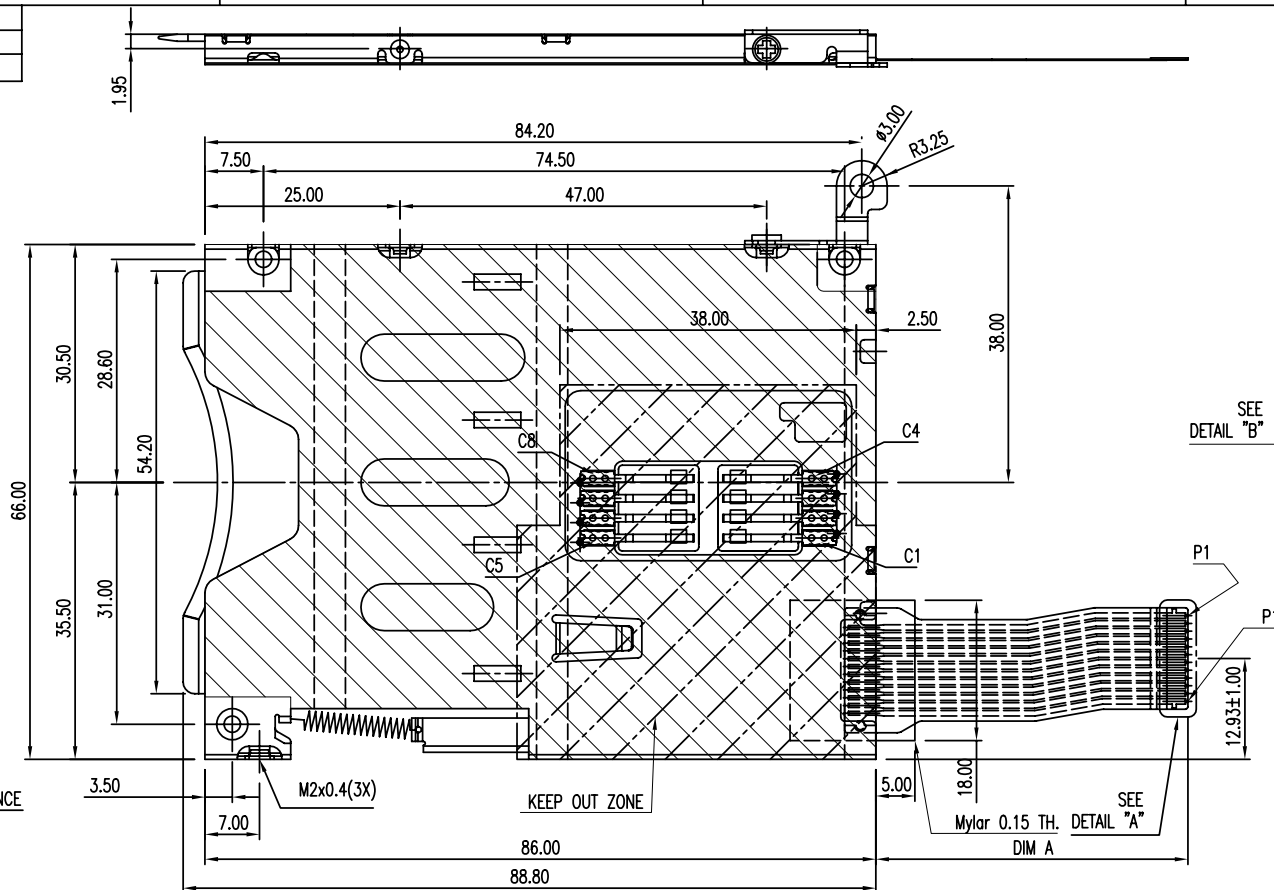
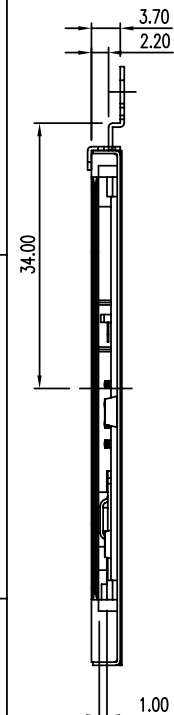
D

1

2

3

4



SMART CARD	FPC	FUNC.
C4	P1	RFU
C3	P2	Clock
C2	P3	Reset
C1	P4	Vcc
SENSOR 1	P5	SENSOR
	P6	Reserved
SENSOR 2	P7	SENSOR
C5	P8	Gnd
C6	P9	Vpp
C7	P10	I/O
C8	P11	RFU
	P12	Reserved



CONTACT SIDE

www.fciconnect.com		surface ISD 1302 ✓	tolerance std ISD 406 ISD 1101	projection ⊕
TOLERANCES UNLESS OTHERWISE SPECIFIED		ANGULAR	LINEAR	size A4
Dr	A. JUANG	9/4/00	0.X ±0.3	Scale 1.000
Eng	MINERVA WANG	9/4/00	0.XX ±0.15	ECN
Chr	JOSEPH HSIA	9/4/00	0.XXX ±0.05	Spec ref
Appr	JENN TSAD	9/4/00	Product family	
FCI		title SMART PLUS B ASSEMBLY		dwg no 55640
catalog no		CUSTOMER		Rev. L
		sheet 3 of 7		

REV F - 2008-04-17

1

2

3

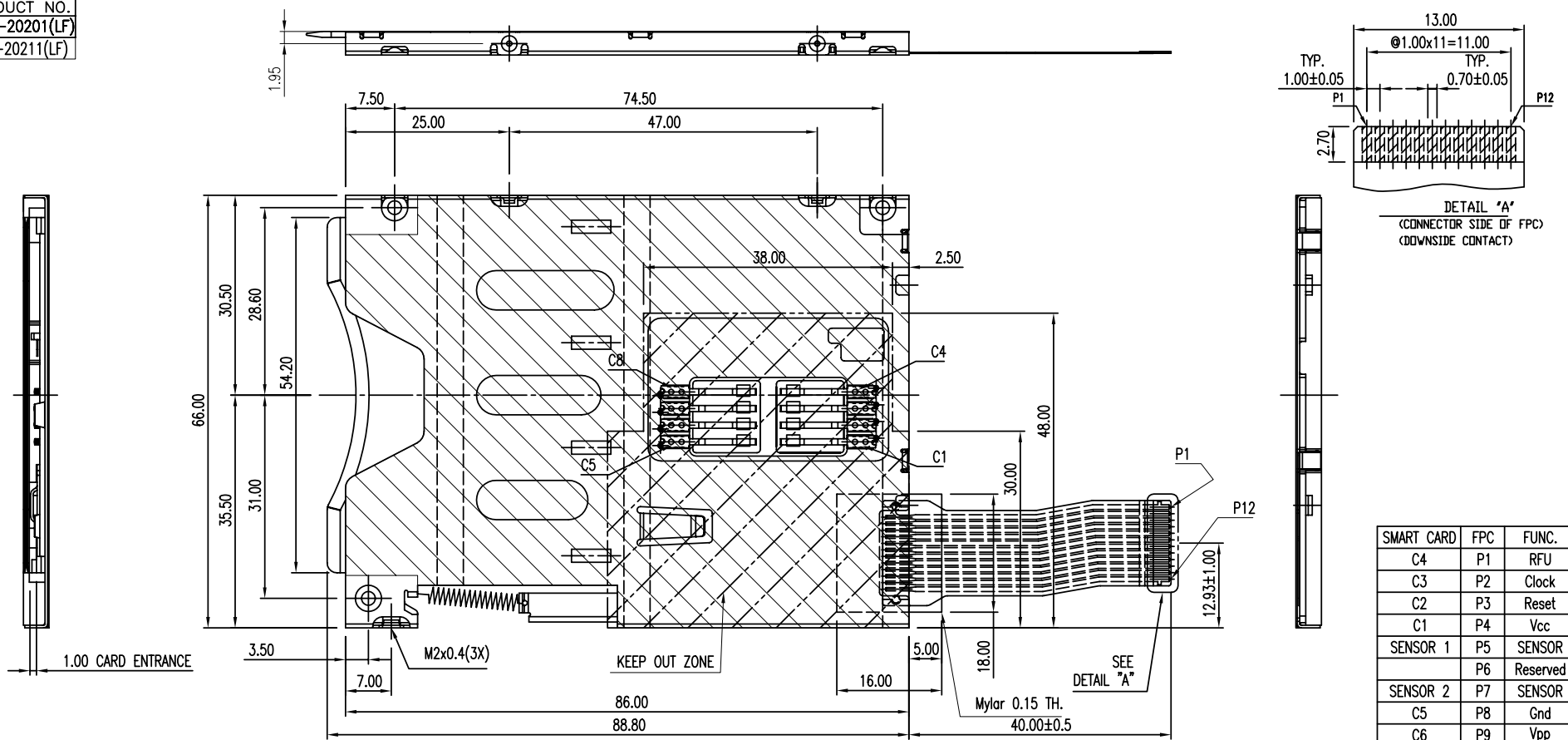
4

PDM: Rev:L

STATUS: Released

Printed: Aug 06, 2010

PRODUCT NO.  
55640-20201(LF)  
55640-20211(LF)



SMART CARD	FPC	FUNC.
C4	P1	RFU
C3	P2	Clock
C2	P3	Reset
C1	P4	Vcc
SENSOR 1	P5	SENSOR
	P6	Reserved
SENSOR 2	P7	SENSOR
C5	P8	Gnd
C6	P9	Vpp
C7	P10	I/O
C8	P11	RFU
	P12	Reserved



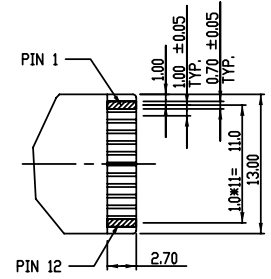
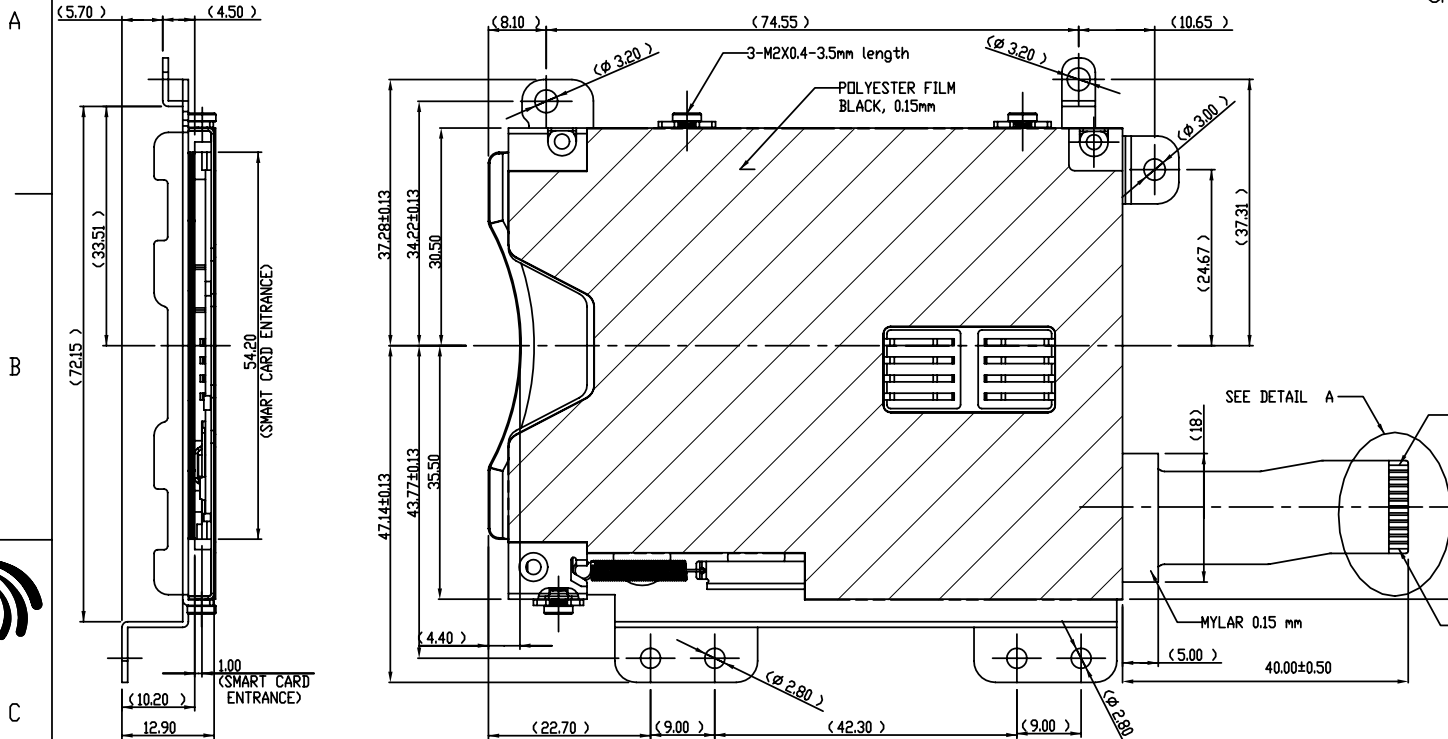
www.fciconnect.com		surface ISD 1302 ✓	tolerance std ISD 406 ISD 1101	projection		
		TOLERANCES UNLESS OTHERWISE SPECIFIED		⊕	←→	
Dr	A. JUANG	9/4/00	ANGULAR	0.X	±0.3	size A4
Eng	MINERVA WANG	9/4/00	LINEAR	0.XX	±0.15	Scale 1.000
Chr	JJOESEPH HSIA	9/4/00	0° ±2°	0.XXX	±0.05	ECN
Appr	JENN TSAD	9/4/00	Product family	Spec ref		
FCj title SMART PLUS B ASSEMBLY		dwg no 55640		Rev. L		
catalog no		CUSTOMER		sheet 4 of 7		

REV F - 2008-04-17

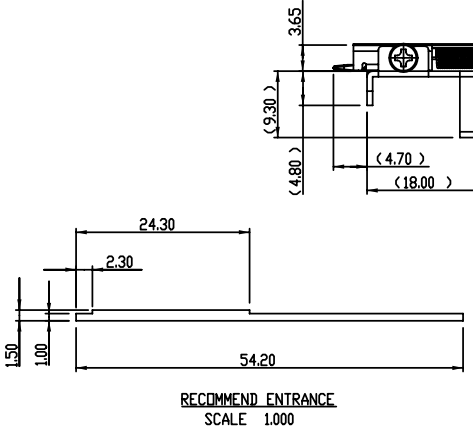


Copyright FCI.

PRODUCT NO  
55640-20202LF



SMART CARD	FPC	FUNC.
C4	P1	RFU
C3	P2	Clock
C2	P3	Reset
C1	P4	Vcc
SENSOR 1	P5	SENSOR
	P6	Reserved
SENSOR 2	P7	SENSOR
C5	P8	Gnd
C6	P9	Vpp
C7	P10	I/O
C8	P11	RFU
	P12	Reserved

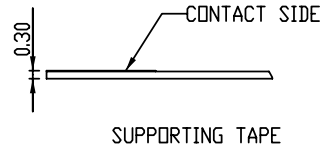


www.fciconnect.com			surface ISO 1302 ✓		tolerance std ISO 406 ISO 1101		projection ⊕		Scale 1.000	
TOLERANCES UNLESS OTHERWISE SPECIFIED						size A4		← →		
Dr	A. JUANG	9/4/00	ANGULAR	0.X	±0.3					
Eng	MINERVA WANG	9/4/00	LINEAR	0.XX	±0.15					
Chr	JOSEPH HSIA	9/4/00	0° ±2°	0.XXX	±0.05	ECN				
Appr	JENN TSAO	9/4/00	Product family			Spec ref				
FCI			title SMART PLUS B ASSEMBLY			eng no 55640		Rev. L		
catalog no			CUSTOMER			sheet 5 of 7				

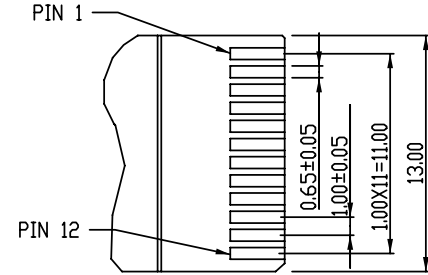


Copyright FCI.

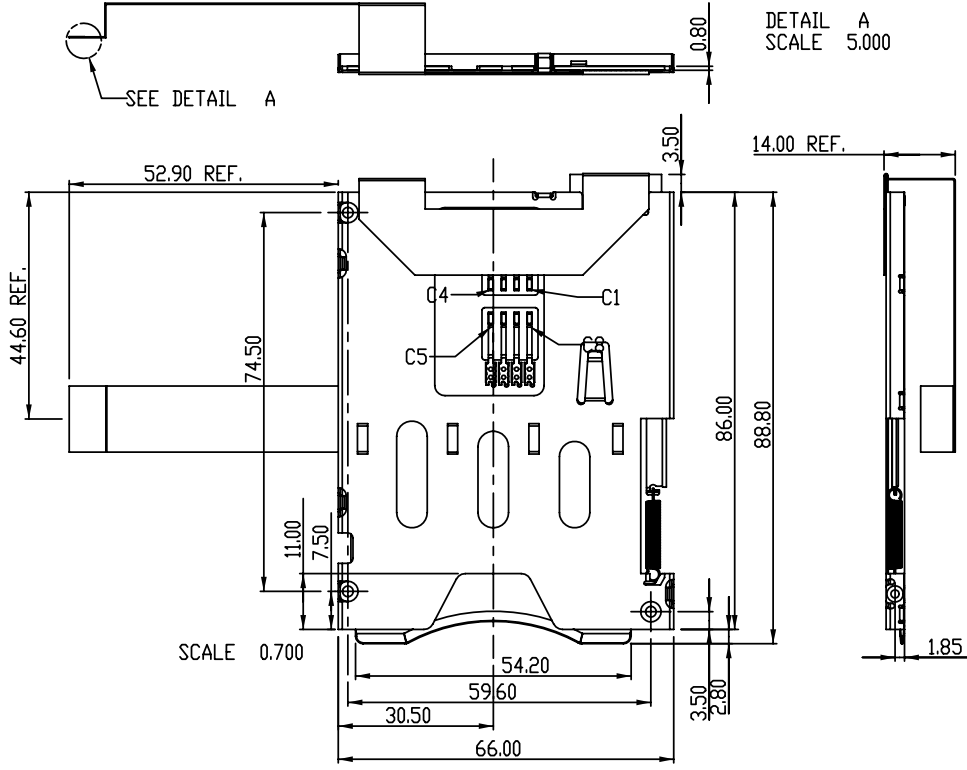
PRODUCT NO.  
55640-30201LF



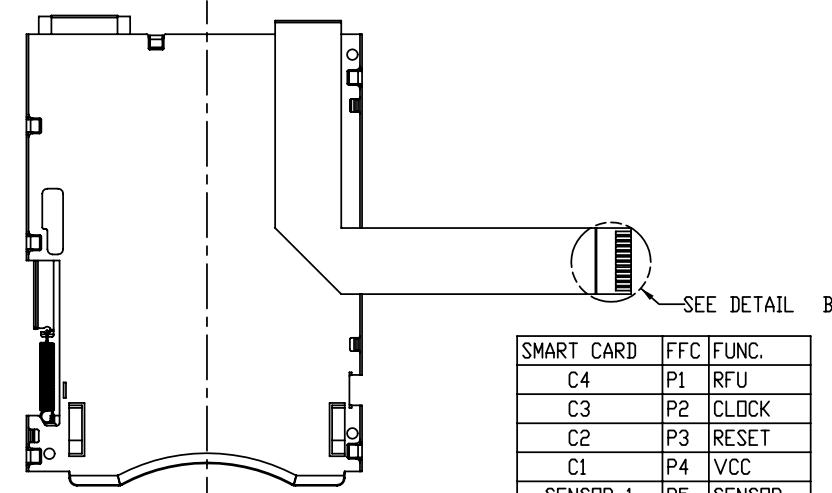
DETAIL A  
SCALE 5.000



DETAIL B  
SCALE 2.500



SCALE 0.700



SEE DETAIL B

SMART CARD	FFC	FUNC.
C4	P1	RFU
C3	P2	CLOCK
C2	P3	RESET
C1	P4	VCC
SENSDR 1	P5	SENSDR
	P6	Reserved
SENSPR 2	P7	SENSDR
C5	P8	GND
C6	P9	VPP
C7	P10	I/O
C8	P11	RFU
	P12	Reserved

www.fciconnect.com		surface ISO 1302 ✓	tolerance std ISO 406 ISO 1101	projection ⊕	size A4	Scale 1,000
		TOLERANCES UNLESS OTHERWISE SPECIFIED				
Dr	A. JUANG	9/4/00	ANGULAR	0.X	±0.3	
Eng	MINERVA WANG	9/4/00	LINEAR	0.XX	±0.15	
Chr	JDESEPH HSIA	9/4/00	0° ±2°	0.XXX	±0.05	ECN
Appr	JENN TSAD	9/4/00	Product family		Spec ref	
		title SMART PLUS B ASSEMBLY		dwg no 55640		Rev. L
catalog no		CUSTOMER		sheet 6 of 7		

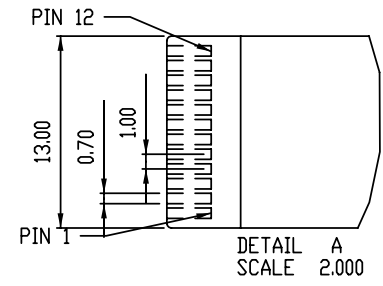
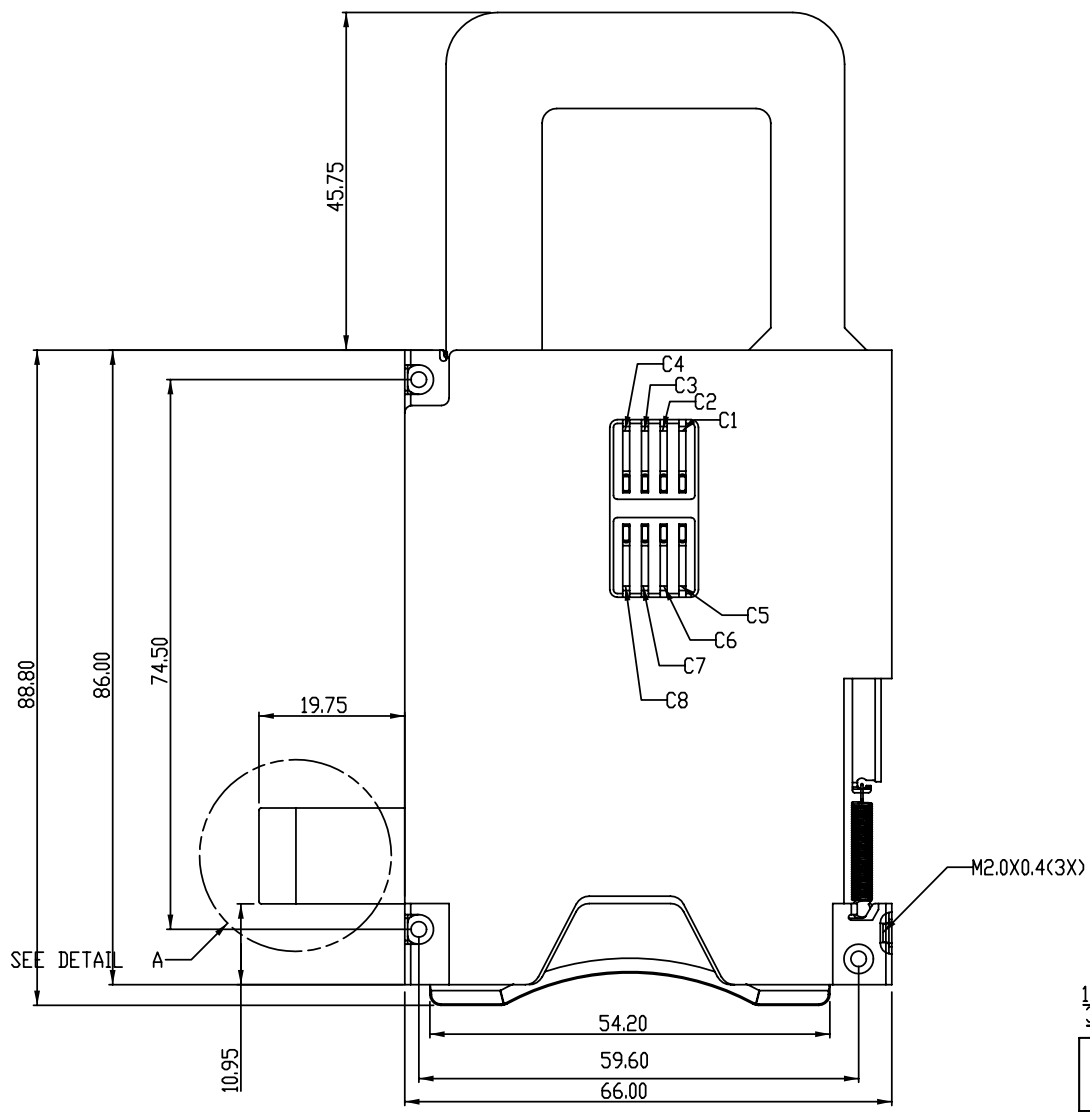


Copyright FCI.



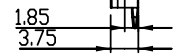
Copyright FCI.

PRODUCT NUMBER  
55640-20301LF



SMART CARD	FPC	FUNC.
C4	P1	RFU 4
C3	P2	CLOCK
C2	P3	RESET
C1	P4	Vcc
SENSOR 1	P5	SENSOR
	P6	RESERVED
SENSOR 2	P7	SENSOR
C5	P8	Gnd
C6	P9	Vpp
C7	P10	I/O
C8	P11	RFU 8
	P12	RESERVED

NOTE:  
 1. Material:  
 METAL SHELL: STAINLESS STEEL, T=0.40mm  
 PCB: FR-4, T=0.80mm  
 TERMINAL: PHOSPHOR BRONZE.  
 PLATING SPEC AS BELOW:  
 ALL OVER NICKEL UNDERPLATING  
 PURE TIN PLATING ON CONTACT SURFACE.  
 AND SOLDER TAIL.  
 2. CARD DETECTION SWITCH NORMALLY OPEN WITHOUT MATING CARD



www.fciconnect.com			surface - ✓	tolerance std	projection	
			TOLERANCES UNLESS OTHERWISE SPECIFIED		⊕	↔
Dr	A. JUANG	9/4/00	ANGULAR	0.X	±0.3	size A4
Eng	MINERVA WANG	9/4/00	LINEAR	0.XX	±0.15	Scale 1.000
Chr	JOSEPH HSIA	9/4/00	0° ±2°	0.XXX	±0.05	ECN
Appr	JENN TSAD	9/4/00	Product family	-	Spec ref	
FCI title SMART PLUS B ASSEMBLY			dwg no 55640		Rev. L	
catalog no -			CUSTOMER		sheet 7 of 7	

REV F - 2006-04-17